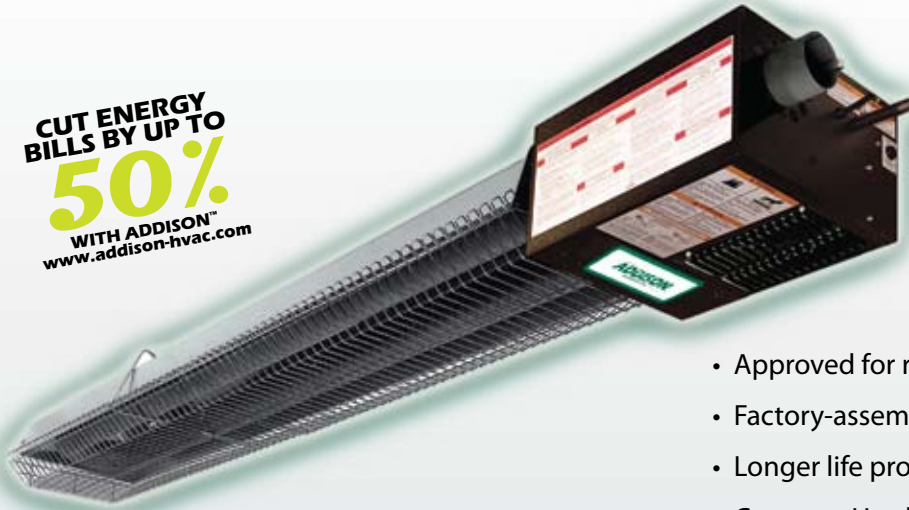


# ADDISON<sup>TM</sup> GH

## CGTH-SERIES

### LIGHT COMMERCIAL, LOW-INTENSITY INFRARED HEATER

CUT ENERGY  
BILLS BY UP TO  
**50%**  
WITH ADDISON<sup>TM</sup>  
www.addison-hvac.com

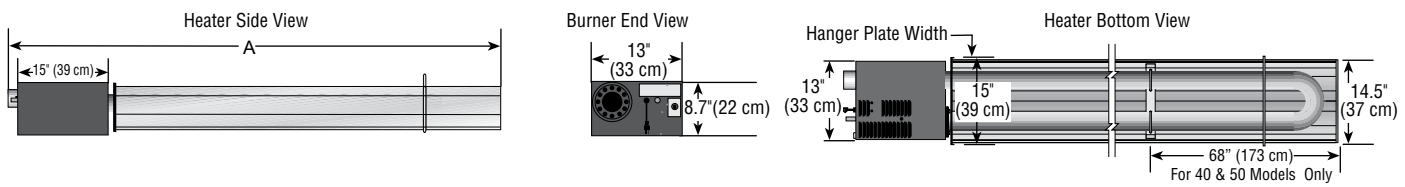


\* Grille included on select models

- Approved for residential and commercial applications
- Factory-assembled for easy installation
- Longer life provided by durable components
- Compact U-tube design provides maximum inputs at minimum lengths
- One building penetration- balanced flue for both exhaust and combustion air
- Ceiling-mounted to free valuable work space below

**www.addison-hvac.com**  
**Telephone: +1.407.292.4400**

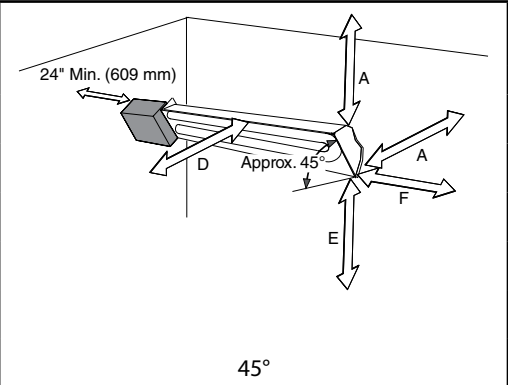
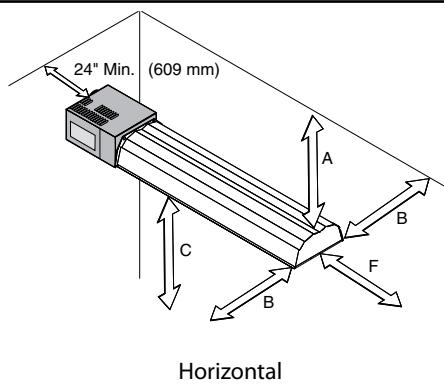




<b>ADDISON™ GH</b>			
<b>Model</b>	<b>CGTH-30</b>	<b>CGTH-40</b>	<b>CGTH-50</b>
<b>Overall Length</b> [ft, in] <b>A</b>	8', 0"	11', 6"	11', 6"
<b>Weights</b> [lb]	85	96	96
<b>Input (Btu/h) x (1,000)</b>	30	40	50
<b>Fuel</b>	Natural Gas (NG) or Propane Gas (LP)		
<b>Inlet Pressure</b> [in wc] <b>NG min.</b>	5		
<b>LPG Propane min.</b>	11		
<b>NG &amp; LPG Propane max.</b>	14		
<b>Gas Connection</b> <b>NPT</b>	3/8" (3/8" Manual Shut-off Valve Included with Heater)		
<b>Minimum Mounting Height</b> [ft]*	7' (Required Safe Distances from Combustibles Must be Maintained)		
<b>Electrical Supply</b>	120 V, 60 Hz, 1 Ø, 1 A (Connection - Cord with 3-Prong Molded Plug)		
<b>Thermostat</b>	Low Voltage, 24 Vac Dual Scale Included with Heater (120 Vac Optional) (Connection - Built-in Receptacle on Heater)		
<b>Heat Exchanger Tubing</b>	3" dia, 16 Gauge, Heat Treated ALUMI-THERM® Steel Tubing		
<b>Exhaust Flue/Vent OD</b> [in]	3" dia/5" dia (Included with Heater)		
<b>Balanced Flue</b>	Vent Collar and Vent Termination Included with Heater		
<b>Flue Length</b> [ft, in]	2', 6" Minimum; 10', 0" Maximum		
<b>Reflector and End Caps</b>	.024 Mill Finish Aluminum		
<b>Ignition</b>	Fully Automatic, Three Try, Direct Spark Electronic Ignition Control, 100% Shut-Off		
<b>Approved As</b>	Indoor Vented Overhead Room Heater		
<b>CSA Standards</b>	ANSI Z21.86 / CSA 2.32		
<b>Warranty</b>	Three-Year Limited (Refer to Installation, Operation and Service Manual for details)		
<b>Options</b>	Roof Venting Kit, 90° Elbow Kit, Wall Venting Kits		

\*The minimum mounting height is 10 ft (3 m) for aircraft hangars and 8 ft (2.4 m) for public garages.

<b>Required Safe Distances from Combustibles**</b> [in]			
<b>Model</b>	<b>CGTH-30</b>	<b>CGTH-40</b>	<b>CGTH-50</b>
<b>A</b>	4	4	4
<b>B</b>	16	18	20
<b>C</b>	36	48	48
<b>D</b>	28	30	32
<b>E</b>	34	34	36
<b>F</b>	6	6	6



\*\* For complete installation, operation and service criteria, please see the current issue of the Installation, Operation and Service Manual.

**ADDISON™**  
**7050 Overland Road**  
**Orlando, FL 32810 U.S.A.**  
**Telephone: +1.407.292.4400**  
**Fax: +1.407.290.1329**  
**www.addison-hvac.com**

**Installation Code and Annual Inspections:** All installation and service of ADDISON™ equipment must be performed by a contractor qualified in the installation and service of equipment sold and supplied by Addison and conform to all requirements set forth in the ADDISON™ manuals and all applicable governmental authorities pertaining to the installation, service and operation of the equipment. To help facilitate optimum performance and safety, Addison recommends that a qualified contractor conduct, at a minimum, annual inspections of your ADDISON™ equipment and perform service where necessary, using only replacement parts sold and supplied by Addison.

**Further Information:** Applications, engineering and detailed guidance on systems design, installation and equipment performance is available through ADDISON™ representatives. Please contact us for any further information you may require, including the Installation, Operation and Service Manual.

**This document is intended to assist licensed professionals in the exercise of their professional judgment.**

© 2009 Addison

All rights reserved. No part of this work covered by the copyrights herein may be reproduced or copied in any form or by any means - graphic, electronic, or mechanical, including photocopying, recording, taping or information storage and retrieval systems - without the written permission of Addison.

Printed in the USA

ADGHSNA

0909 Orig.