



## RCA SERIES AIR COOLED CONDENSING UNITS

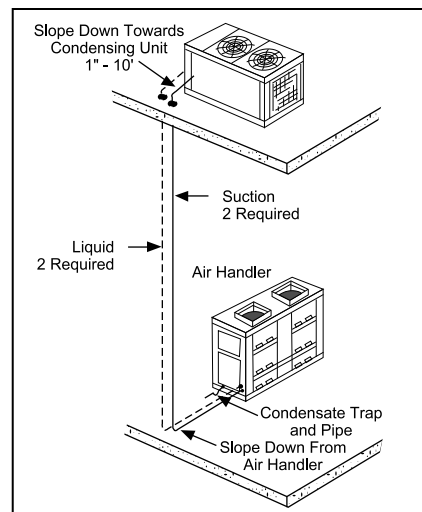
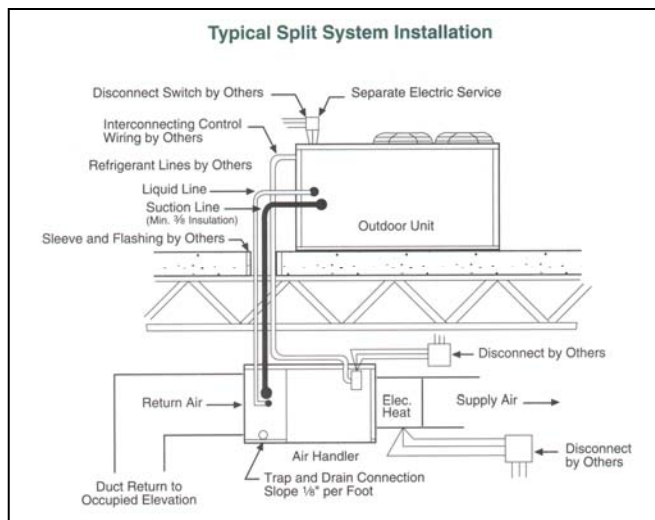
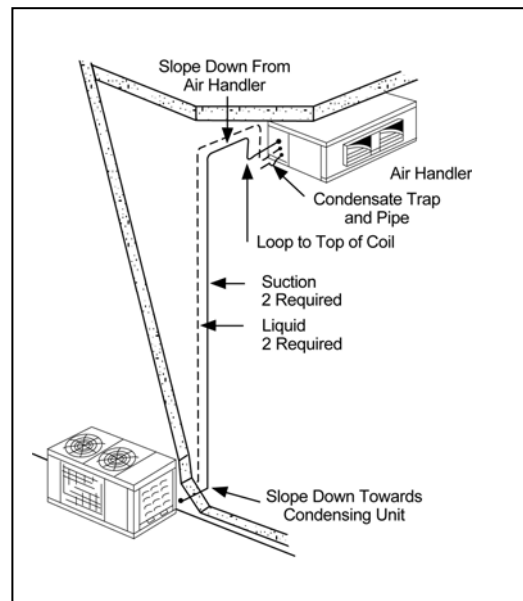
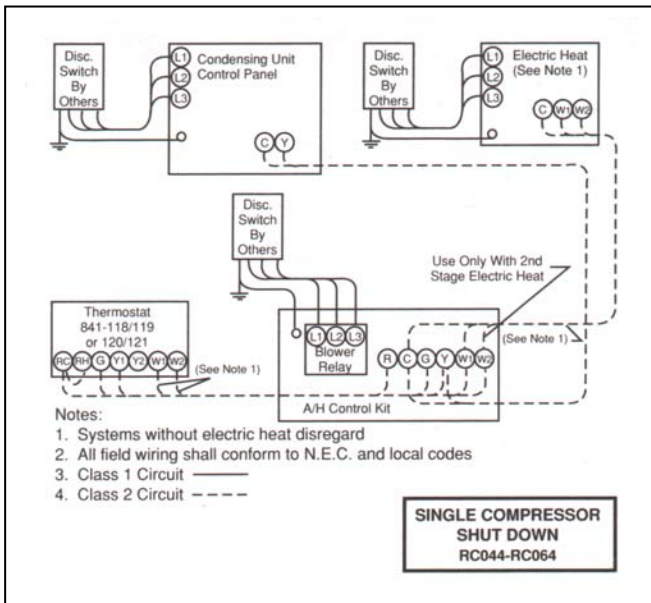
SPECIFICATIONS Rated in Accordance with ARI Standard 210/240		RCA361F			
ELECTRICAL	COOLING	Rated with Optional Air Handler Model	VCA/HCA361 at 5,000 CFM		
		Total BTUH	339,800		
		Sensible BTUH	176,000		
		EER	9.9		
	SERVICE	Voltage-Phase-Hz	—	208/230-3-60	460-3-60
	COMPRESSOR	Type (Qty)	Scroll (1) Tandem configured		
		RLA(ea)	—	53.0	23.8
		LRA(ea)	—	425	187
		IPLV	—		
	CONDENSER FAN MOTOR(S)	Capacity Reduction (Standard)	100/50/25/0		
Qty		3			
FLA (ea)		—	6.2	3.1	
UNIT	Total CFM	18,000			
	RLA	—	124.6	56.9	
	Unit Minimum Circuit Ampacity	—	137.9	62.9	
PHYSICAL DATA	CONDENSER COIL Alum. Fins on Copper Tubes	Max. Time Delay Fuse or HACR Breaker	—	175	80
		Face Area (sq.ft.)	38.5		
		Rows Deep — Fins per Inch	4 — 12		
		Suction Line OD	2 1/8		
		Liquid Line OD	7/8		
		Hot Gas Bypass	7/8		
	WEIGHTS	Optional Hot Gas Reheat to air handler	7/8		
		Optional Hot Gas Return from air handler	7/8		
		Unit (lbs)	1,470		
		Shipping Weight (lbs)	1,600		

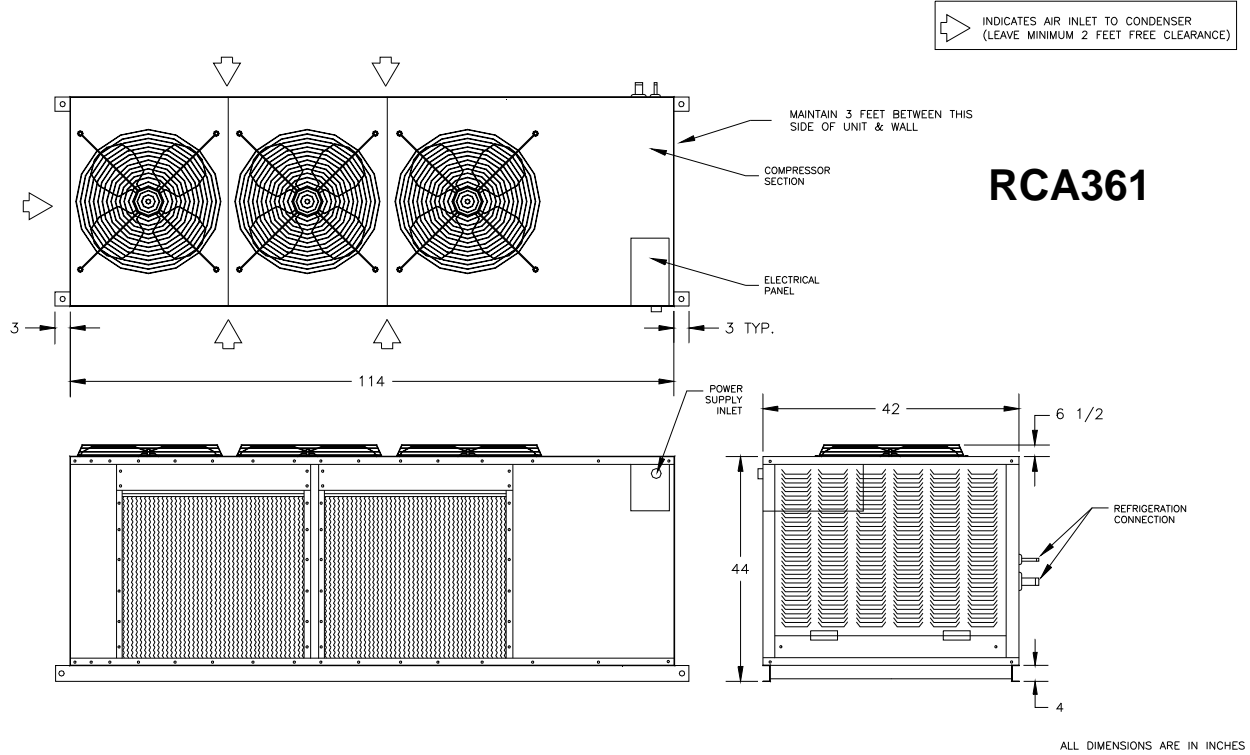
Rated With Air Handler Model	CFM	Capacity	ENTERING AIR DRY BULB TEMPERATURE								
			90° F DB			95° DB			100° DB		
			76°F WB	78°F WB	80°F WB	76°F WB	78°F WB	80°F WB	76°F WB	78°F WB	80°F WB
VCA/HCA 361	3,200	Total	287,000	297,500	308,200	282,500	292,900	303,500	277,700	288,000	298,400
		Sensible	145,000	136,900	128,800	160,500	152,400	144,300	176,000	168,200	159,800
		Watts	30,500	30,900	31,200	31,500	31,900	32,300	32,500	32,900	33,400
		Lvg. Db/Wb	48.8/48.8	51.1/51.1	53.4/53.4	49.4/49.4	51.7/51.7	54.0/54.0	50.0/50.0	52.2/52.2	54.6/54.6
	3,800	Total	302,900	313,500	324,300	297,800	308,500	319,100	292,500	302,900	313,400
		Sensible	155,900	146,300	136,300	174,700	165,100	155,100	193,500	183,900	173,900
		Watts	31,300	31,700	32,000	32,300	32,700	33,100	33,400	33,800	34,300
		Lvg. Db/Wb	52.7/52.7	55.0/55.0	57.4/57.4	53.2/53.2	55.5/55.5	57.9/57.9	53.7/53.7	56.0/56.0	58.4/58.4
	4,400	Total	314,800	325,500	336,200	309,400	320,000	330,700	303,700	314,100	324,700
		Sensible	166,000	154,800	143,200	188,400	176,700	165,500	210,100	198,900	187,700
		Watts	32,000	32,400	32,700	33,000	33,400	33,800	34,100	34,500	35,000
		Lvg. Db/Wb	55.7/55.7	58.0/58.0	60.4/60.4	56.1/56.1	58.5/58.5	60.8/60.8	56.6/56.6	58.9/58.9	61.2/61.2
	5,000	Total	324,200	334,900	345,900	318,500	329,100	339,800	312,400	322,900	333,400
		Sensible	174,900	163,100	150,200	200,100	188,300	176,000	226,600	213,800	201,900
		Watts	32,600	32,900	33,200	33,600	34,000	34,400	34,700	35,100	35,600
		Lvg. Db/Wb	58.2/58.1	60.4/60.3	62.7/62.7	58.6/58.4	60.8/60.7	63.0/63.0	59.0/59.8	61.1/61.1	63.5/63.5

Note: Above performance data gives gross evaporator capacity with 25' refrigerant lines and full condenser operation at 60 HZ.

Recommended Refrigerant Line Sizes — O.D.																			
Equivalent Line Length — Feet																			
0 to 25					26 to 50					51 to 75									
					Hot Gas Reheat										Hot Gas Reheat				
Suction	Liquid	Hot Gas Bypass	S	R	Suction	Liquid	Hot Gas Bypass	S	R	Suction	Liquid	Hot Gas Bypass	S	R					
2 1/8	5/8	3/4	3/4	5/8	2 1/8	3/4	7/8	7/8	5/8	2 1/8	3/4	7/8	7/8	5/8					

- Notes:
- Line lengths are equivalent, including all fittings. Use long radius ells only.
  - Line sizes are for both vertical and horizontal runs.
  - Over 75 equivalent feet, **consult factory** for sizing recommendations.
  - Liquid line sizes and hot gas reheat return line sizes are designed to minimize system refrigerant charge.
  - Over 75 total feet, a special hot gas bypass system must be installed in the condensing unit with an oil separator. Contact Factory.
  - "S" = Hot gas supply line from RCA to VCA/HCA; "R" = Hot gas return line from VCA/HCA to RCA unit.
  - When condensing unit is above air handler, trap suction line at base and every 20 feet of vertical rise. Consult ASHRAE Refrigeration Handbook.





3 ft. clearance must be left for access to compressor and electrical panel

**Installation Code and Annual Inspections:**

All installations and service of ADDISON equipment must be performed by a contractor qualified in the installation and service of equipment sold and supplied by Addison and conform to all requirements set forth in the ADDISON manuals and all applicable governmental authorities pertaining to the installation, service and operation of the equipment. To help facilitate optimum performance and safety, Addison recommends that a qualified contractor annually inspect your ADDISON equipment and perform service where necessary, using only replacement parts sold and supplied by ADDISON.

**Further Information:** Applications, engineering and detailed guidance on systems design, installation and equipment performance is available through ADDISON representatives. Please contact us for any further information you may require, including the Installation, Operation and Service Manual.

**These products are not for residential use.**

**This document is intended to assist licensed professionals in the exercise of their professional judgment.**

**ADDISON**

7050 Overland Road  
Orlando, FL 32810 USA  
Telephone: 407.292.4400  
Fax: 407.290.1329  
[www.addison-hvac.com](http://www.addison-hvac.com)