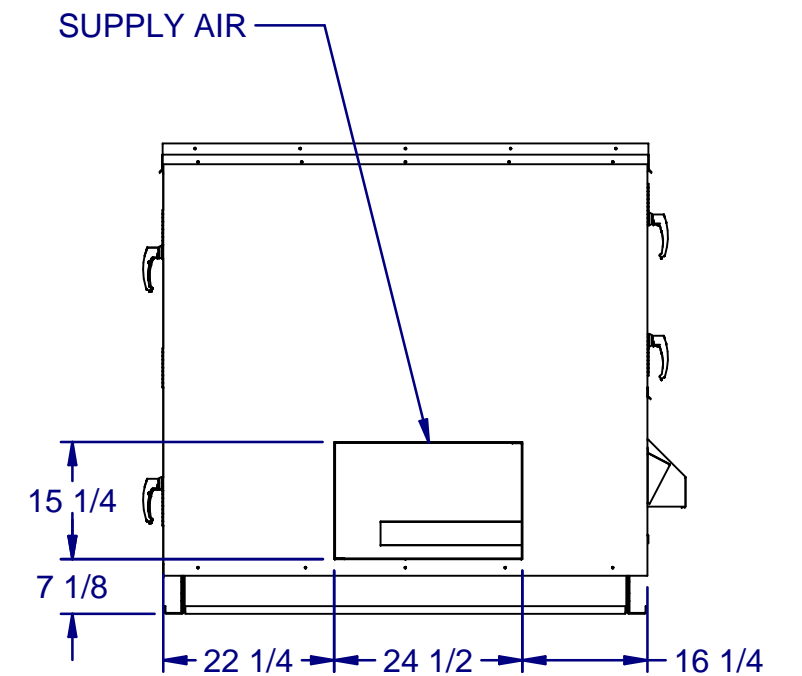
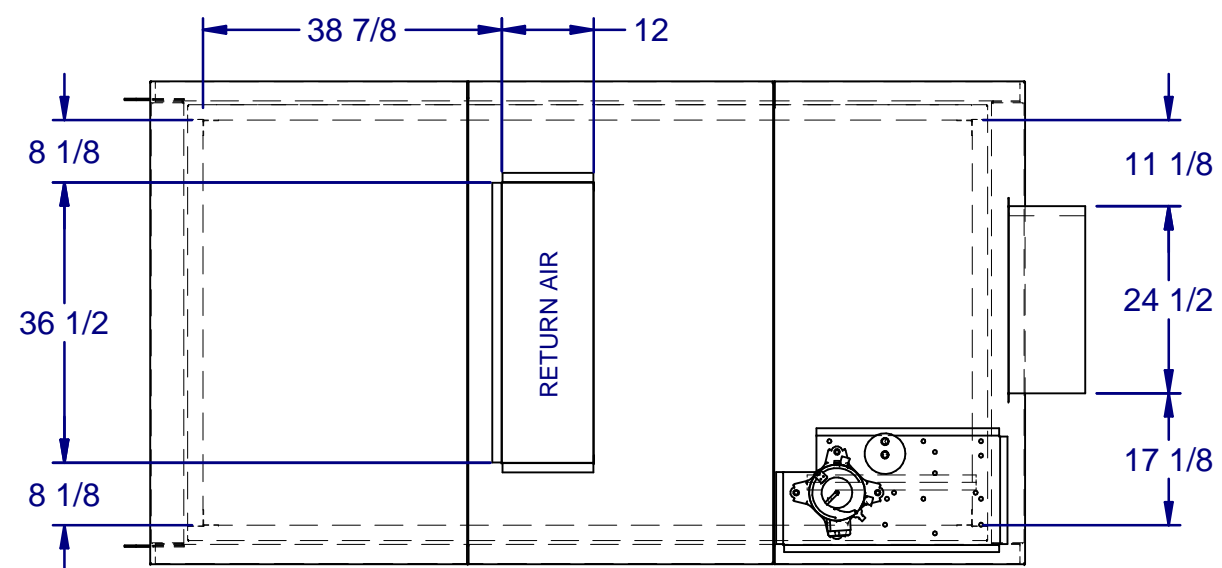
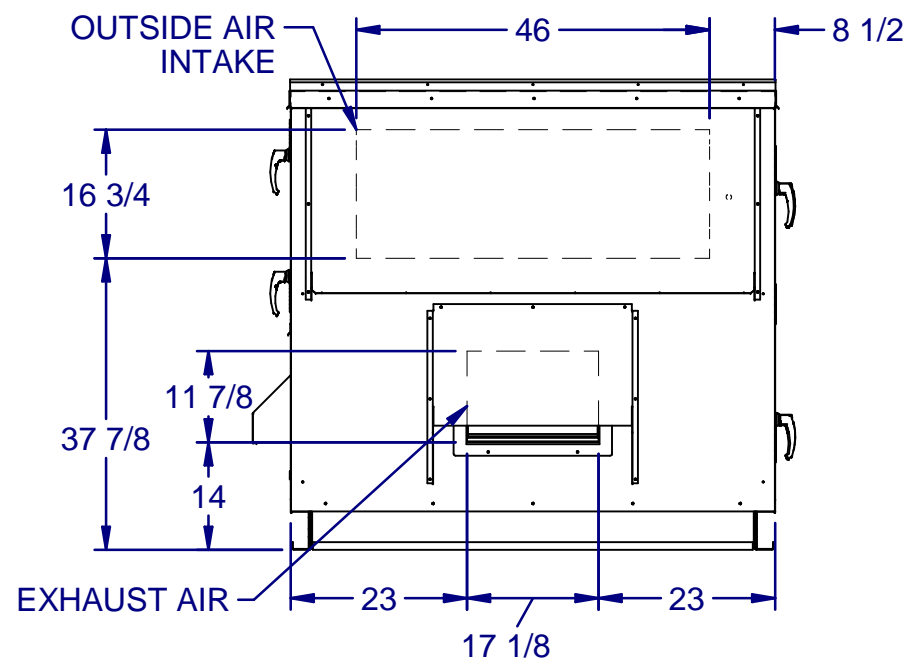
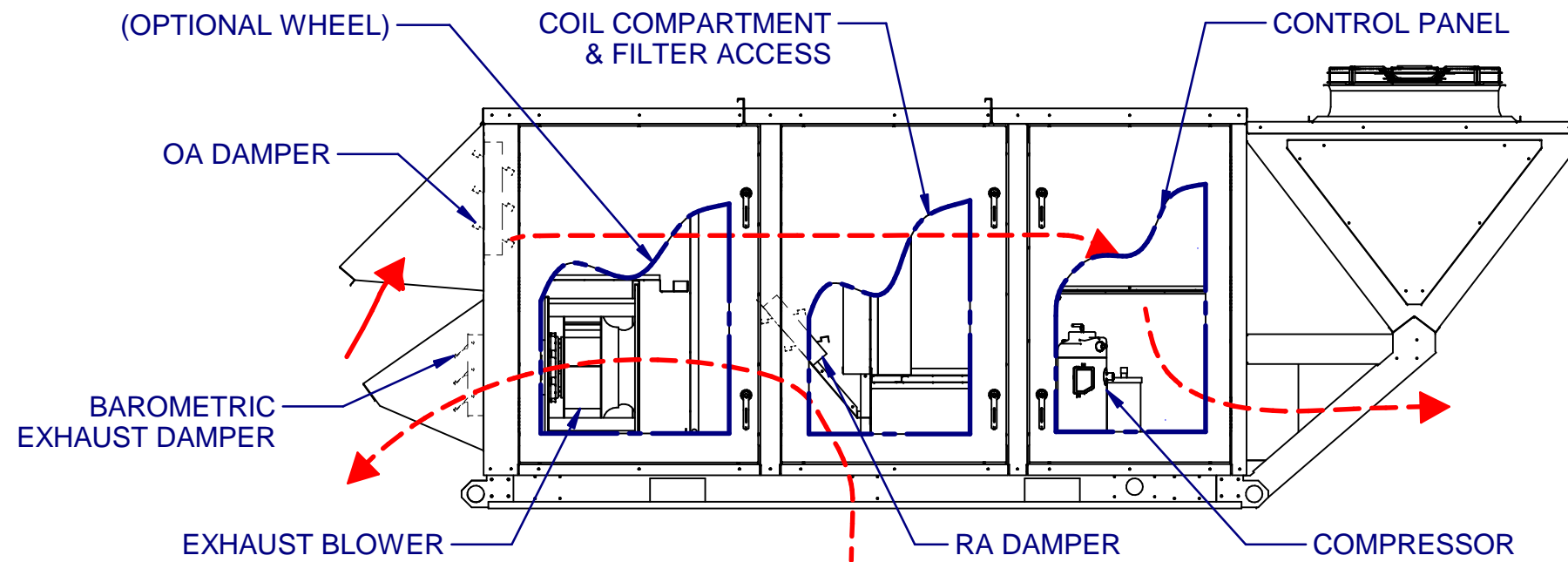


DRAWING NUMBER: 05041-2503	12/21/2015
TITLE: PR B2 CAB HOR	1 OF 2



TOP PLAN VIEW
 CONDENSING SIDE
 NOT SHOWN

DRAWING NUMBER: 05041-2503	12/21/2015
TITLE: PR B2 CAB HOR	2 OF 2