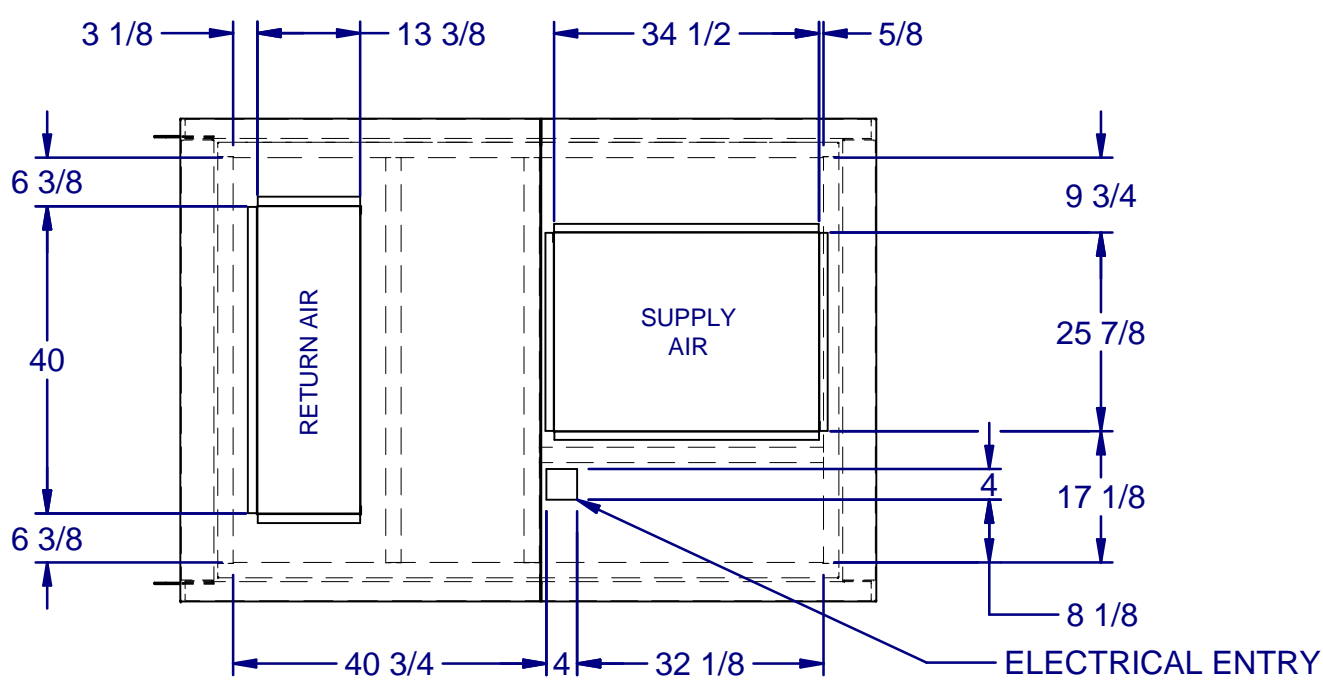
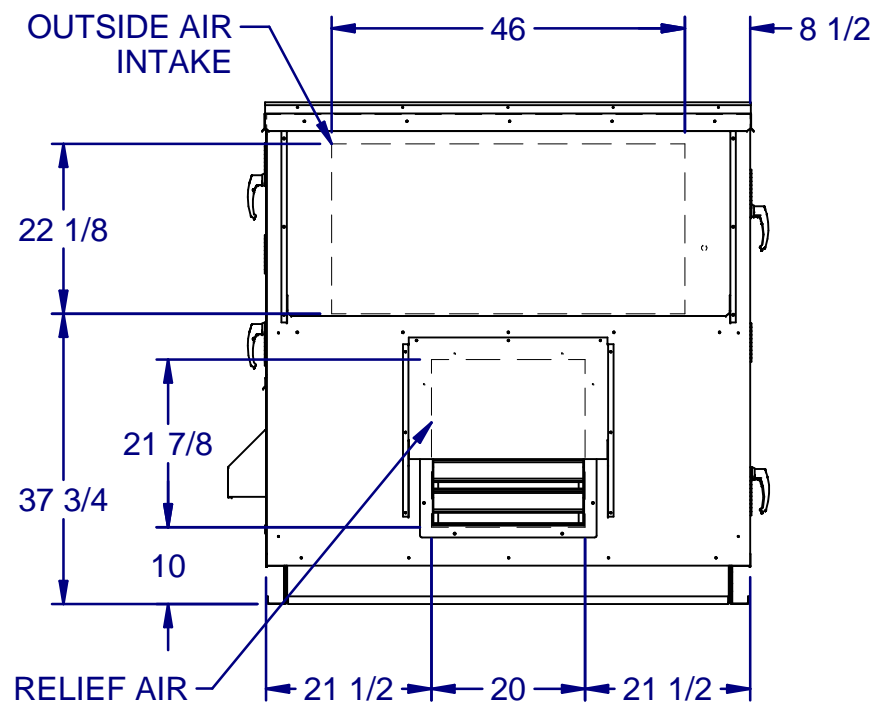
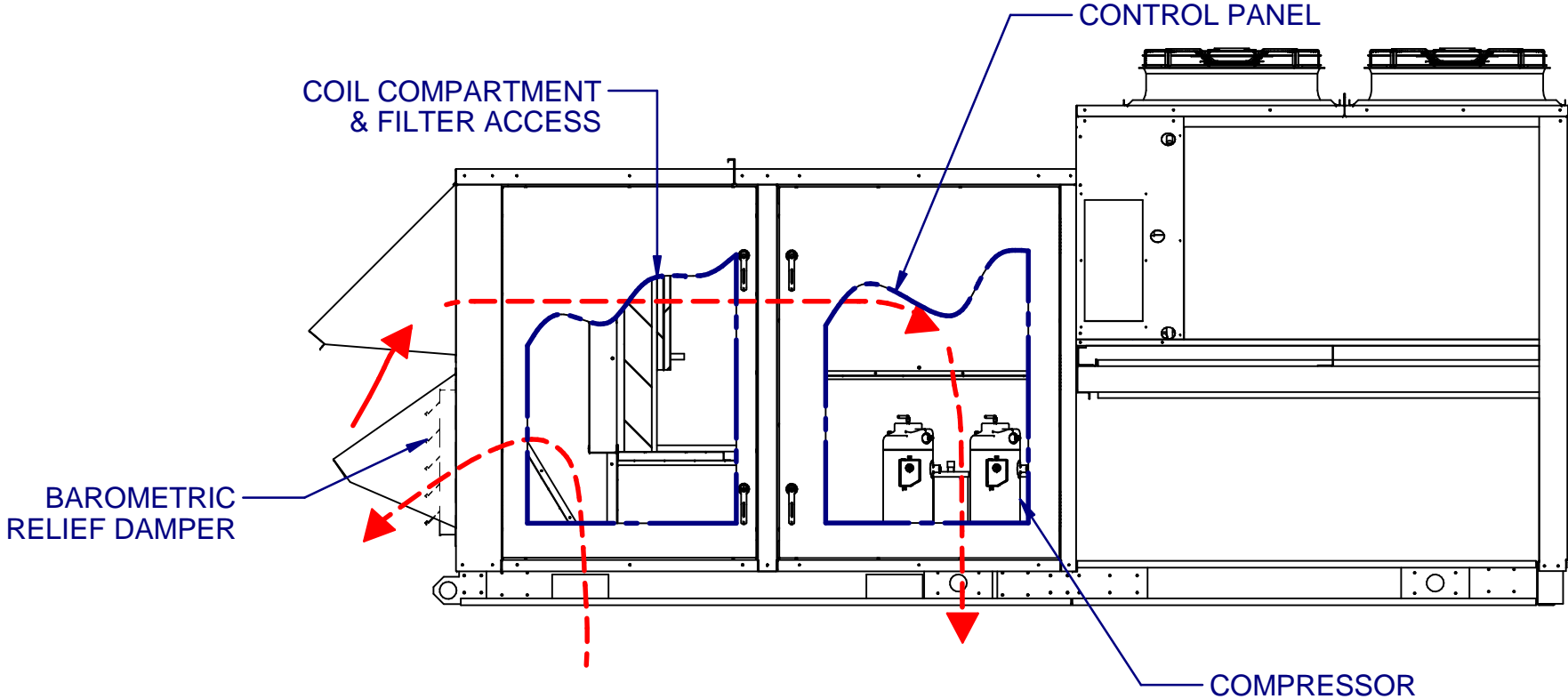


100% OUTSIDE AIR WITH BAROMETRIC RELIEF



**TOP PLAN VIEW
CONDENSING SIDE
NOT SHOWN**

DRAWING NUMBER: 05041-2534-2	12/21/2015
TITLE: PR C4 CAB NO EXH	1 OF 1