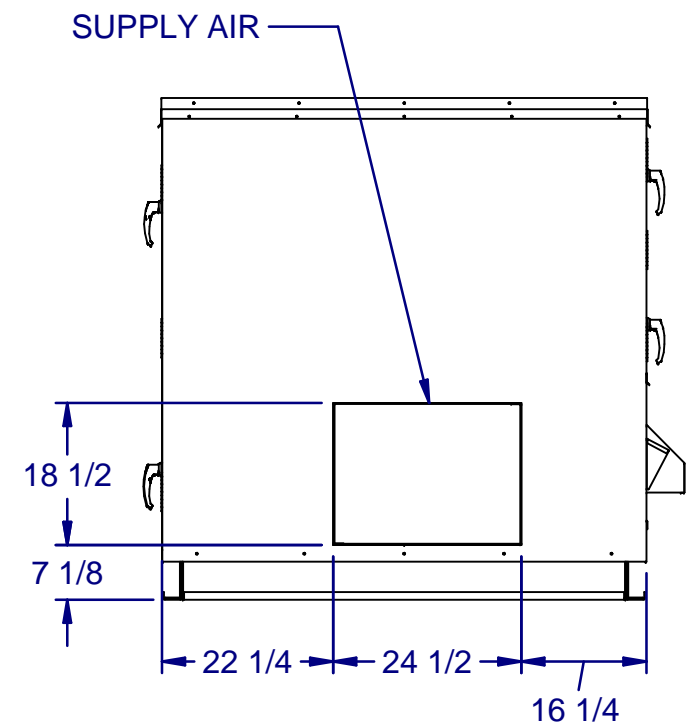
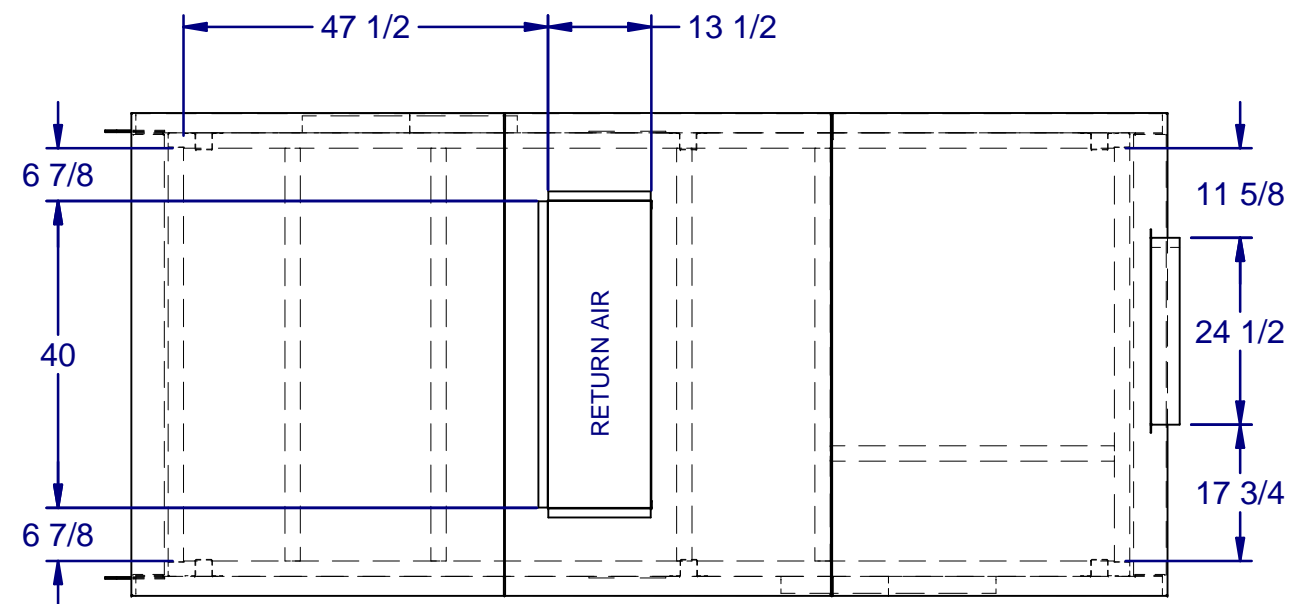
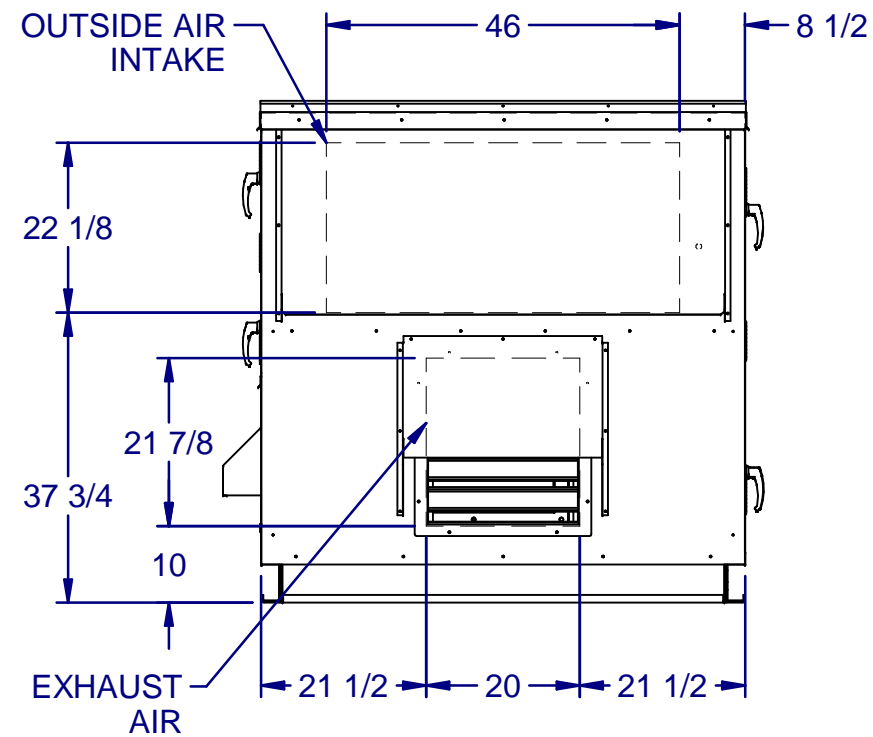
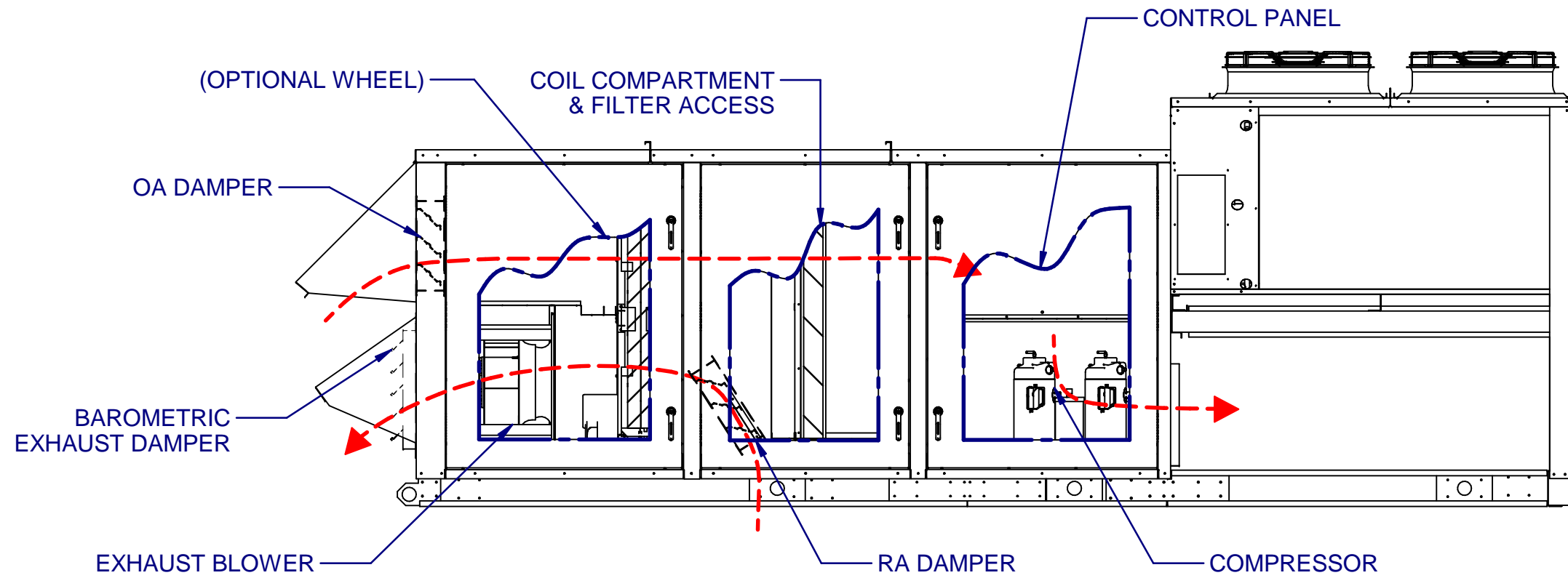


DRAWING NUMBER: 05041-2543	12/21/2015
TITLE: PR C4 CAB HOR	1 OF 2



TOP PLAN VIEW
CONDENSING SIDE
NOT SHOWN

DRAWING NUMBER: 05041-2543	12/21/2015
TITLE: PR C4 CAB HOR	2 OF 2