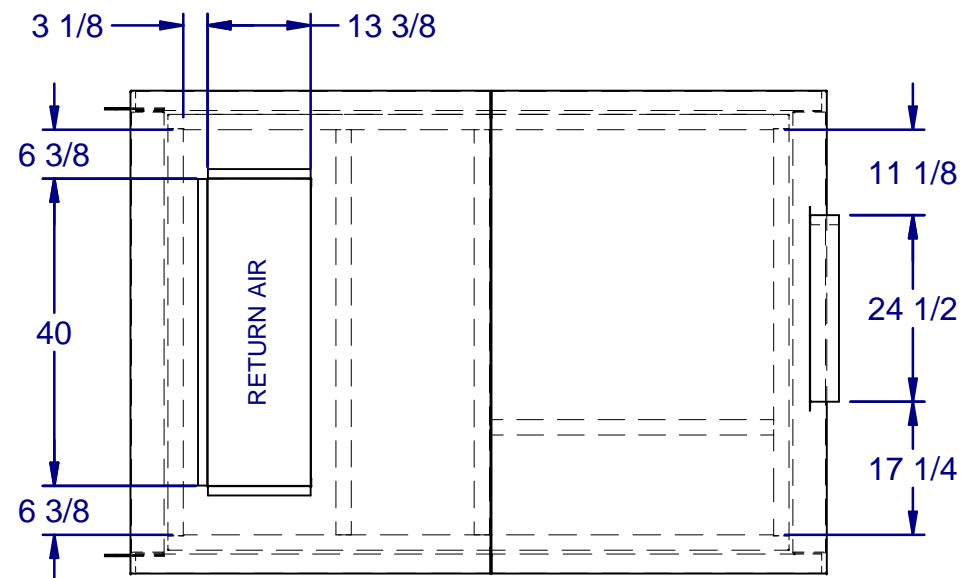
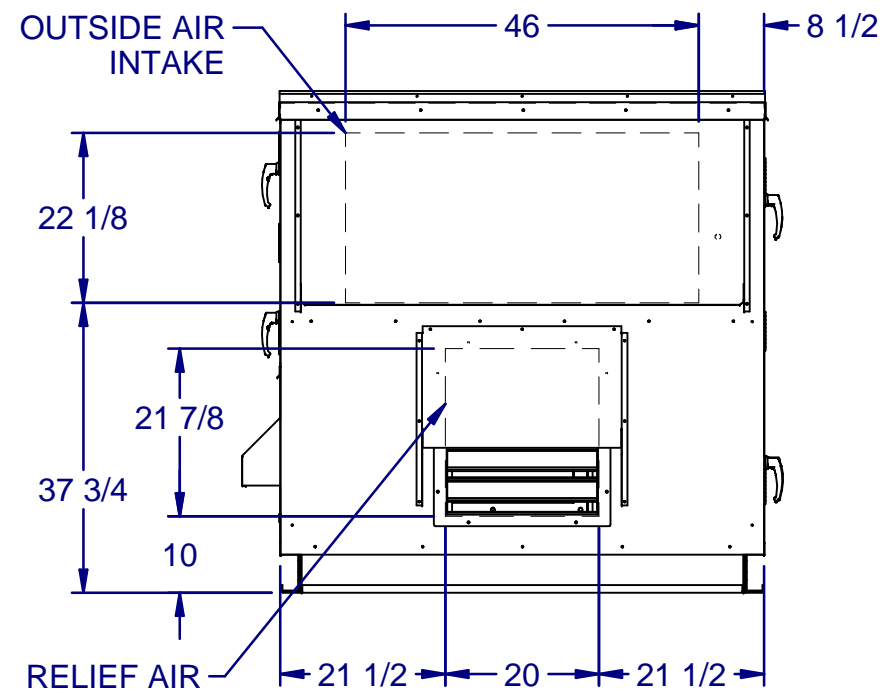
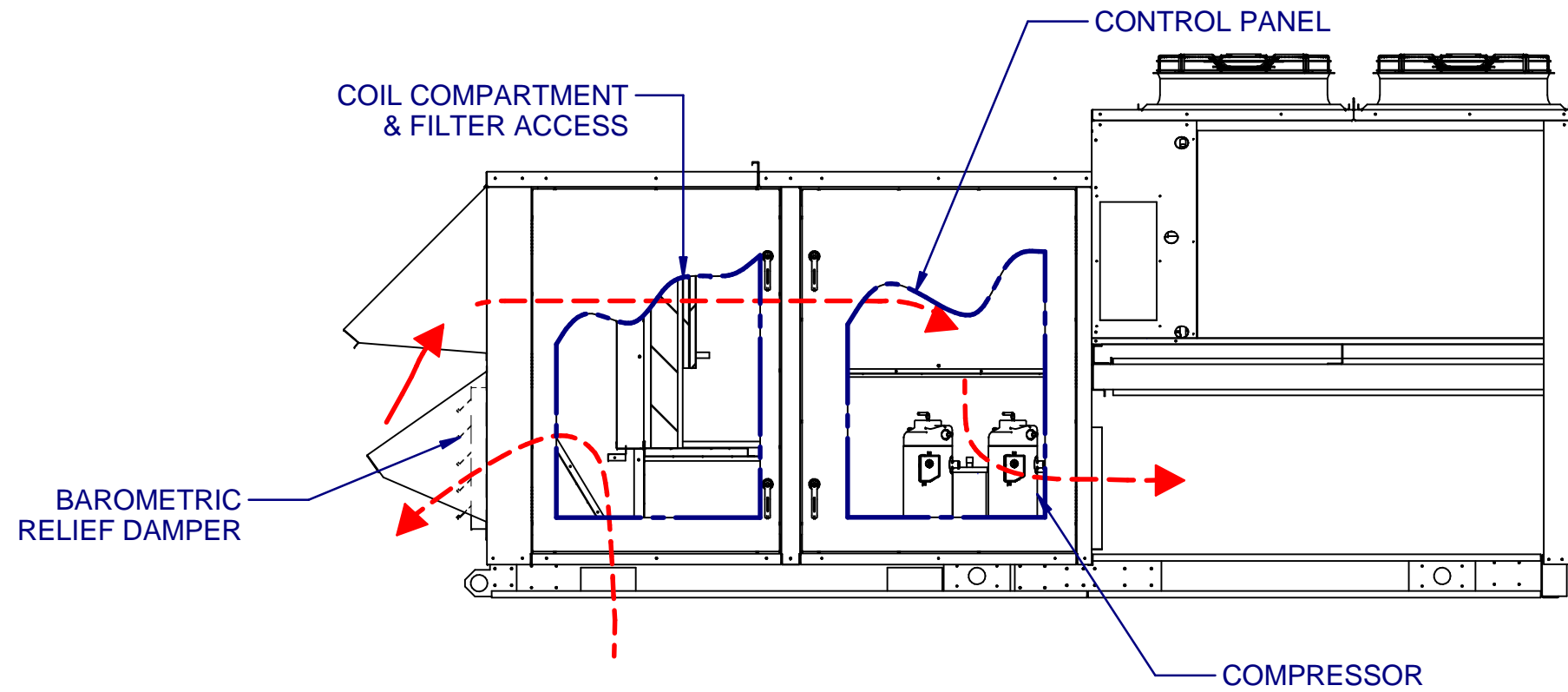
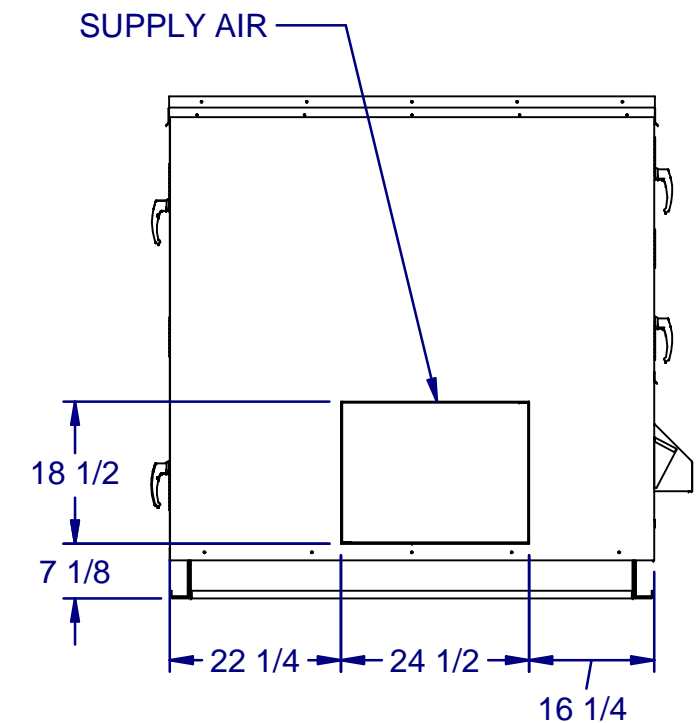


# 100% OUTSIDE AIR WITH BAROMETRIC RELIEF



TOP PLAN VIEW  
CONDENSING SIDE  
NOT SHOWN



DRAWING NUMBER: 05041-2544-2	12/21/2015
TITLE: PR C4 CAB NO EXH HOR	1 OF 1