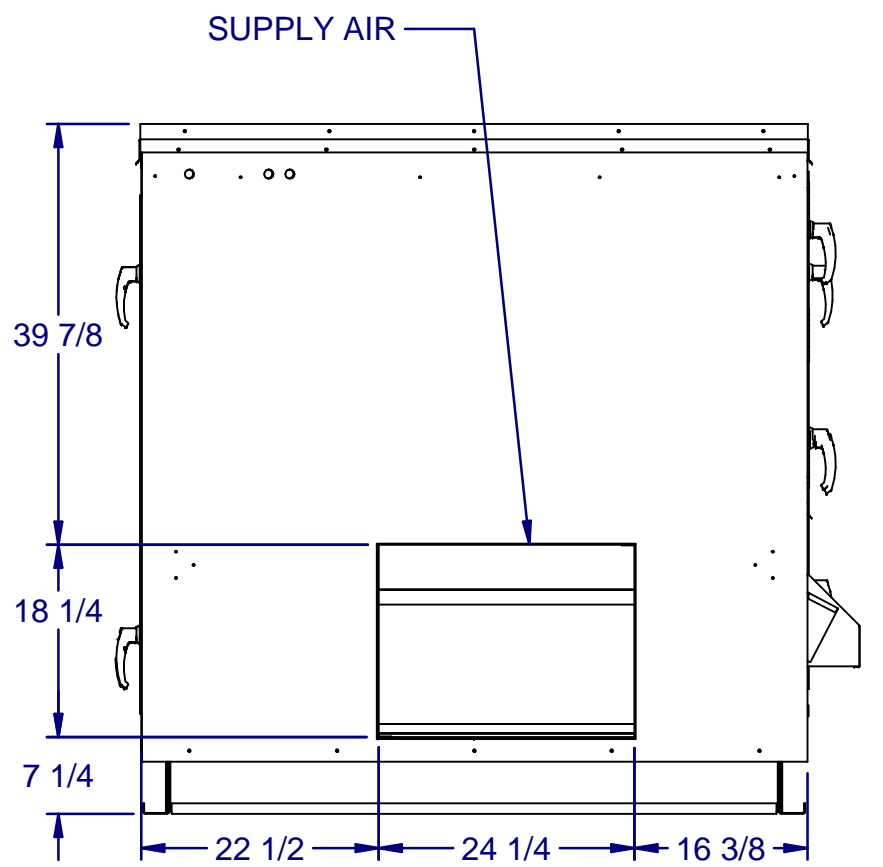
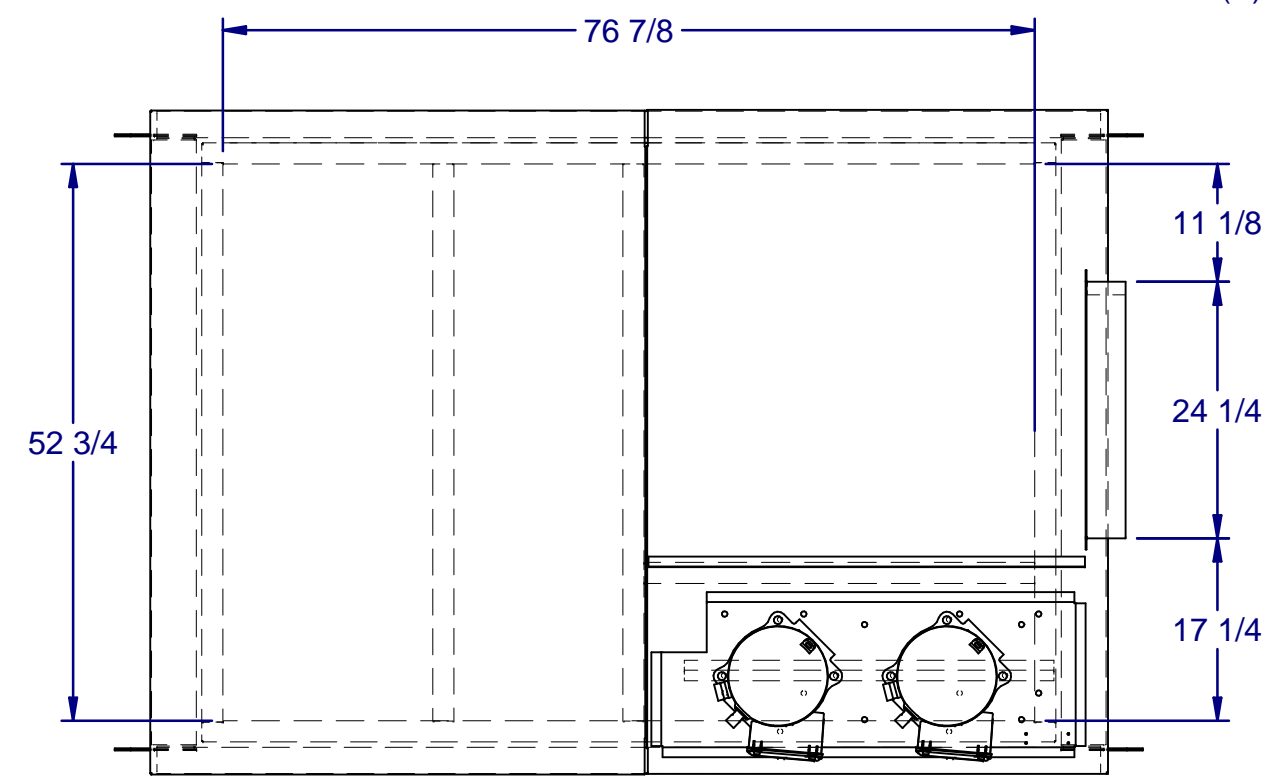
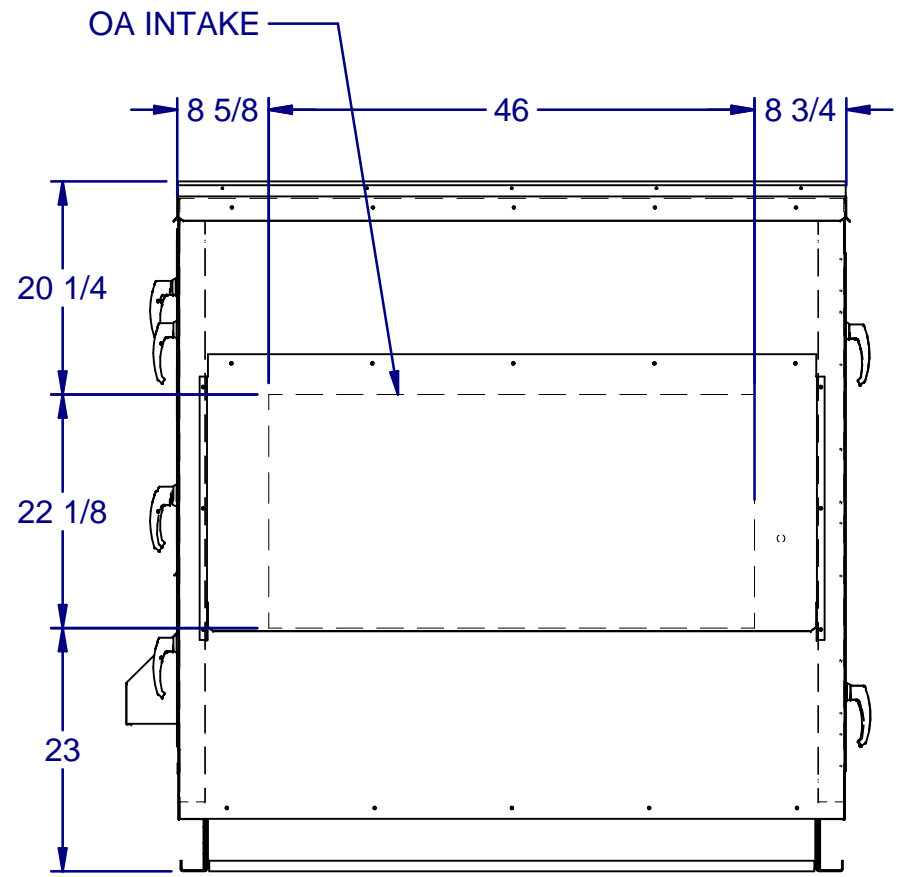
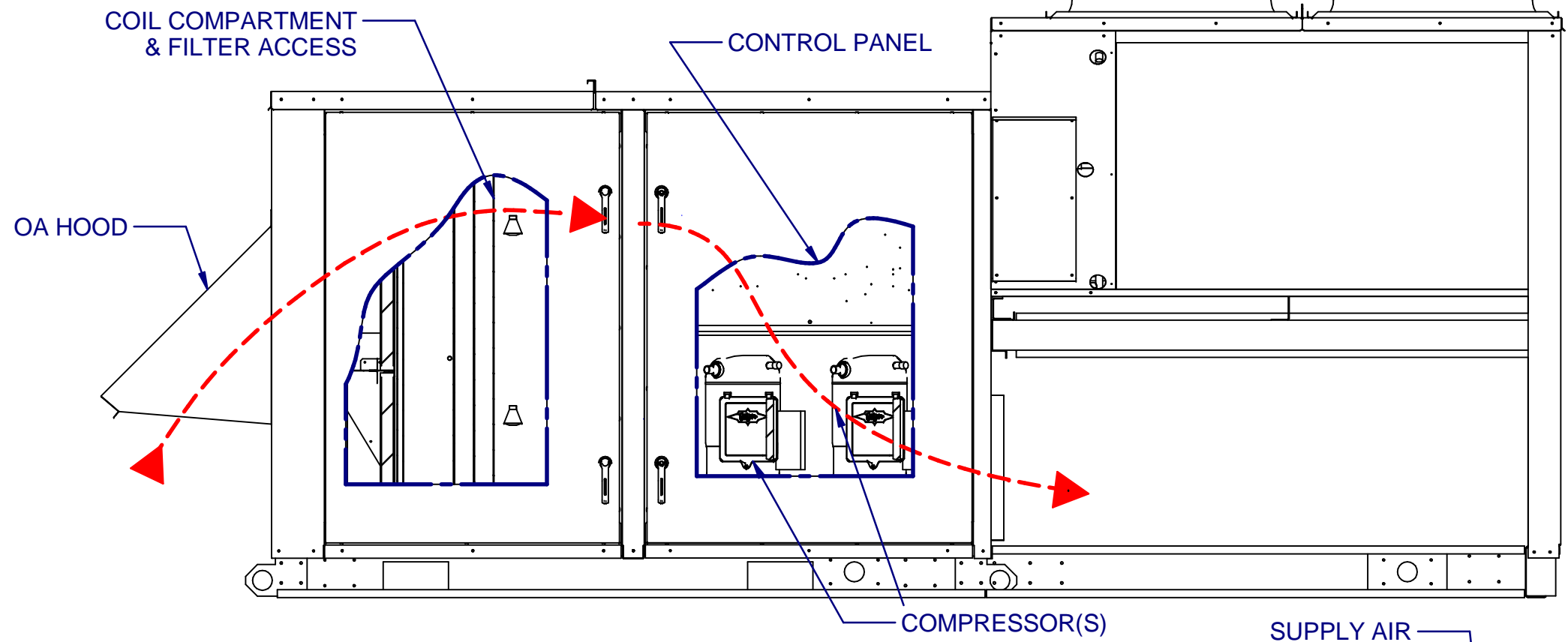


100% OUTSIDE AIR



TOP PLAN VIEW
CONDENSING SIDE
NOT SHOWN

| | |
|------------------------------|------------|
| DRAWING NUMBER: 05041-2544-4 | 12/21/2015 |
| TITLE: PR C4 CAB NO EXH HOR | 1 OF 1 |