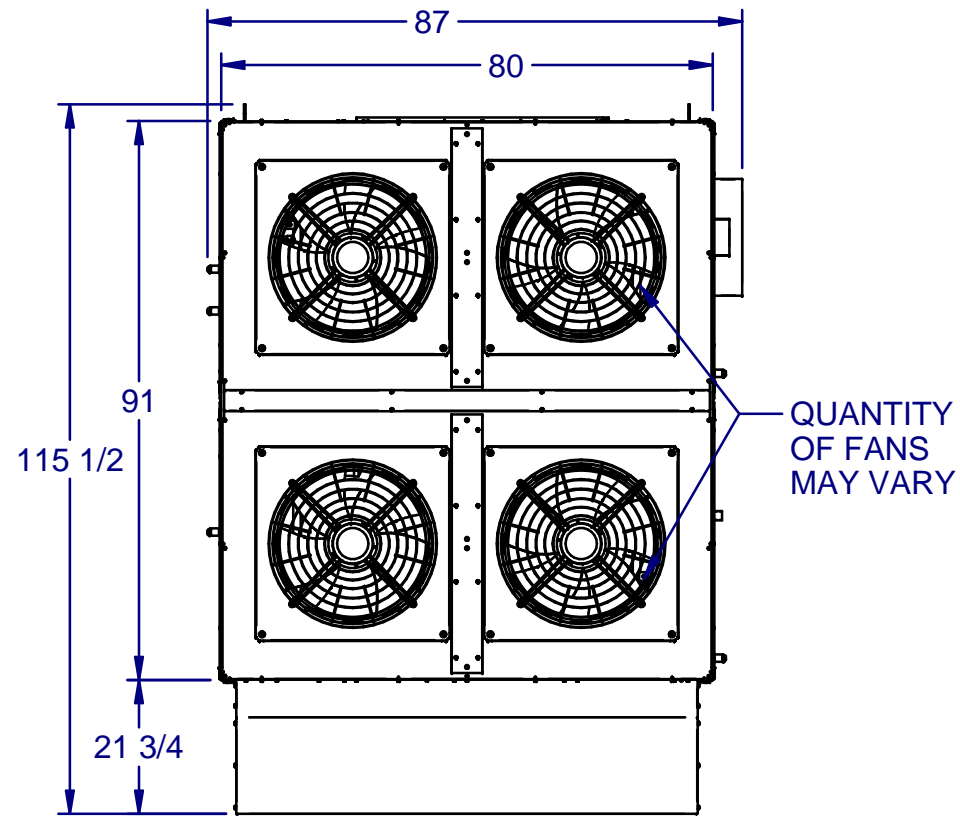
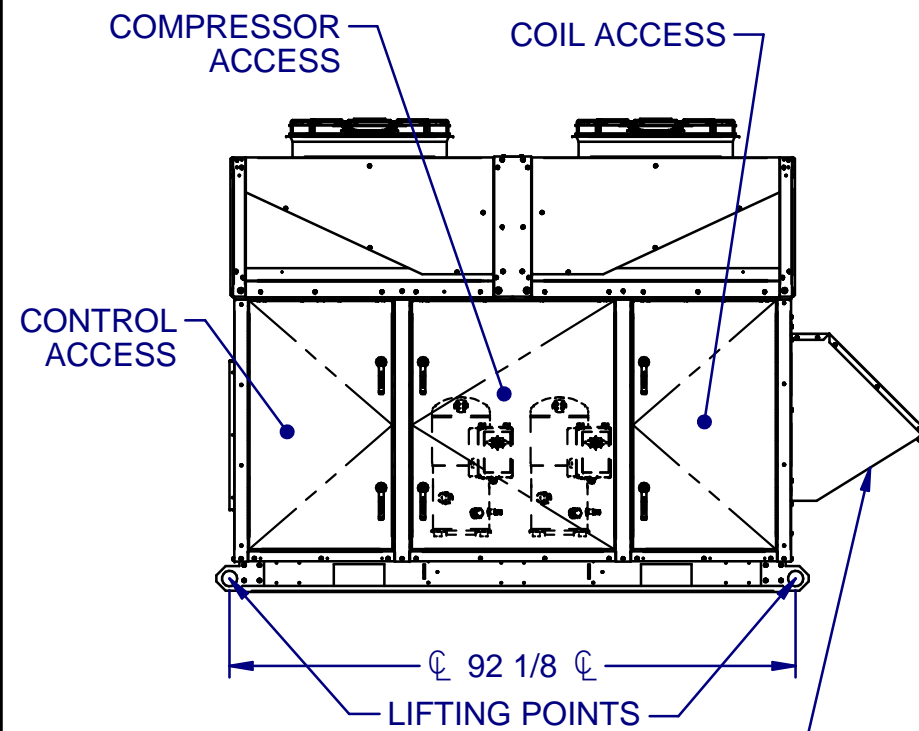


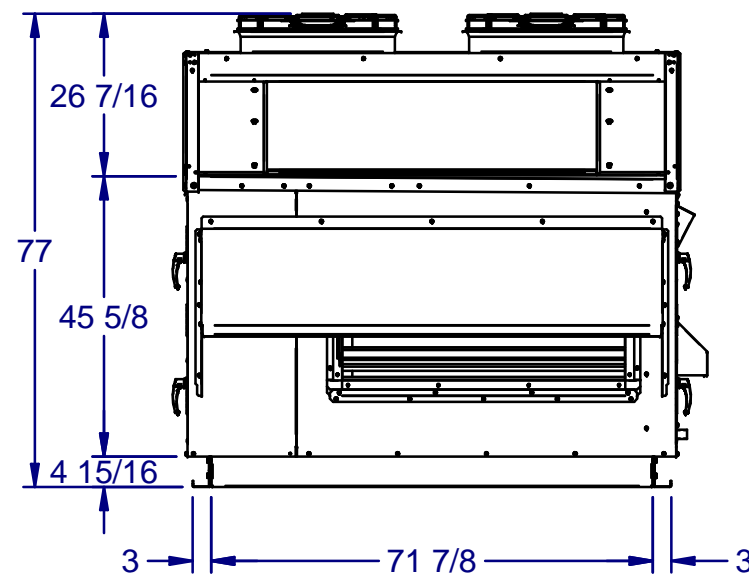
REV	DESCRIPTION	DATE	BY	CKD BY	PCN
A	INITIAL RELEASE	01/03/2019	JRR	DW	--



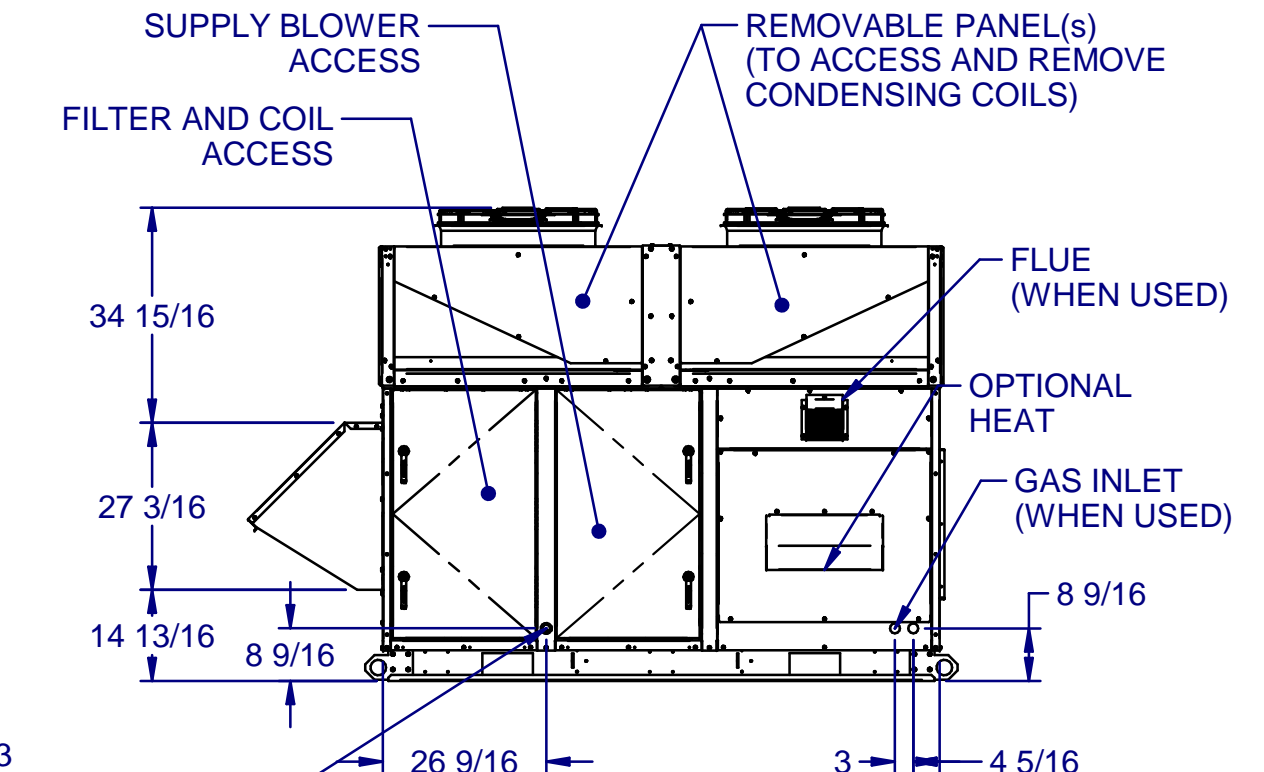
TOP VIEW



LEFT VIEW



FRONT VIEW



RIGHT VIEW

OUTSIDE AIR HOOD
(74 15/16 x 22 7/8 OPENING)

TITLE					
*RAK 3 SERIES CABINET 100% OA (10t-27t)					
DATE	CKD	APPD	PART #	SHEET #	REV
2/20/2019	DW	GO		--	A
DRWN					
Josh.Ramsey			0795I-20318		