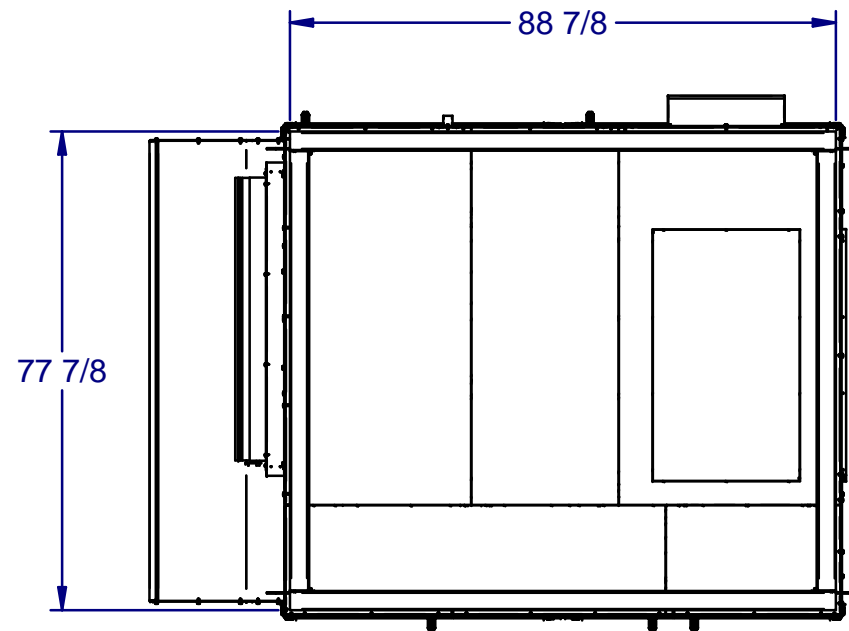
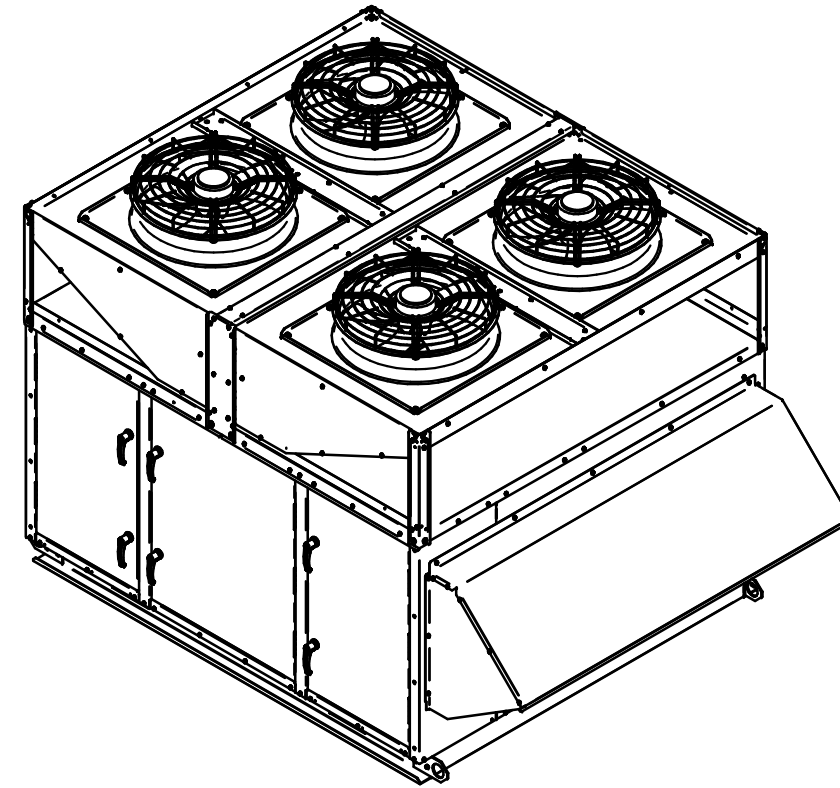
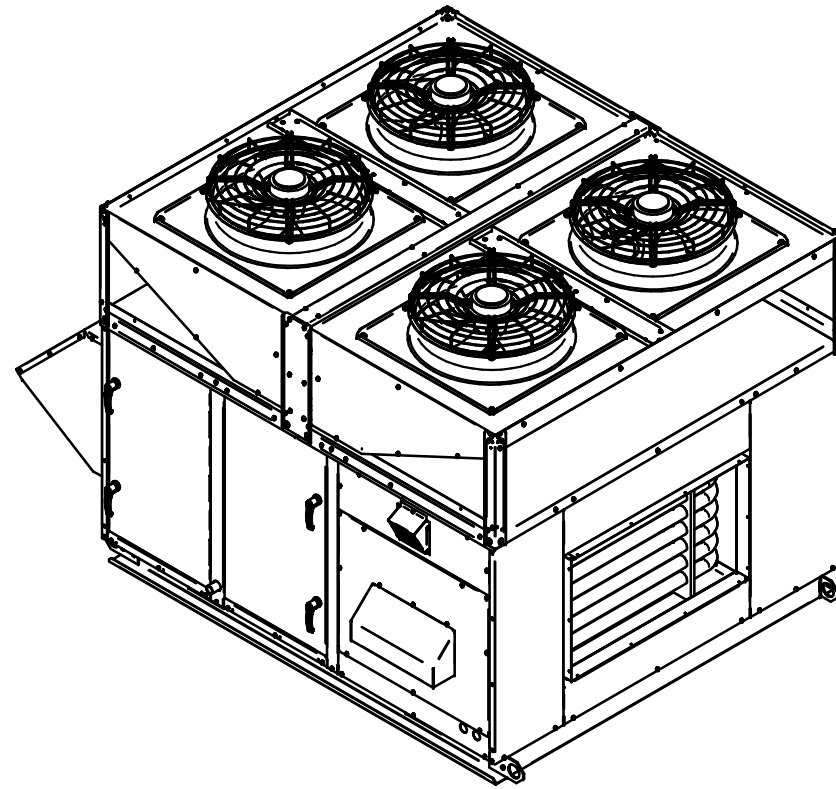
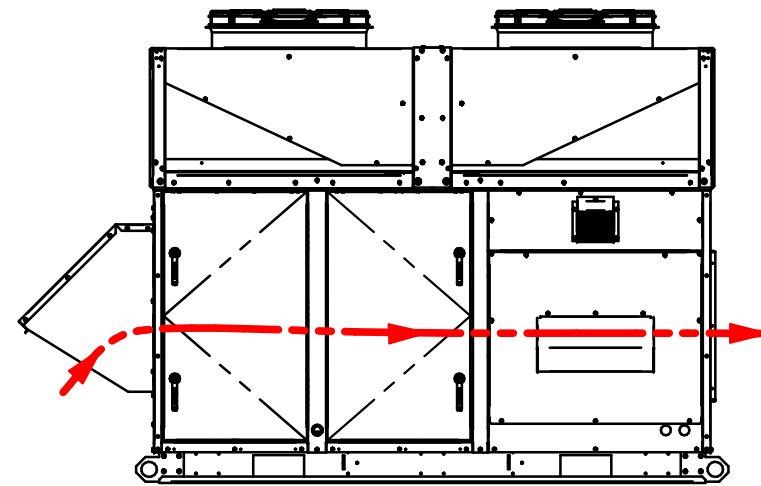


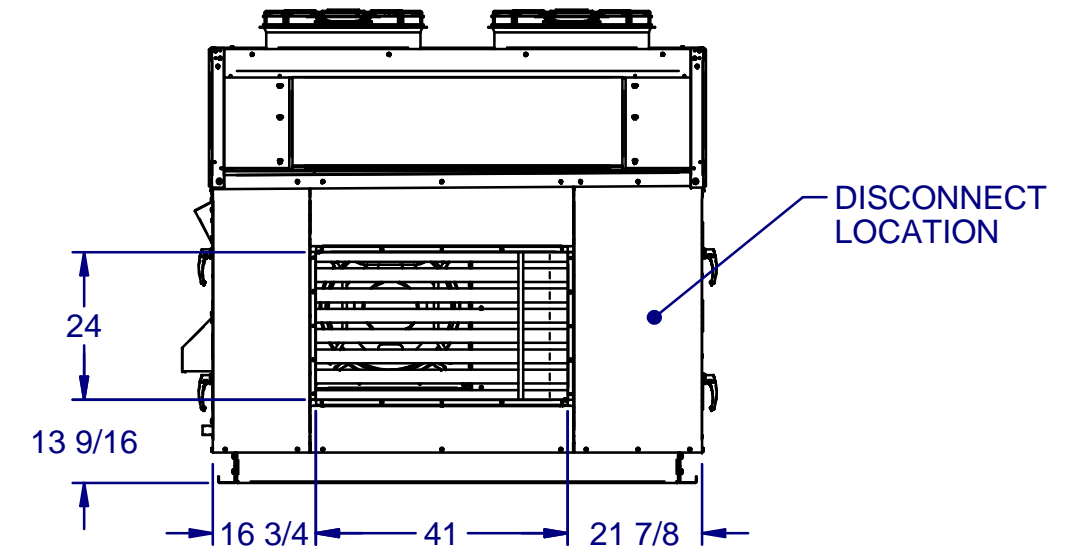
REV	DESCRIPTION	DATE	BY	CKD BY	PCN
A	INITIAL RELEASE	01/03/2019	JRR	DW	--



**BOTTOM VIEW**



**RIGHT VIEW**



**REAR VIEW**

TITLE						<b>*RAK 3 SERIES CABINET 100% OA (10t-27t) HORIZONTAL</b>			
DATE	CKD	APPD	PART #	SHEET #	REV				
2/20/2019	DW	GO	0795I-20320	--	A				
DRWN	Josh.Ramsey								