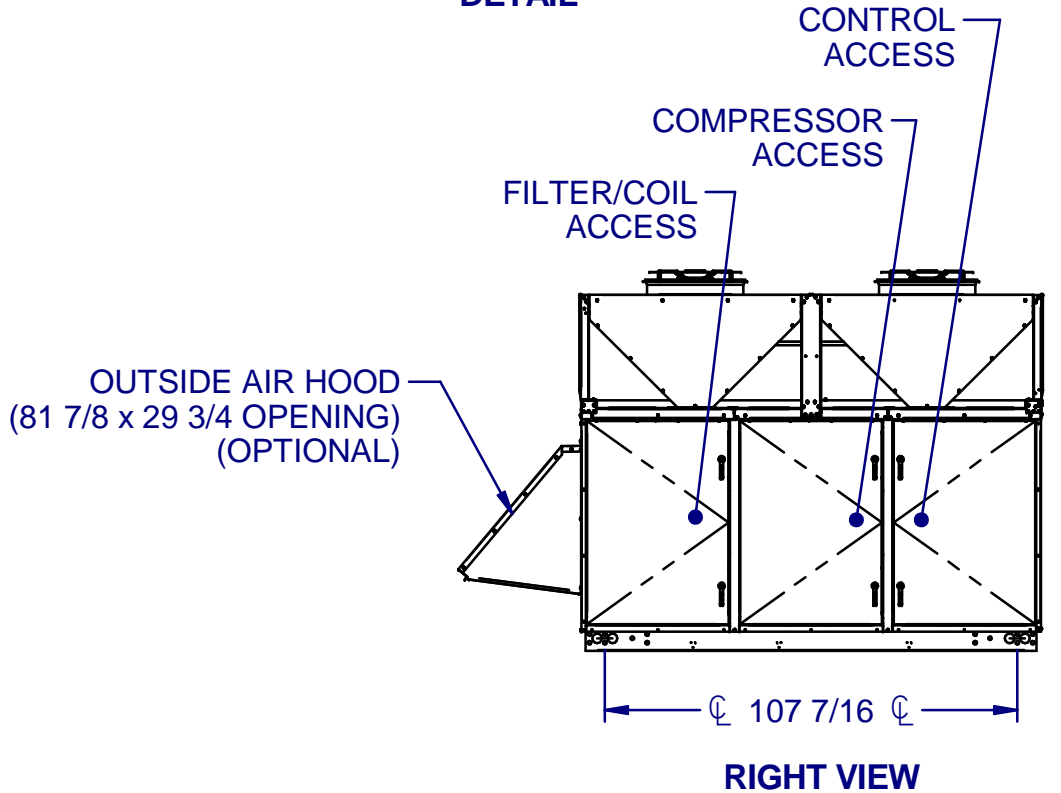
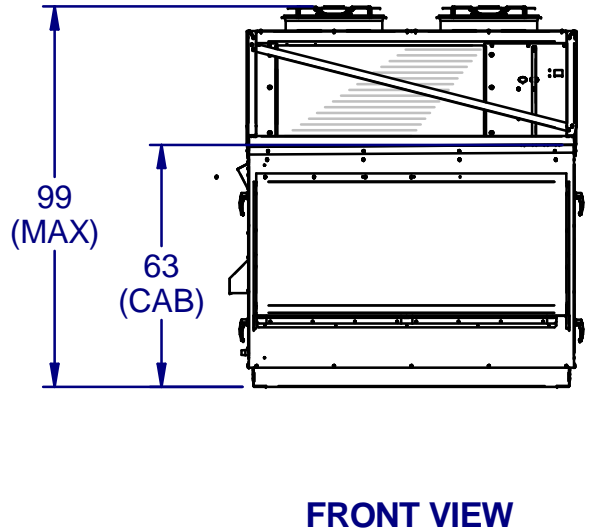
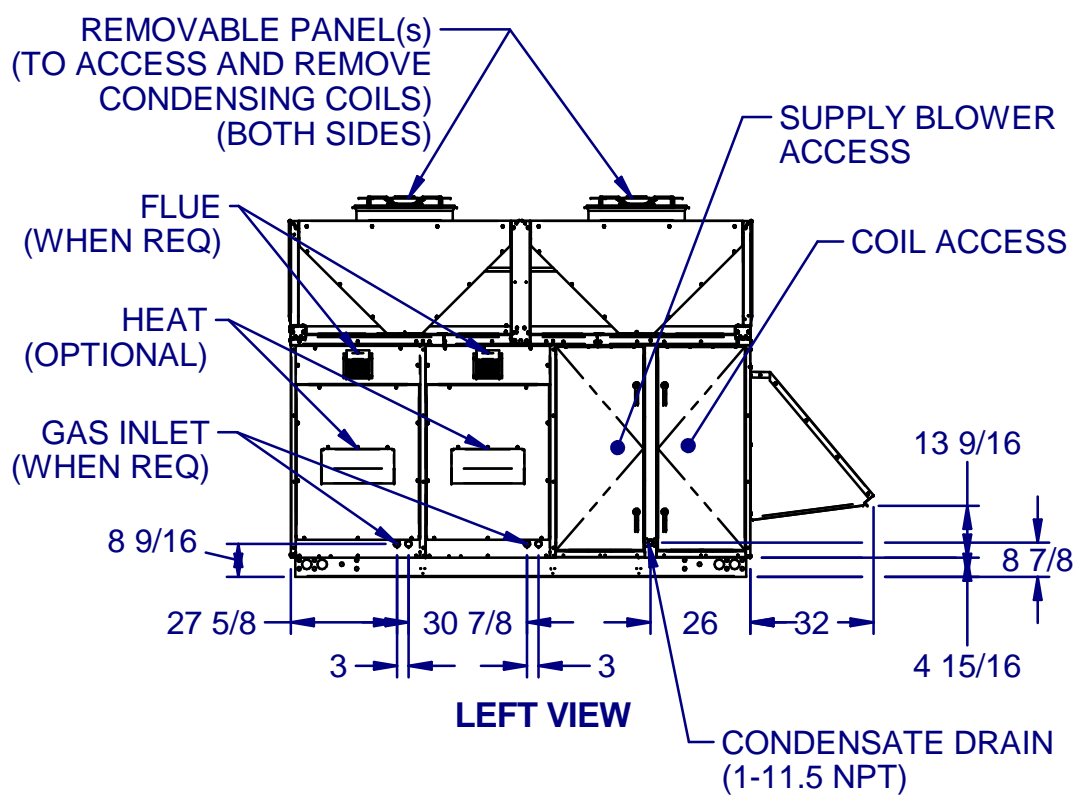
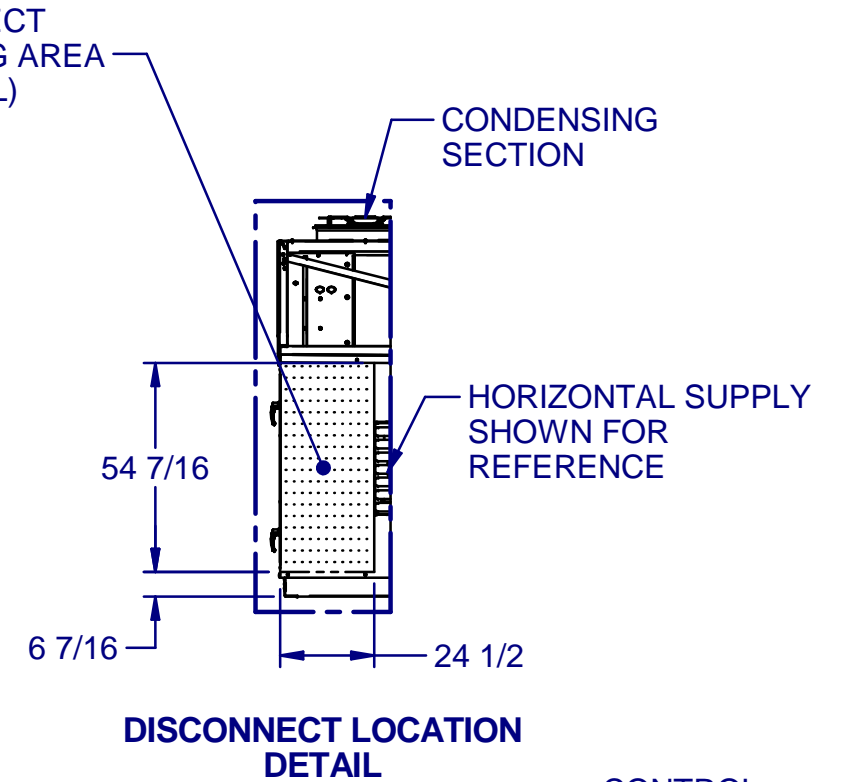
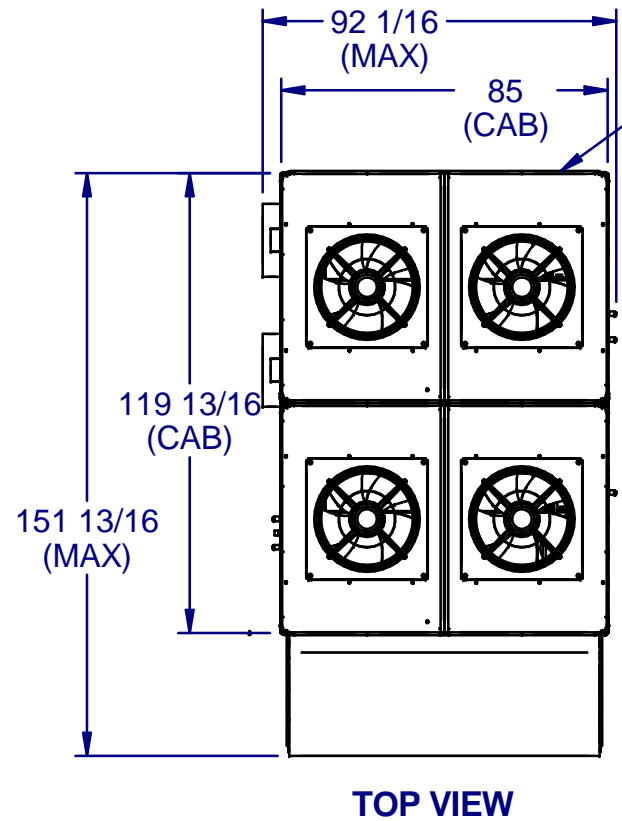
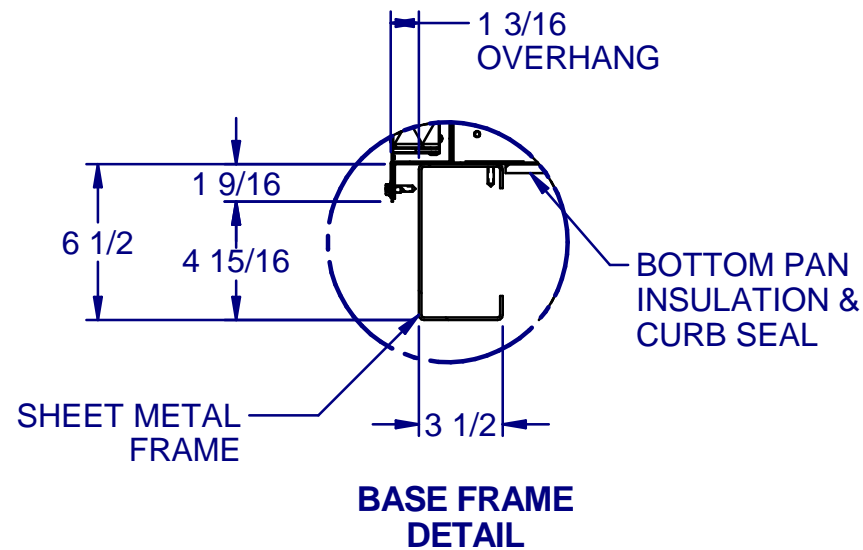
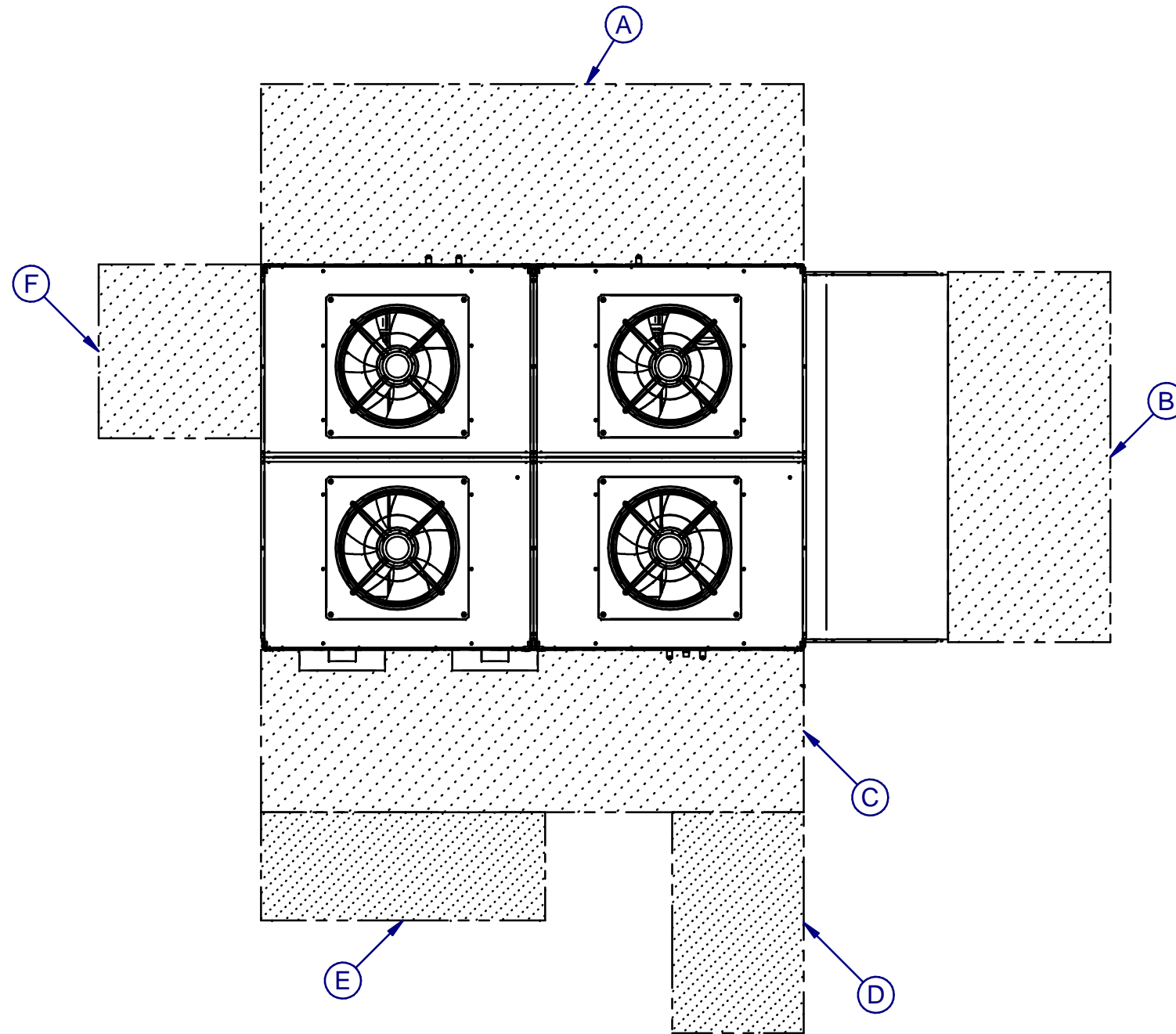


| REV | DESCRIPTION | DATE | BY | CKD BY | PCN |
|-----|-------------|------|----|--------|-----|
| -   | -           | -    | -  | -      | -   |

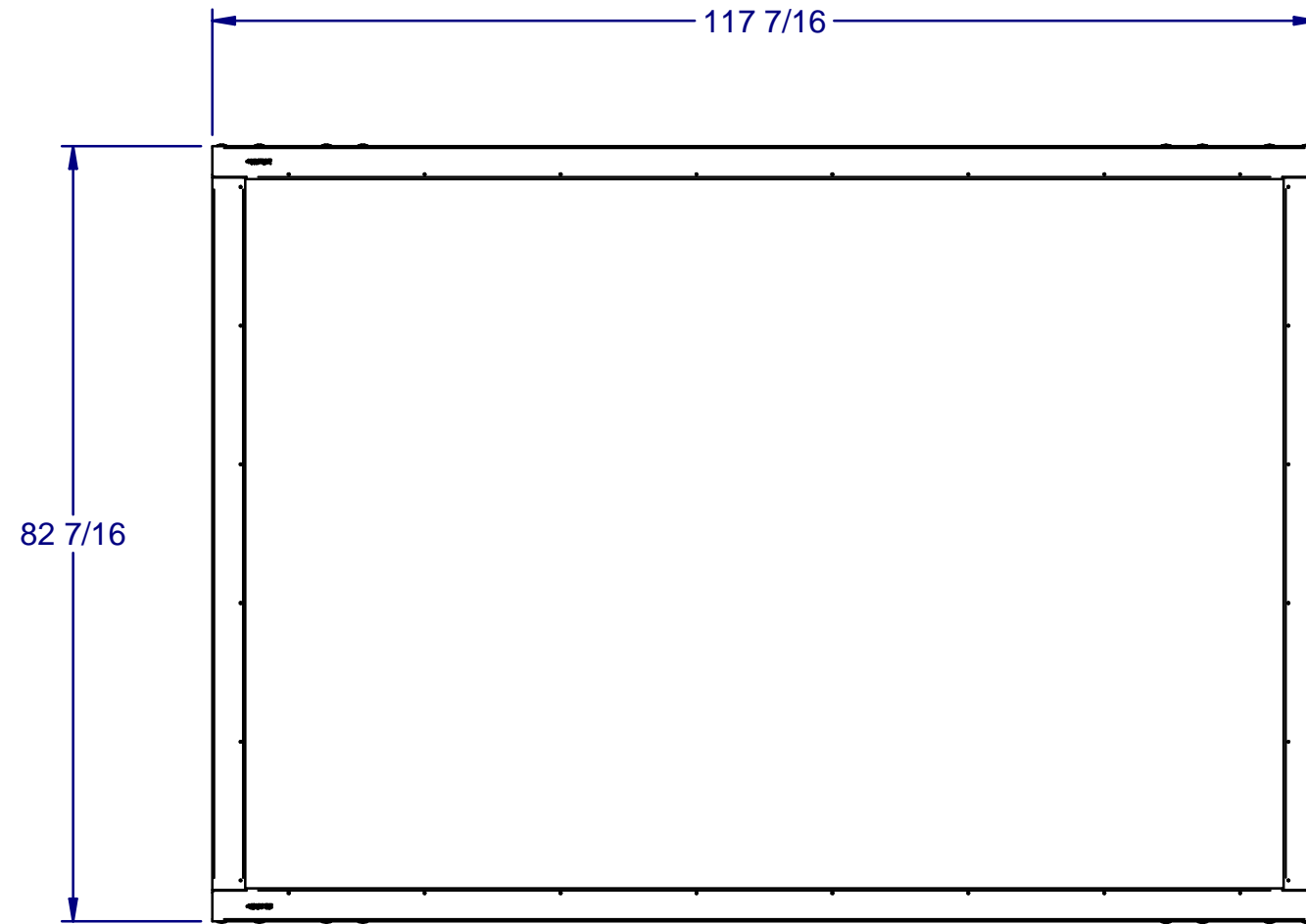


|           |             |             |        |         |                                    |  |
|-----------|-------------|-------------|--------|---------|------------------------------------|--|
| TITLE     |             |             |        |         | <b>*RAK NO RETURN (20T-45T) S5</b> |  |
| DATE      | CKD         | APPD        | PART # | SHEET # | REV                                |  |
| 4/19/2021 | DW          | GO          |        | 1 OF 3  | B                                  |  |
| EPR:      | DRWN        | 0795I-20631 |        |         |                                    |  |
| 253       | Josh.Ramsey |             |        |         |                                    |  |



| ITEM | REQ/<br>SUGGESTED | DESCRIPTION  | DIMENSION (IN)        |
|------|-------------------|--|-----------------------|
| A    | REQUIRED          | CONTROLS, COMPRESSOR, SUPPLY BLOWER, AND COIL ACCESS | 40                    |
| B    | SUGGESTED         | OUTSIDE AIR  | 30                    |
| C    | REQUIRED          | VFD, HEAT SOURCE(S), SUPPLY BLOWER, AND COIL ACCESS  | 36                    |
| D    | SUGGESTED         | TO REMOVE COILS                                      | 85                    |
| E    | SUGGESTED         | TO REMOVE HEAT SOURCE (WHEN APPLICABLE)              | 60                    |
| F    | REQUIRED          | DISCONNECT (OPTIONAL)                                | PER DISC REQUIREMENTS |

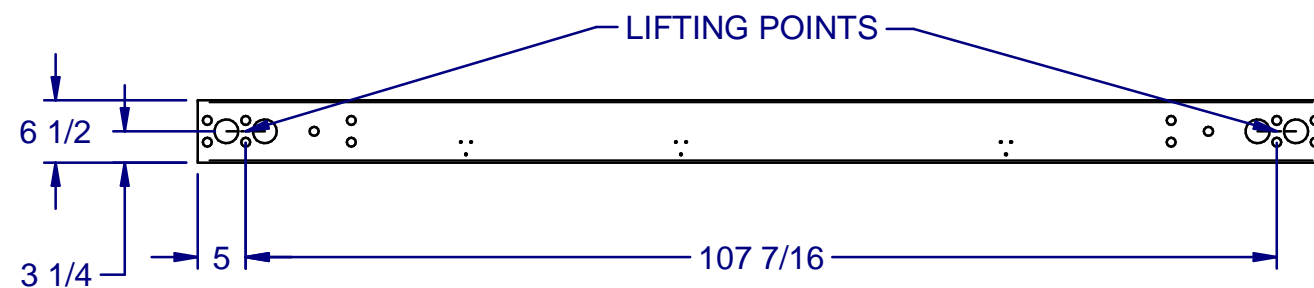
|           |             |             |        |                                    |     |  |  |
|-----------|-------------|-------------|--------|------------------------------------|-----|--|--|
| TITLE     |             |             |        | <b>*RAK NO RETURN (20T-45T) S5</b> |     |  |  |
| DATE      | CKD         | APPD        | PART # | SHEET #                            | REV |  |  |
| 4/19/2021 | DW          | GO          |        |                                    |     |  |  |
| EPR:      | DRWN        |             |        |                                    |     |  |  |
| 253       | Josh.Ramsey | 0795I-20631 |        | 2 OF 3                             | B   |  |  |



**BASE FRAME  
TOP VIEW**



**BASE FRAME  
END VIEW**



**BASE FRAME  
SIDE VIEW**

|           |             |      |             |                                    |     |  |
|-----------|-------------|------|-------------|------------------------------------|-----|--|
| TITLE     |             |      |             | <b>*RAK NO RETURN (20T-45T) S5</b> |     |  |
| DATE      | CKD         | APPD | PART #      | SHEET #                            | REV |  |
| 4/19/2021 | DW          | GO   | 0795I-20631 | 3 OF 3                             | B   |  |
| EPR:      | DRWN        |      |             |                                    |     |  |
| 253       | Josh.Ramsey |      |             |                                    |     |  |