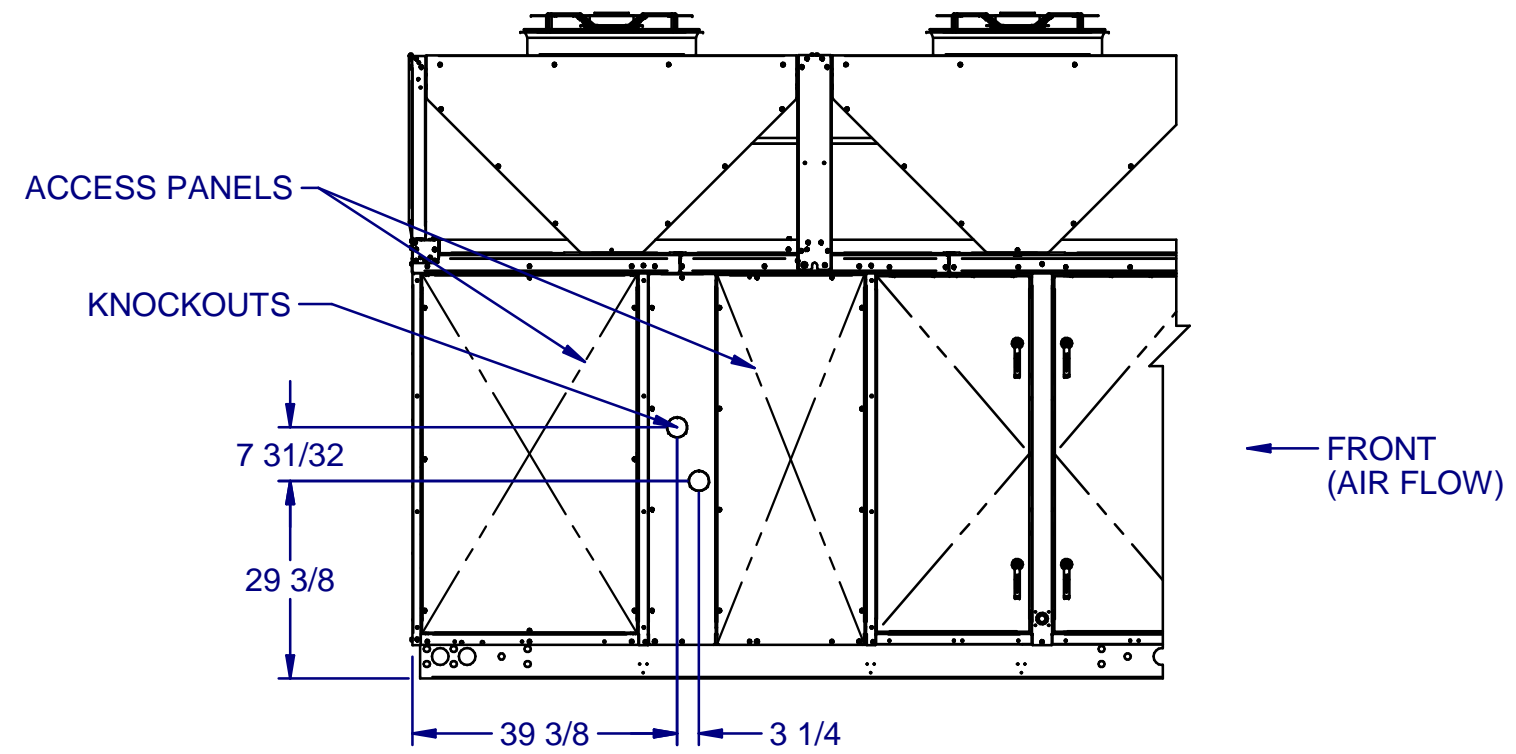
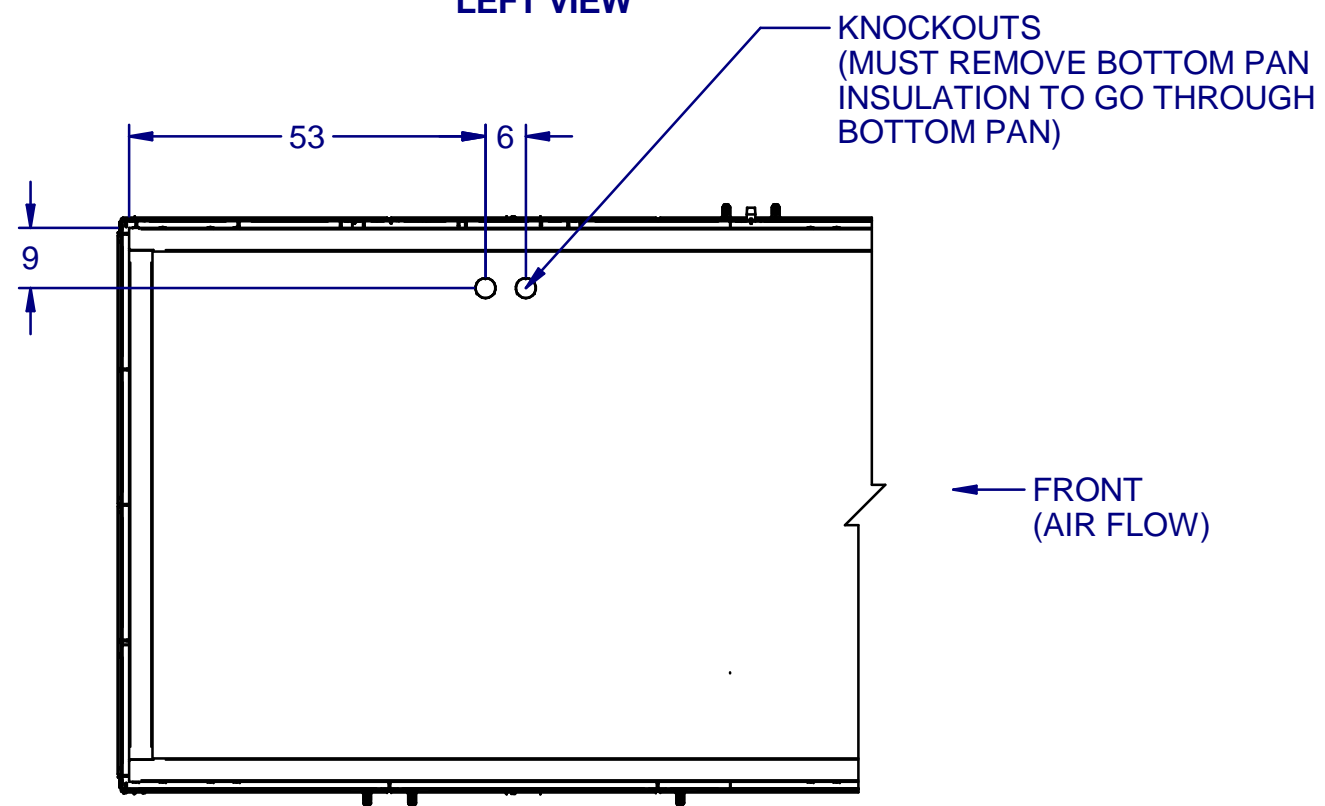


REV	DESCRIPTION	DATE	BY	CKD BY	PCN
-	-	-	-	-	-



LEFT VIEW



BOTTOM VIEW

TITLE		*RAK*/REK*/RMK*/RRK HWC (20t-45t) S5			
DATE	CKD	APPD	PART #	SHEET #	REV
4/3/2019	DW	GO		1 OF 1	A
EPR:	DRWN				
253	Josh.Ramsey	0795I-20634			