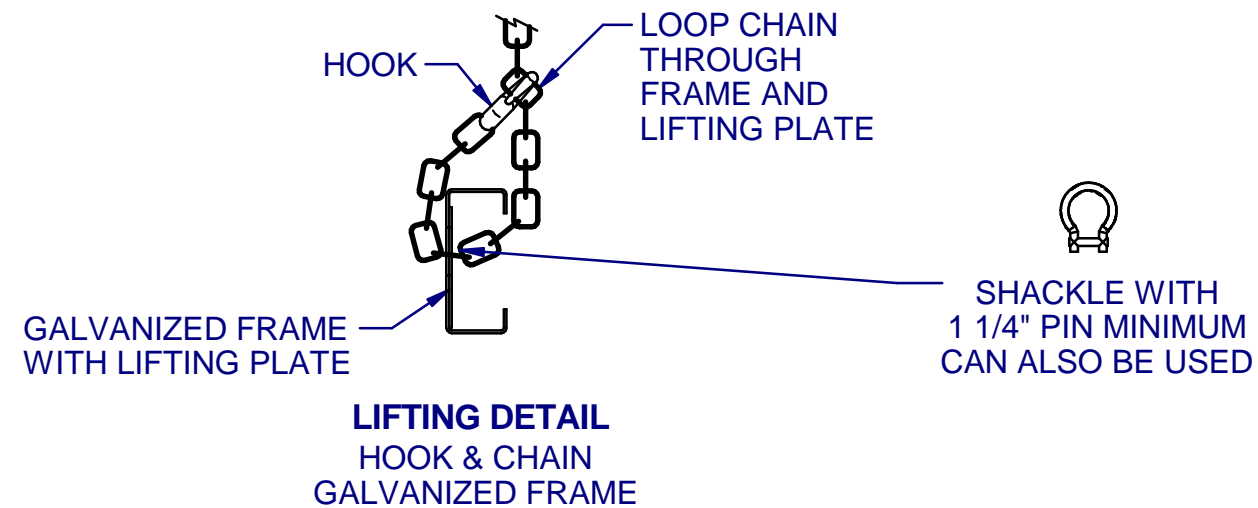
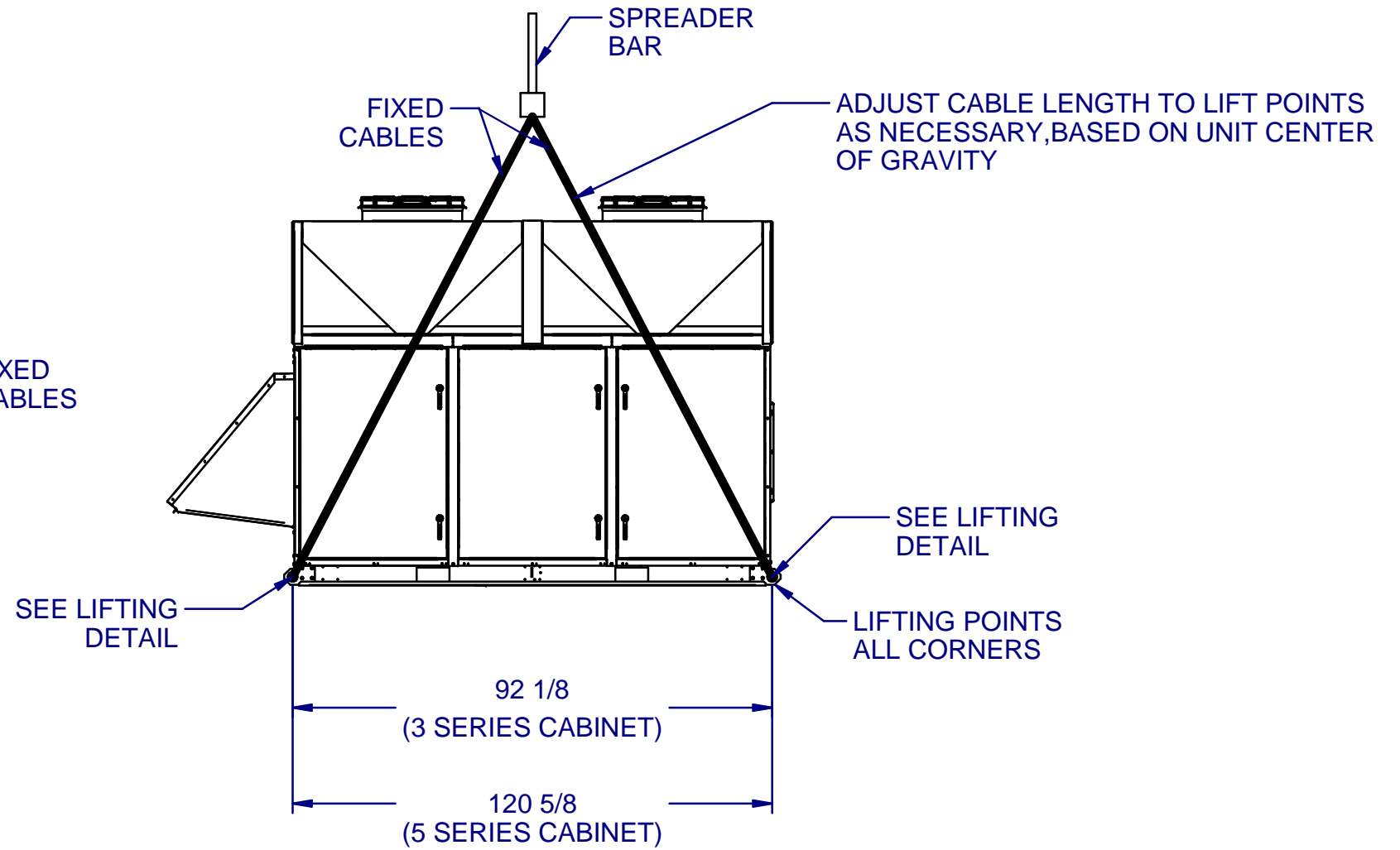
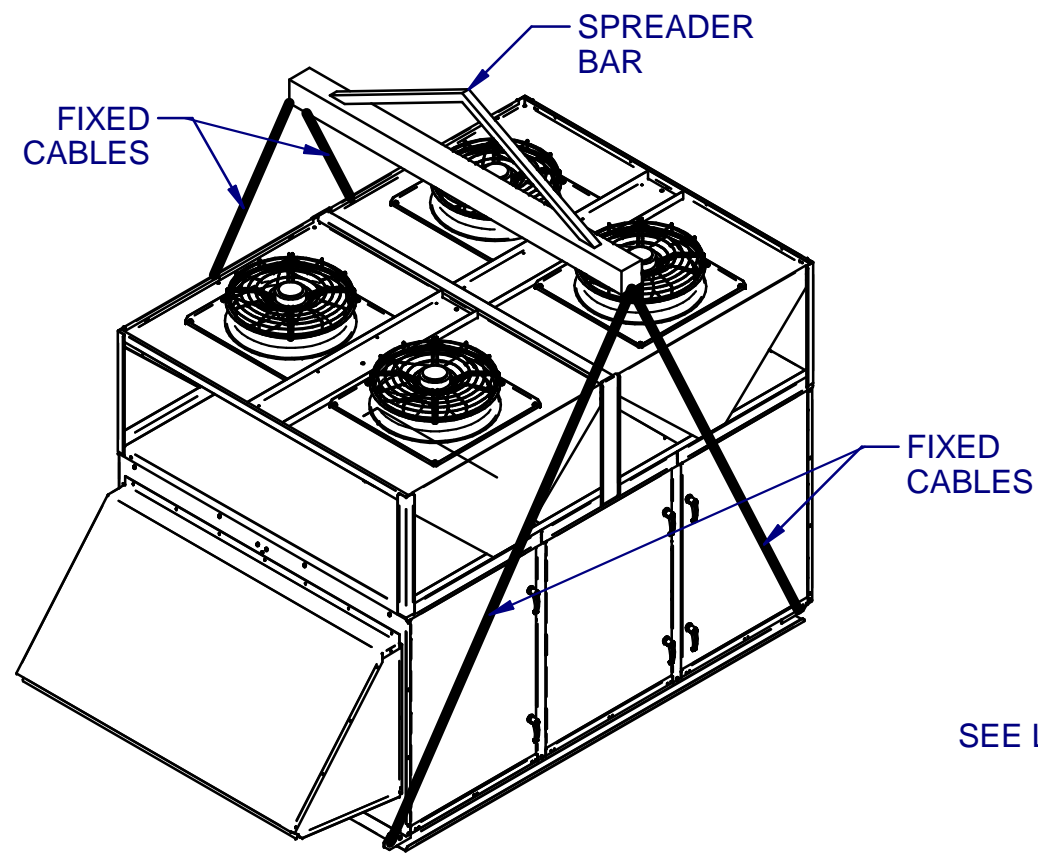


REV	DESCRIPTION	DATE	BY	CKD BY	PCN
A	INITIAL RELEASE	04/03/2019	JRR	DW	EPR 1747



TITLE					
<b>*RAK RIGGING INSTRUCTIONS</b>					
DATE	CKD	APPD	PART #	SHEET #	REV
4/3/2019	DW	GO		--	A
DRWN					
Josh.Ramsey			<b>0795I-20638</b>		