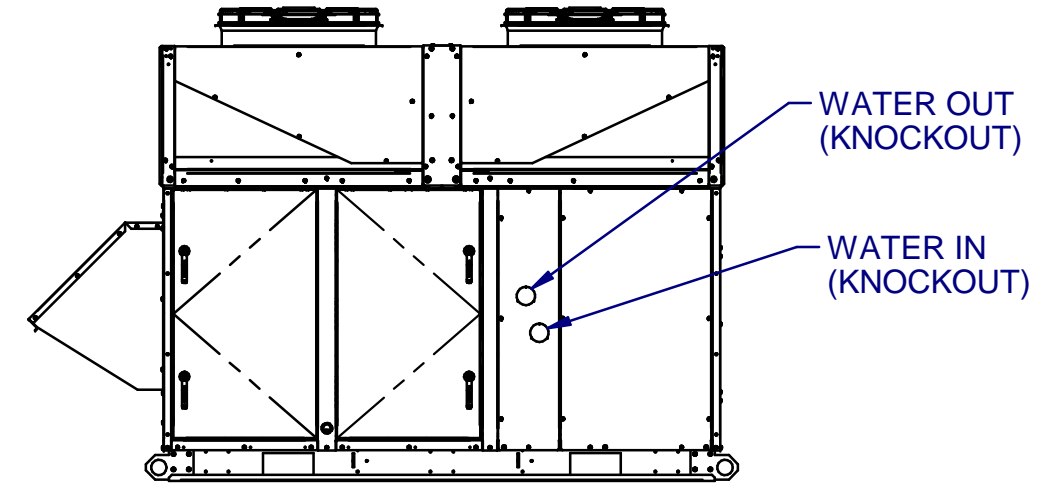
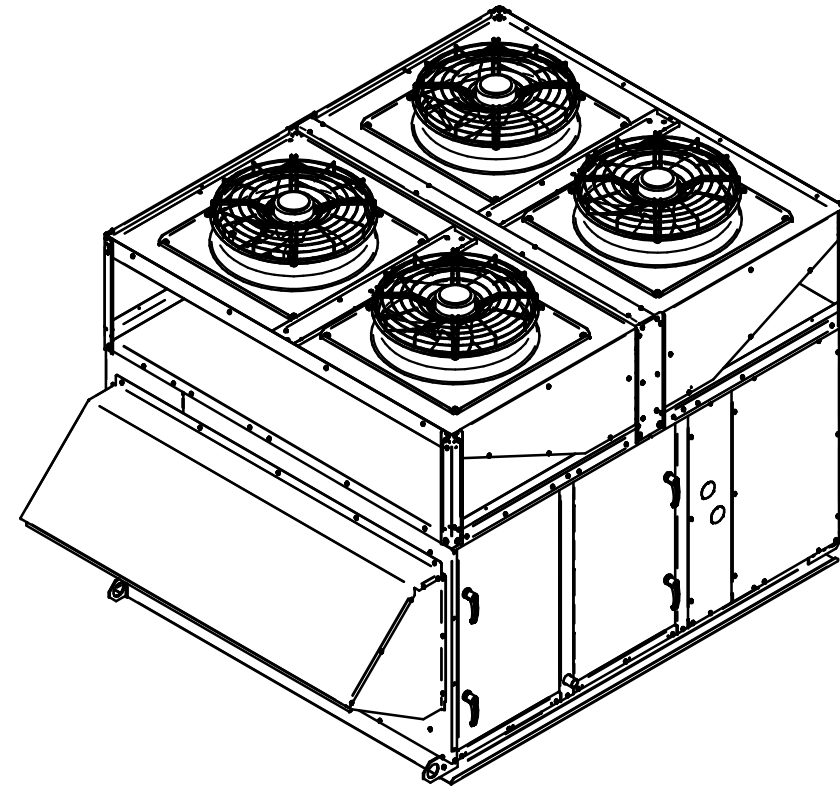
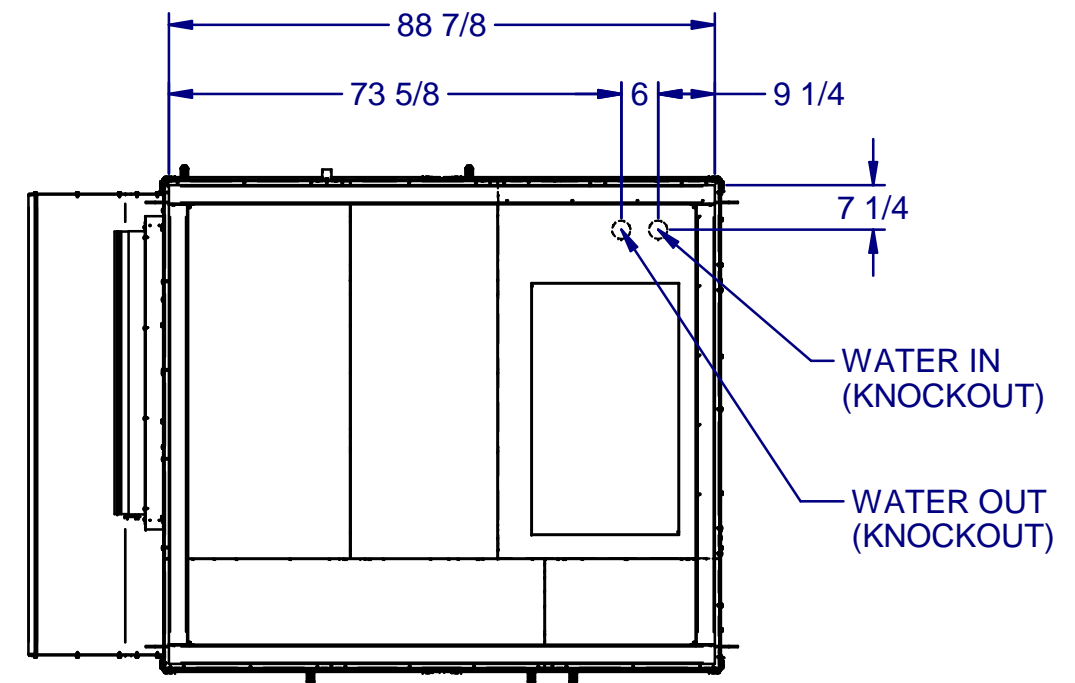


REV	DESCRIPTION	DATE	BY	CKD BY	PCN
A	INITIAL RELEASE	01/03/2019	JRR	DW	--



RIGHT VIEW



BOTTOM VIEW

TITLE						*RAK 3 SERIES CABINET - HWC			SHEET #		REV
DATE	CKD	APPD	PART #	SHEET #		REV					
4/12/2019	DW	GO	0795I-20646	--		A					
DRWN			Josh.Ramsey		0795I-20646		--		A		