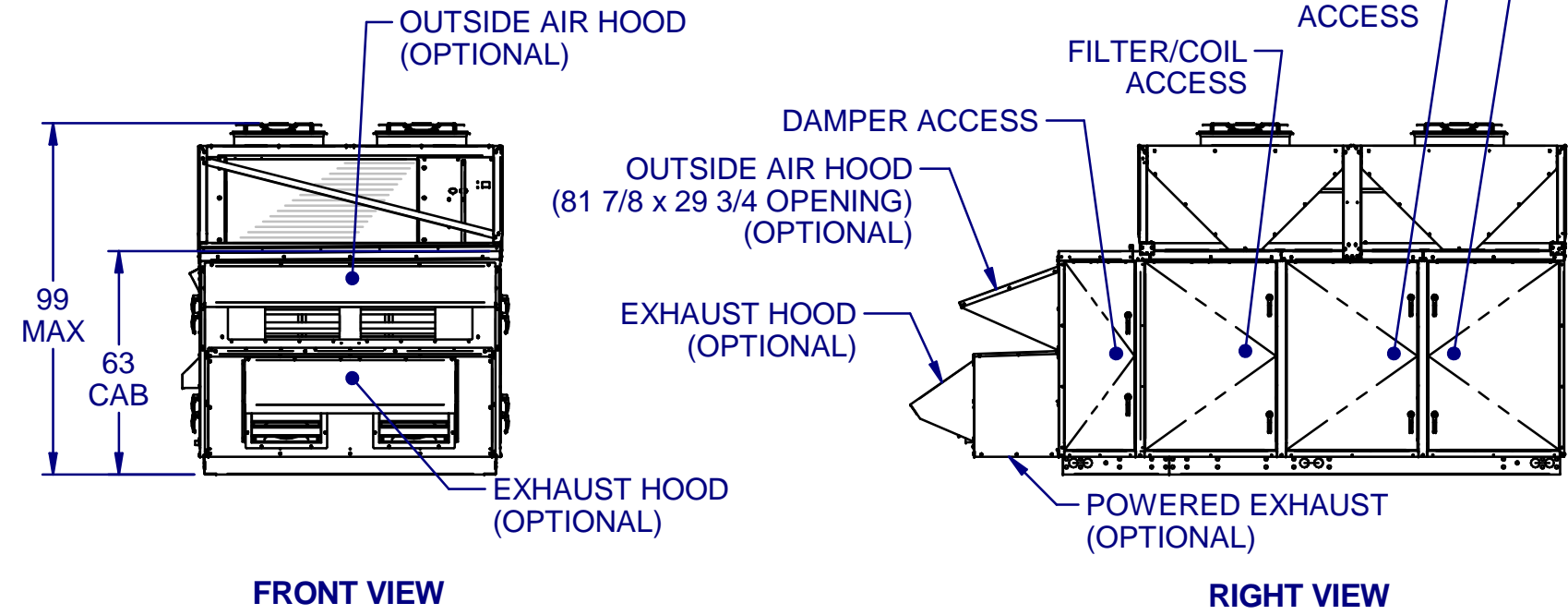
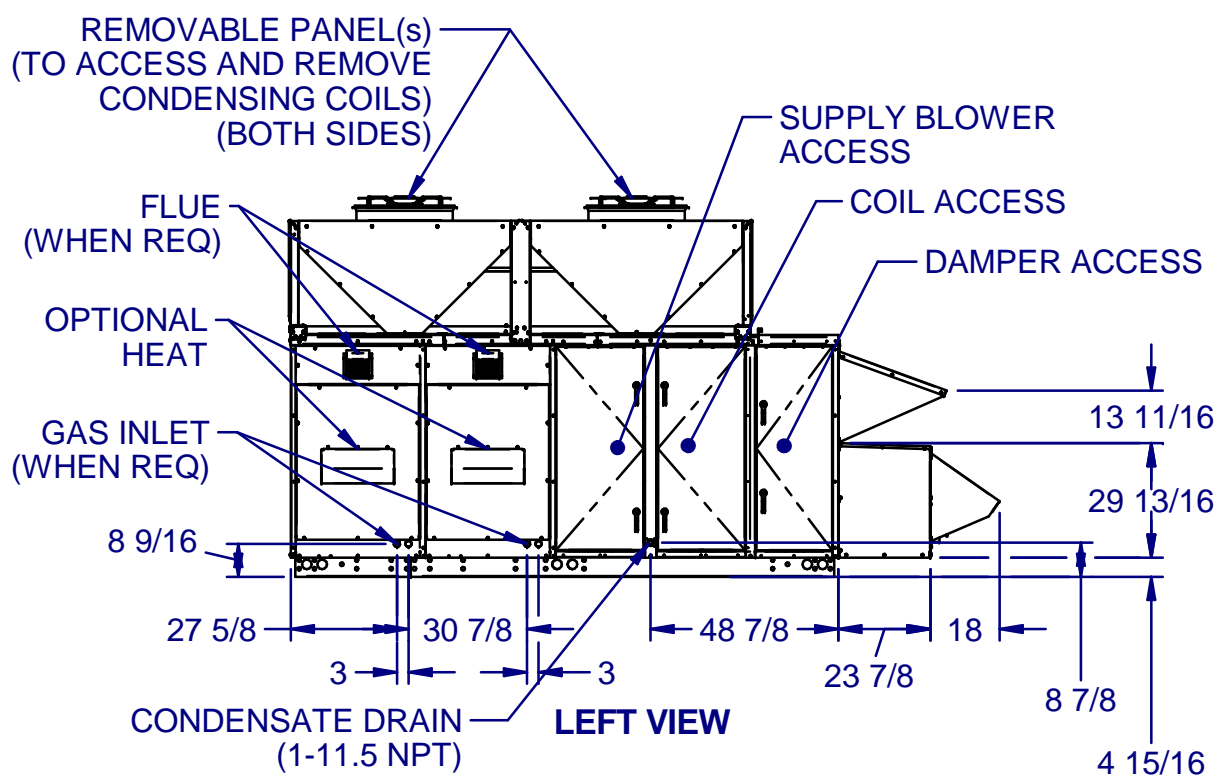
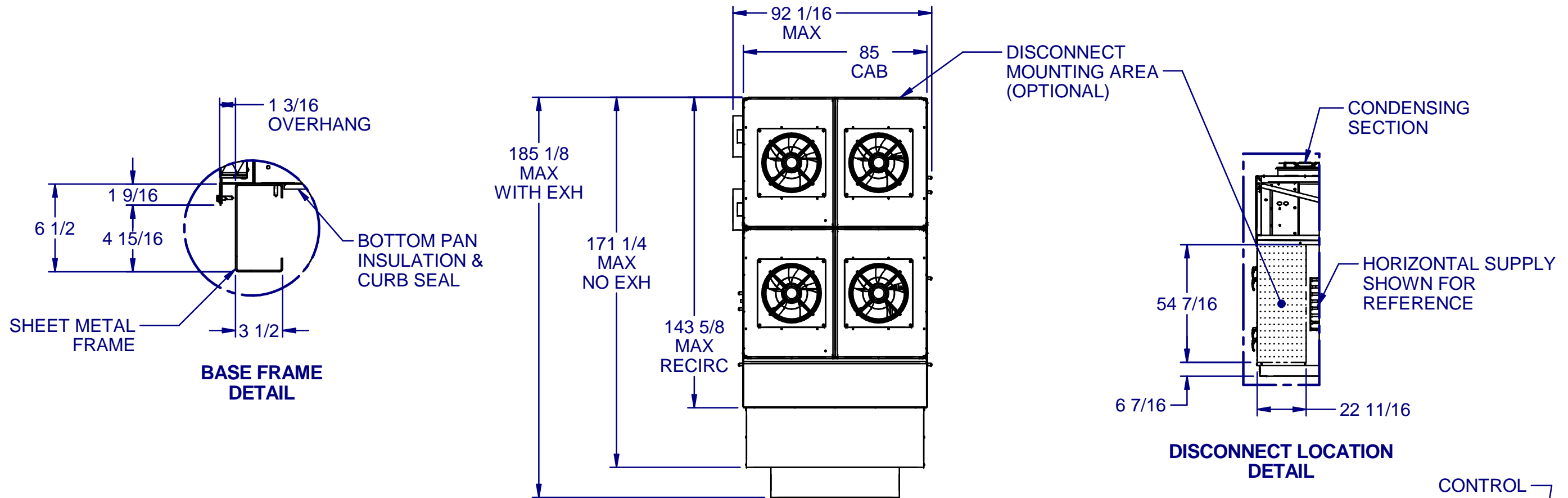


REV	DESCRIPTION	DATE	BY	CKD BY	PCN
-	-	-	-	-	-



TOP VIEW

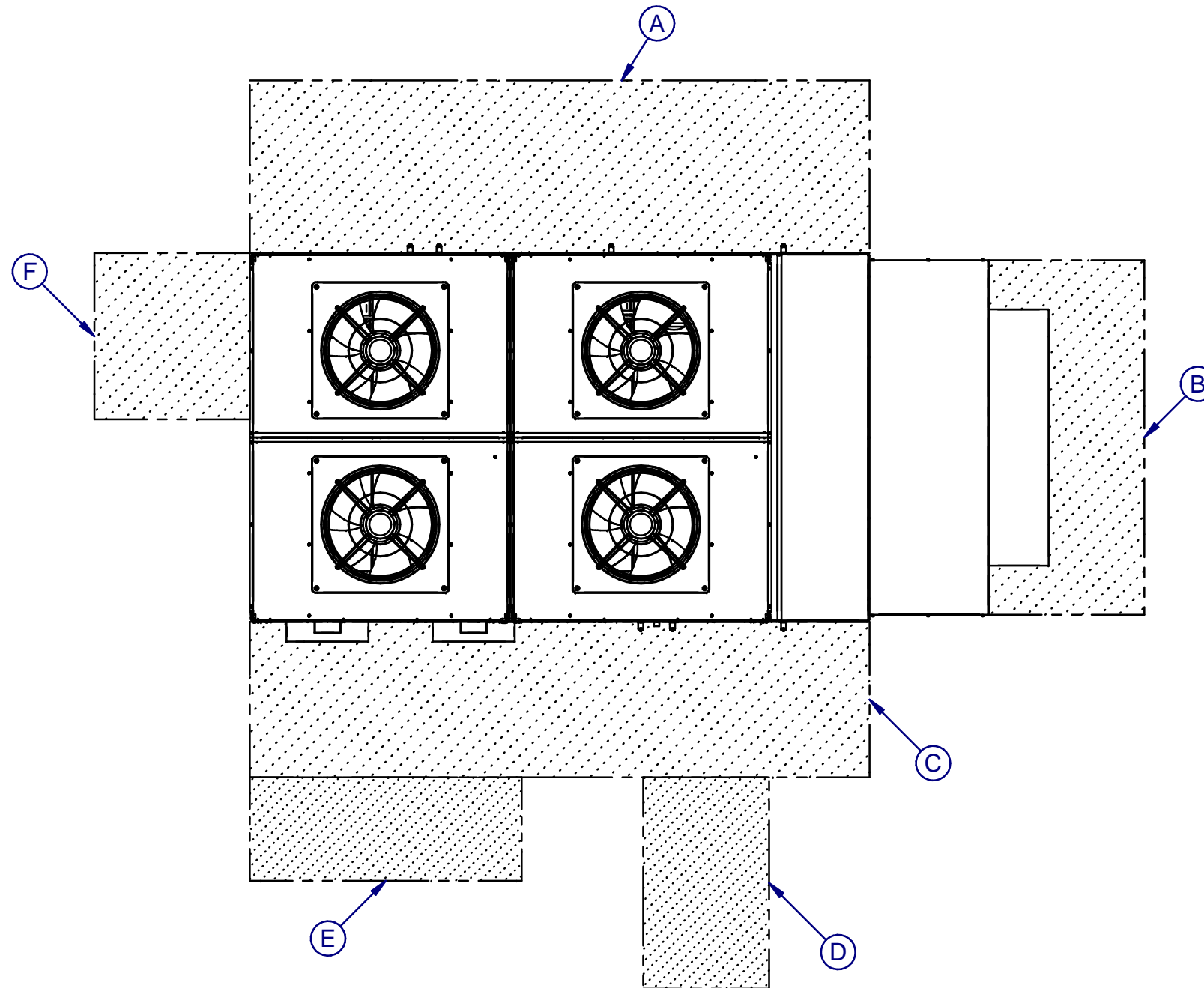
FRONT VIEW

RIGHT VIEW

TITLE *RAK*/RMK*/RRK WITH RETURN (20t-45t) S5

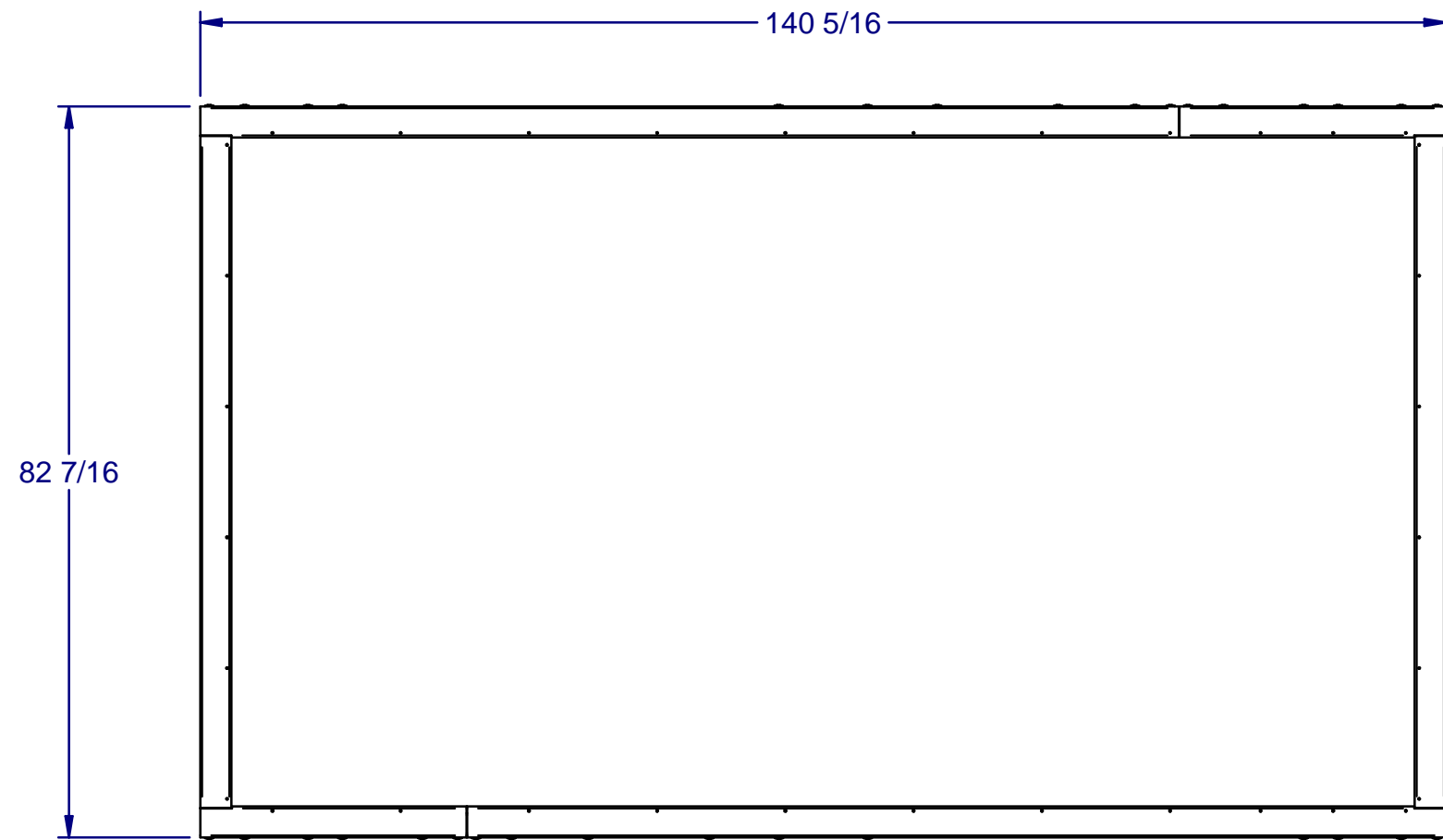
DATE 11/18/2020 CKD DW APPD GO PART # SHEET # REV

EPR: 253 DRWN josh.ramsey 07951-4841 1 OF 3 A



ITEM	REQ/ SUGGESTED	DESCRIPTION	DIMENSION (IN)
A	REQUIRED	CONTROLS, COMPRESSOR, SUPPLY BLOWER, AND COIL ACCESS	40
B	SUGGESTED	OUTSIDE AIR	36
C	REQUIRED	VFD, HEAT SOURCE(S), SUPPLY BLOWER, AND COIL ACCESS	36
D	SUGGESTED	TO REMOVE COILS	85
E	SUGGESTED	TO REMOVE HEAT SOURCE (WHEN APPLICABLE)	60
F	REQUIRED	DISCONNECT (OPTIONAL)	PER DISC REQUIREMENTS

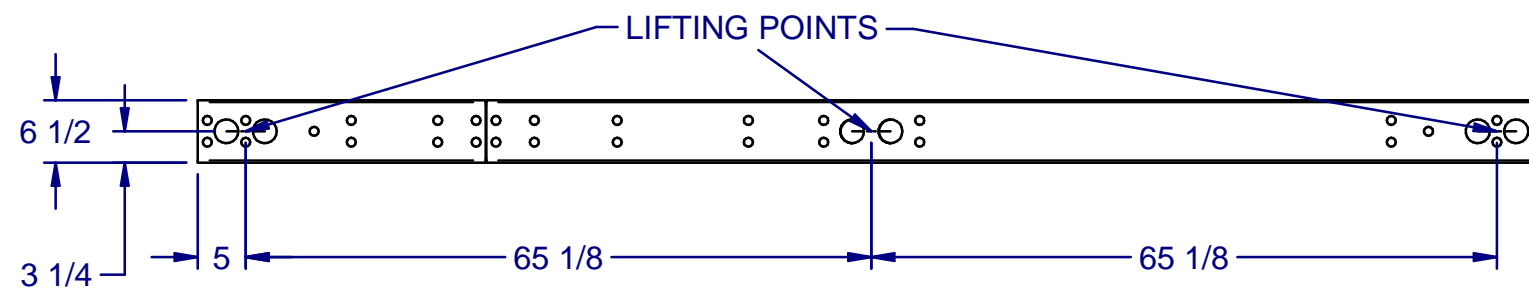
EPR: 253		DATE: 11/18/2020		CKD: DW	APPD: GO	TITLE: *RAK/*RMK/*RRK WITH RETURN (20t-45t) S5	
DRWN: josh.ramsey		PART #: 07951-4841		SHEET #: 2 OF 3		REV: A	



**BASE FRAME
TOP VIEW**



**BASE FRAME
END VIEW**



**BASE FRAME
SIDE VIEW**

TITLE				*RAK*/RMK*/RRK WITH RETURN (20t-45t) S5			
DATE	CKD	APPD	PART #	SHEET #	REV		
11/18/2020	DW	GO		3	OF 3	A	
EPR:	DRWN						
253	josh.ramsey	0795I-4841					