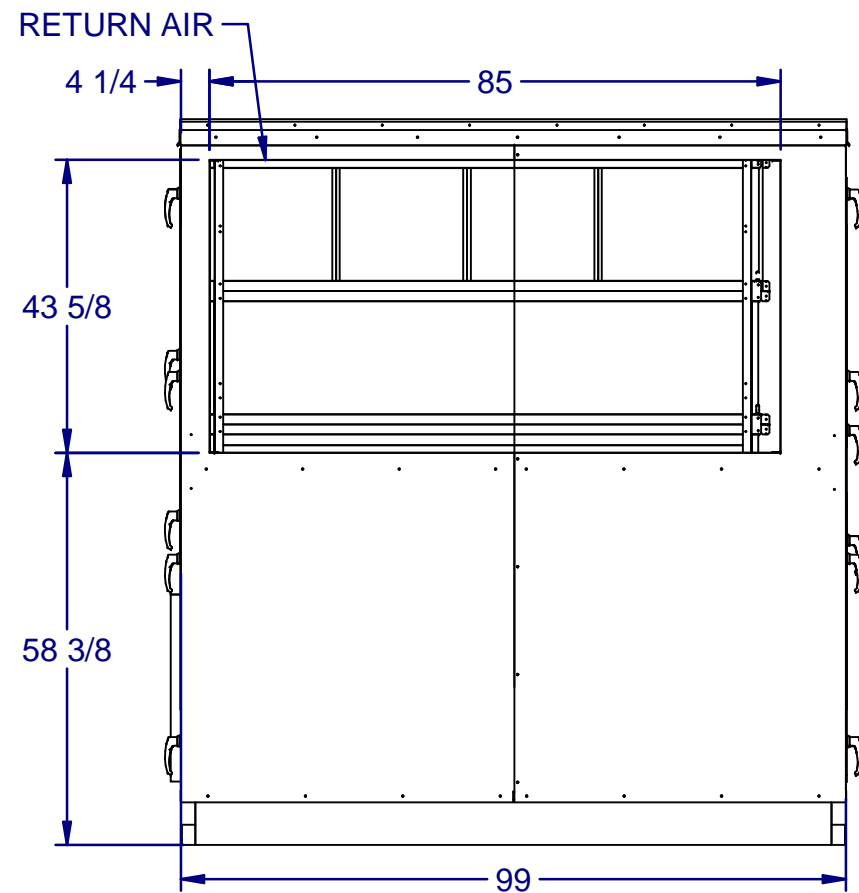
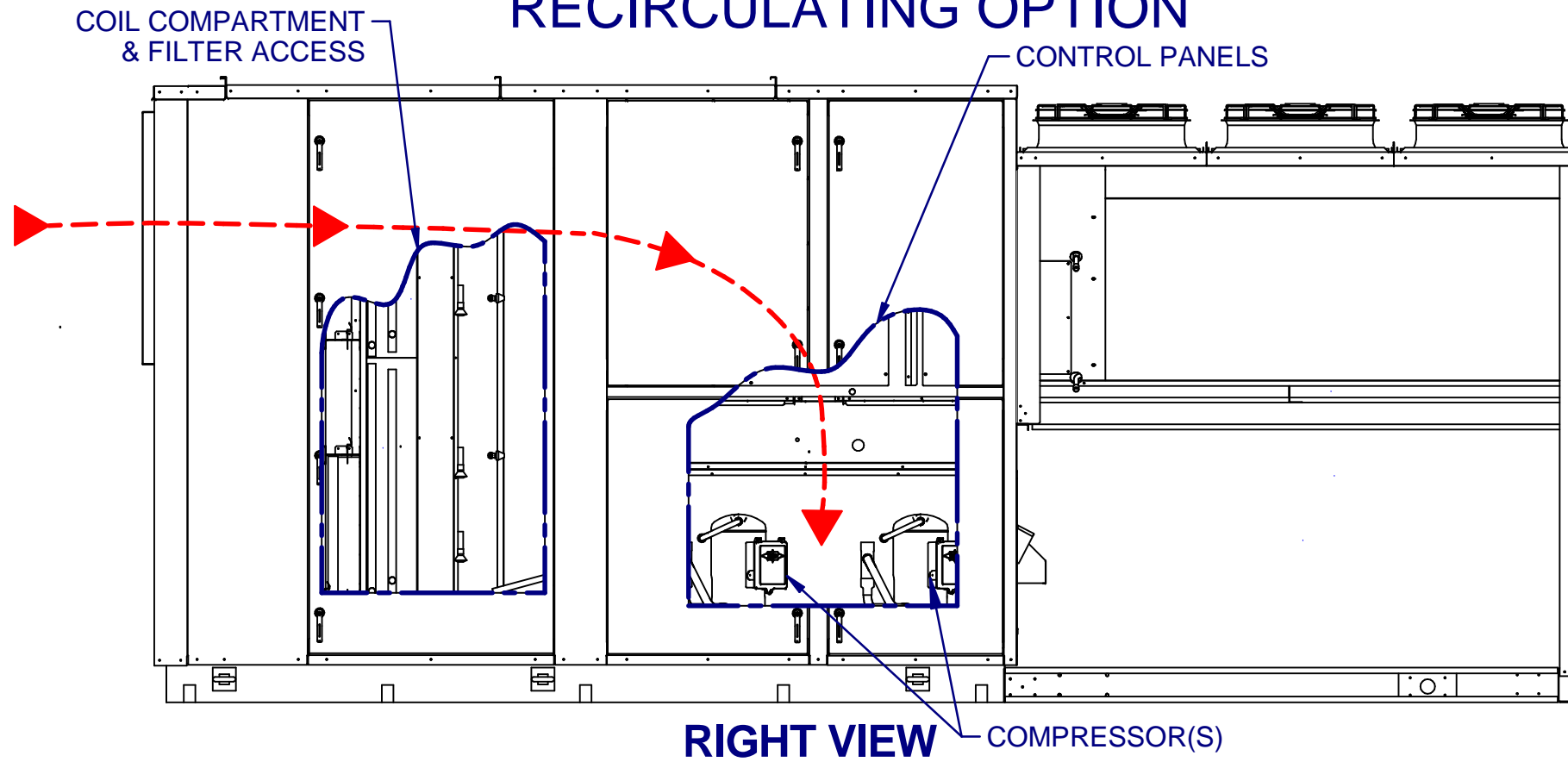
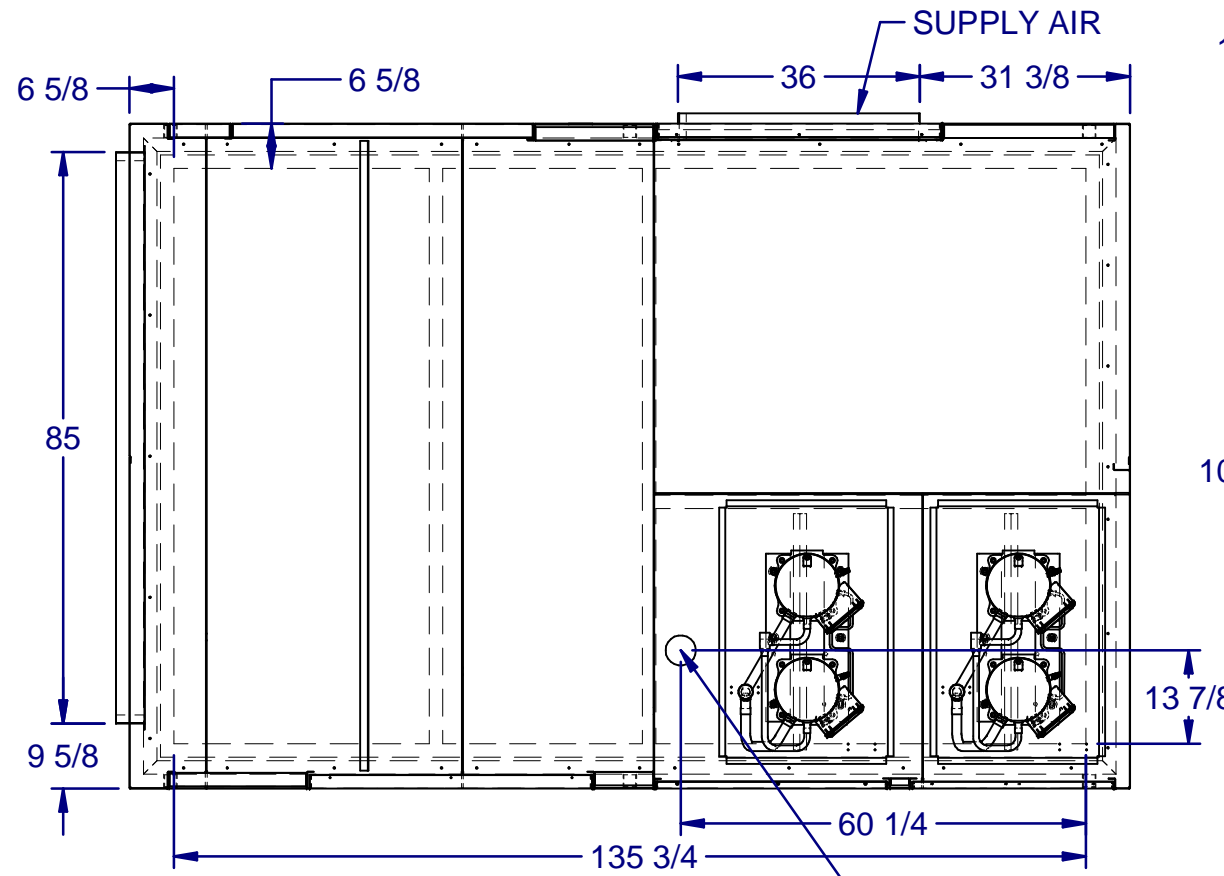


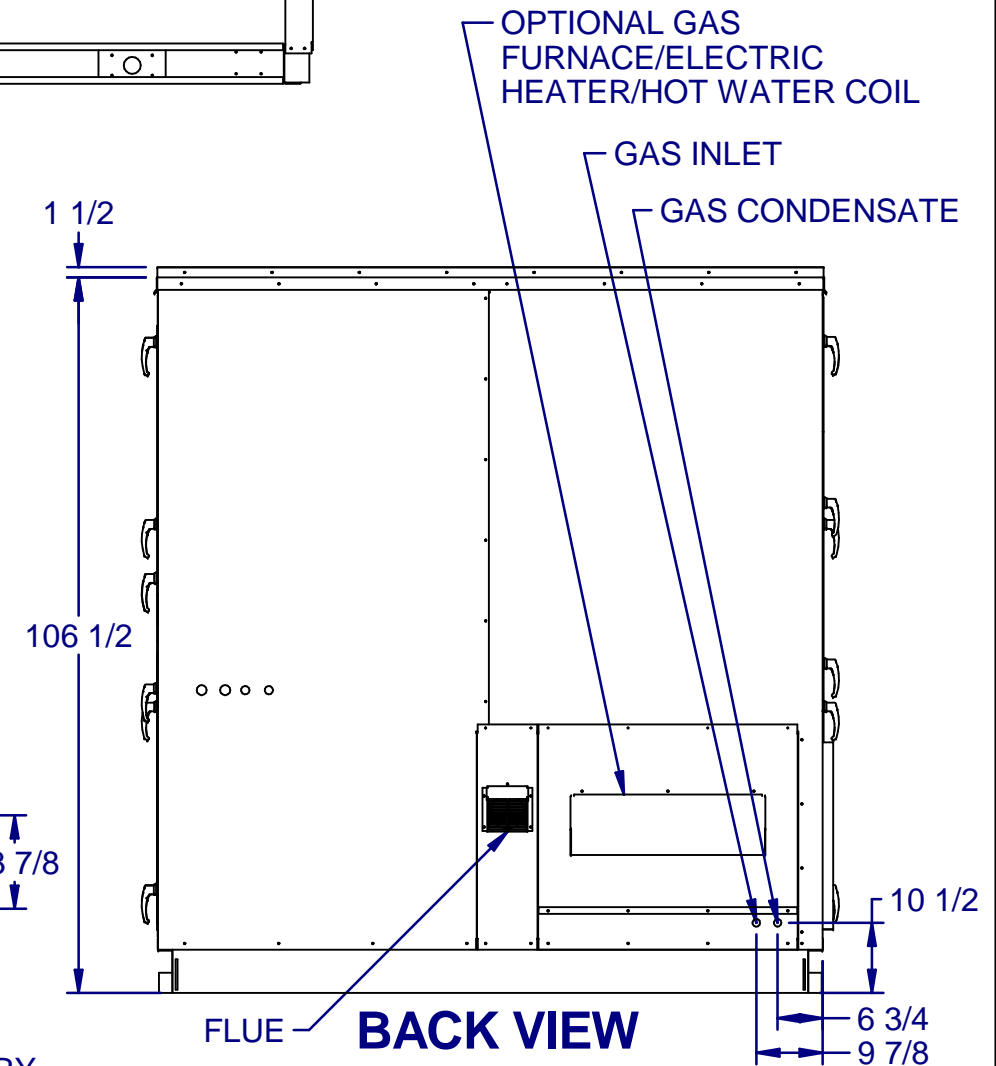
RECIRCULATING OPTION



FRONT VIEW



**TOP PLAN VIEW
CONDENSING SIDE
NOT SHOWN**



BACK VIEW

DRAWING NUMBER: 07951-4869-2 12/22/2020

TITLE: PR E6 SS END RTRN NO EXH CAB 1 OF 1