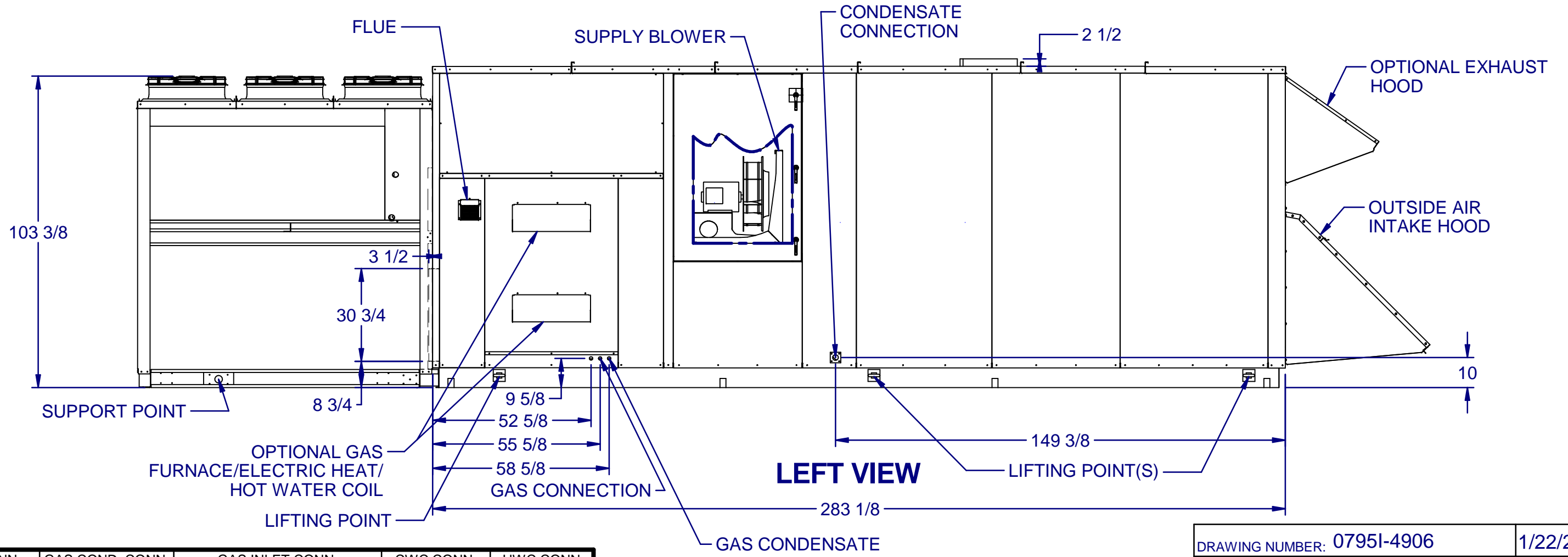


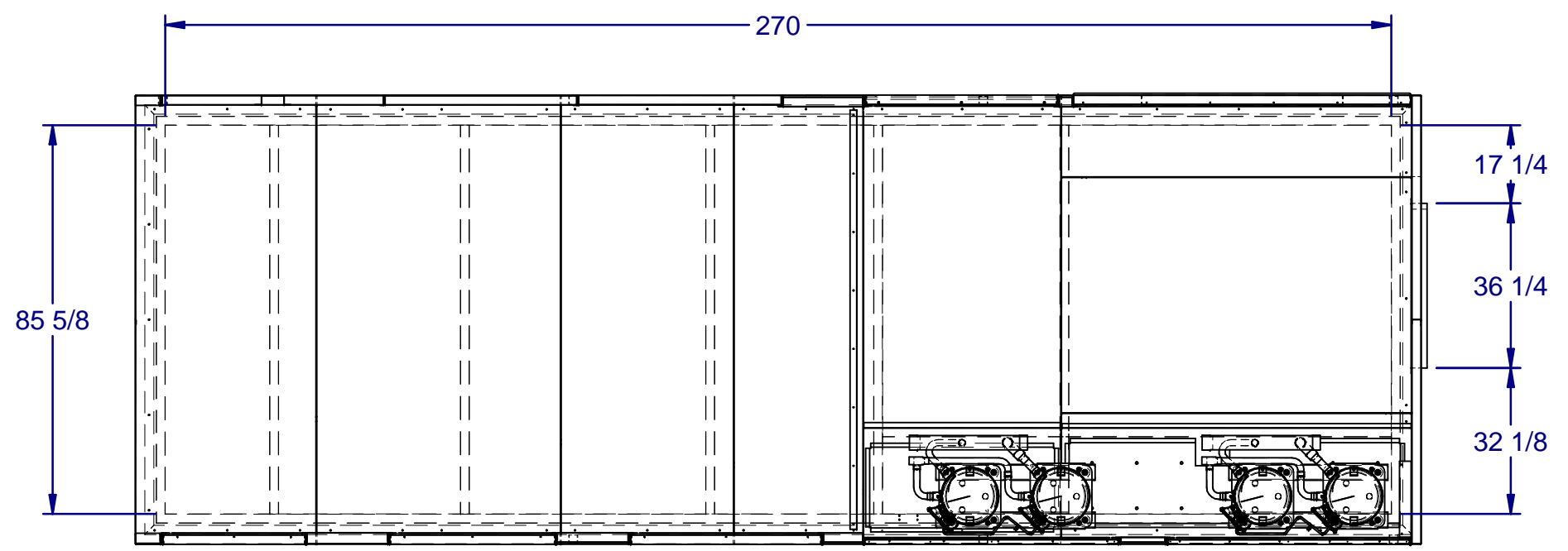
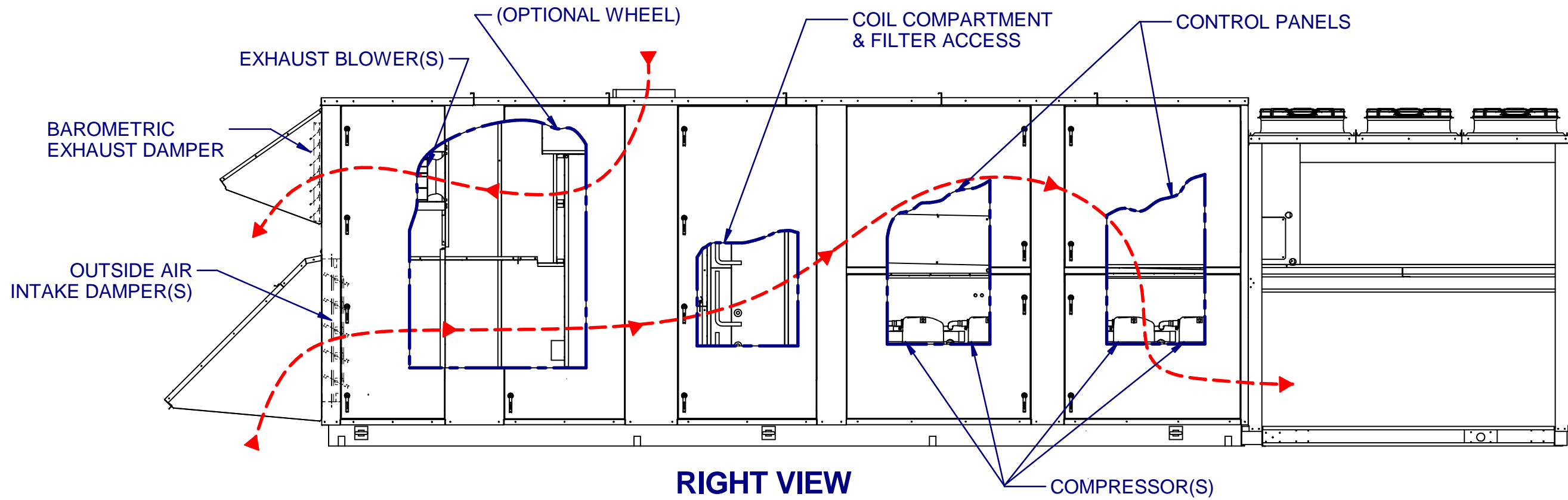
**TOP VIEW**



**LEFT VIEW**

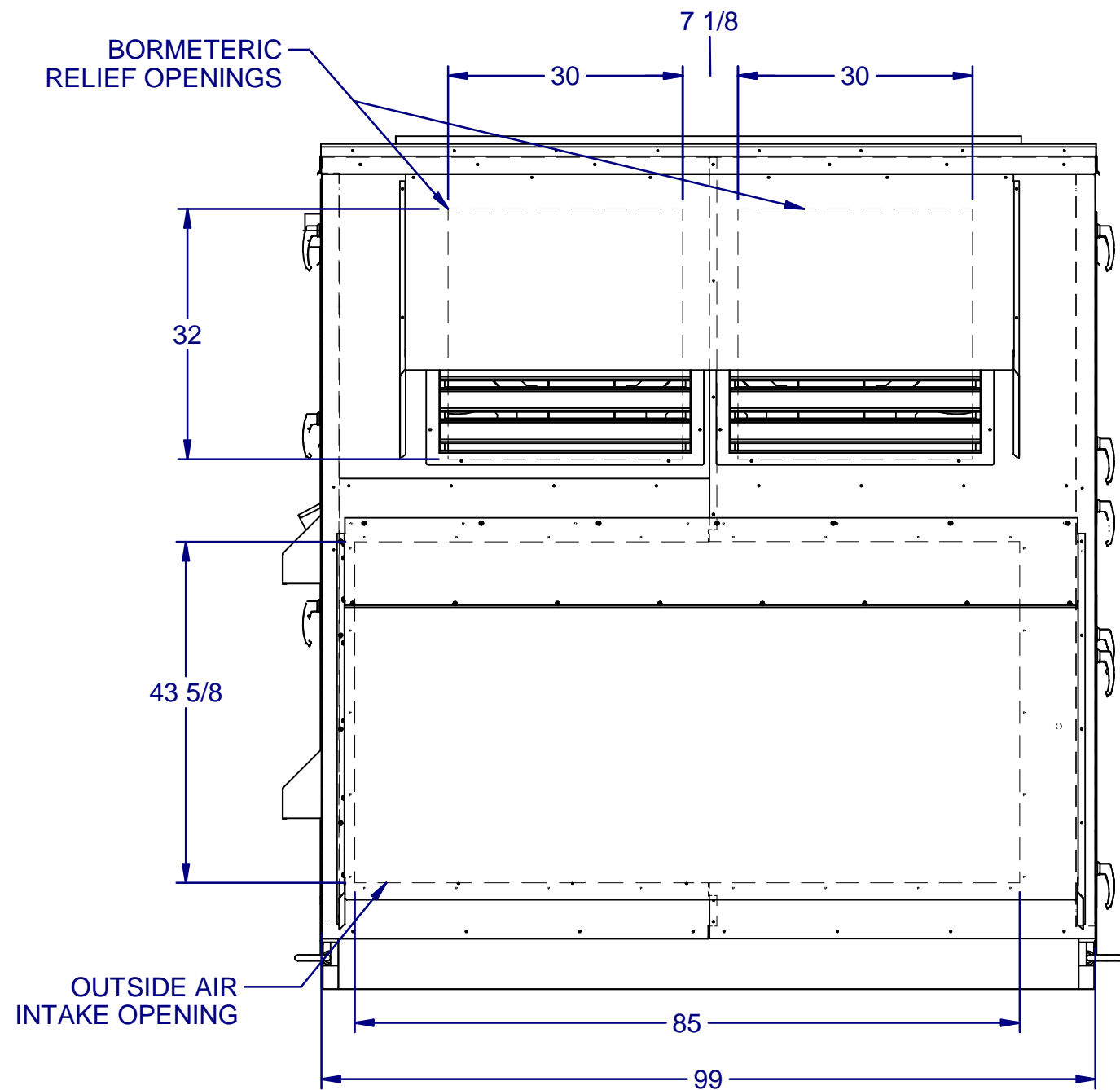
COND. CONN.	GAS COND. CONN.	GAS INLET CONN.	CWC CONN.	HWC CONN.
1 1/4" Ø FPT	1/2" Ø FPT	300-600MBH - 3/4"-1"Ø NPT	3 1/8" Ø	3 1/8" Ø

DRAWING NUMBER: 07951-4906	1/22/2021
TITLE: PR E6XL CAB TR - HS	1 OF 4

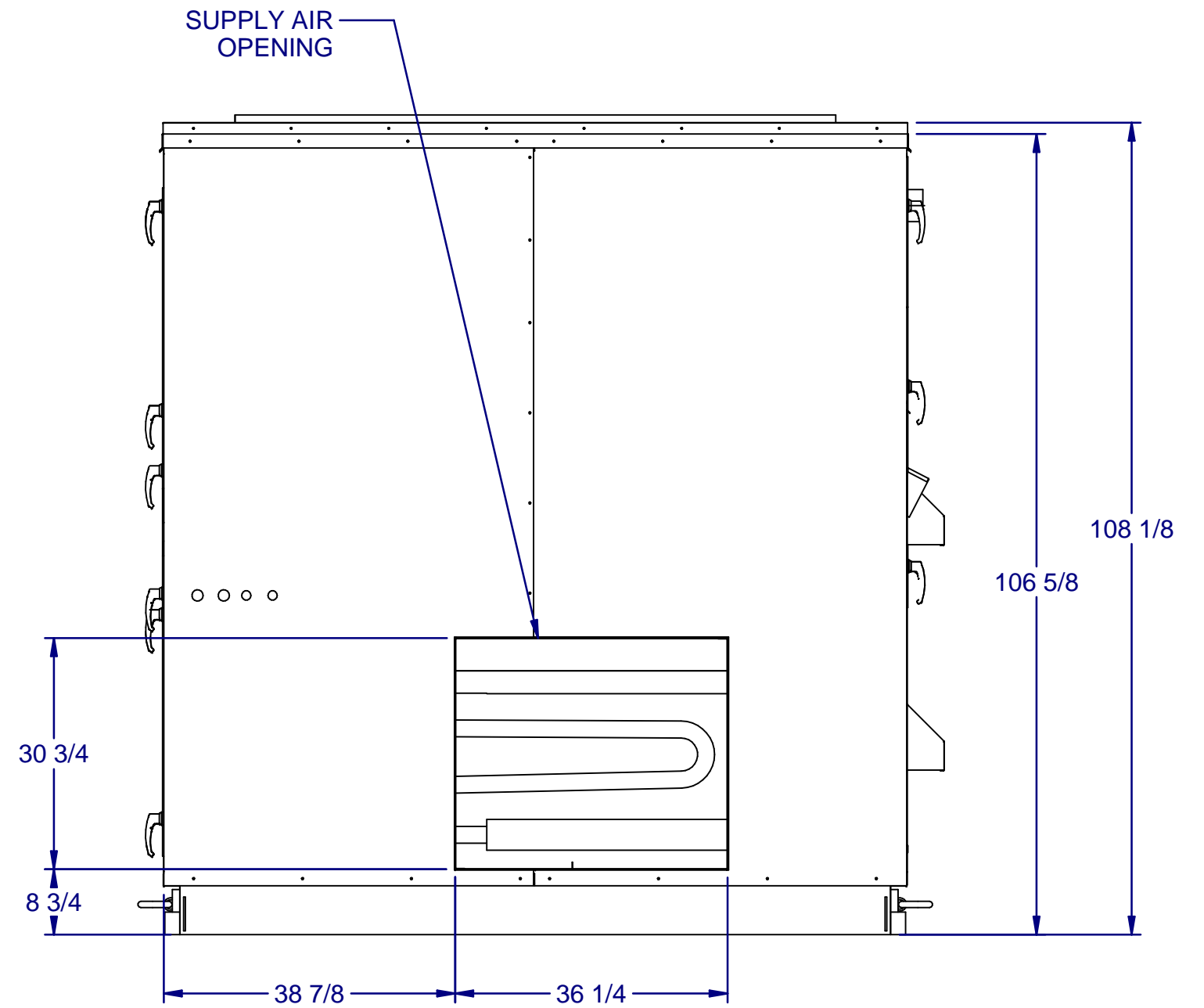


**TOP PLAN VIEW**  
**CONDENSING SIDE**  
**NOT SHOWN**

DRAWING NUMBER: 07951-4906	1/22/2021
TITLE: PR E6XL CAB TR - HS	2 OF 4

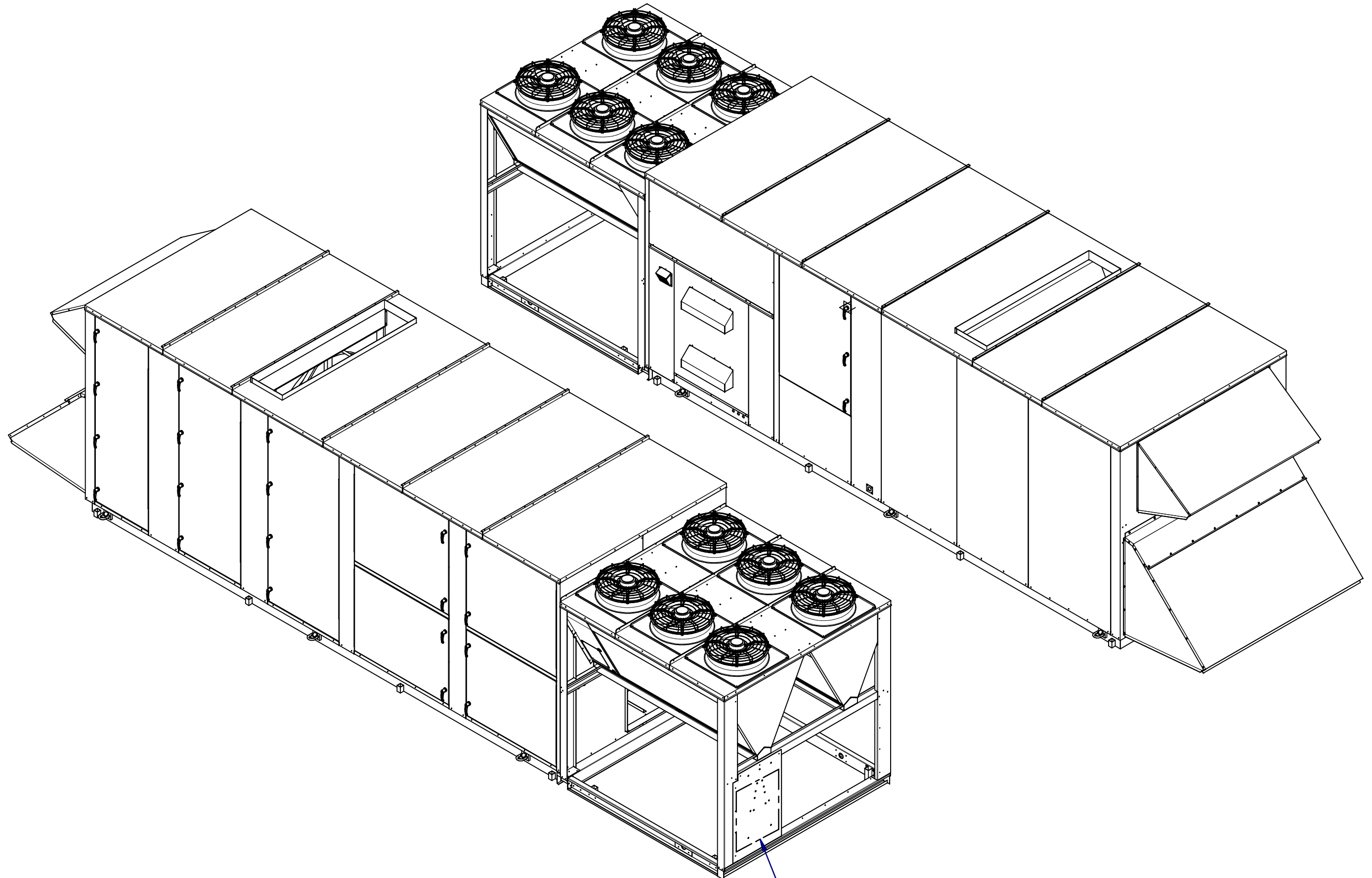


**FRONT VIEW**



**BACK VIEW**

DRAWING NUMBER: 07951-4906	1/22/2021
TITLE: PR E6XL CAB TR - HS	3 OF 4



OPTIONAL DISCONNECT  
LOCATION

DRAWING NUMBER: 07951-4906	1/22/2021
TITLE: PR E6XL CAB TR - HS	4 OF 4