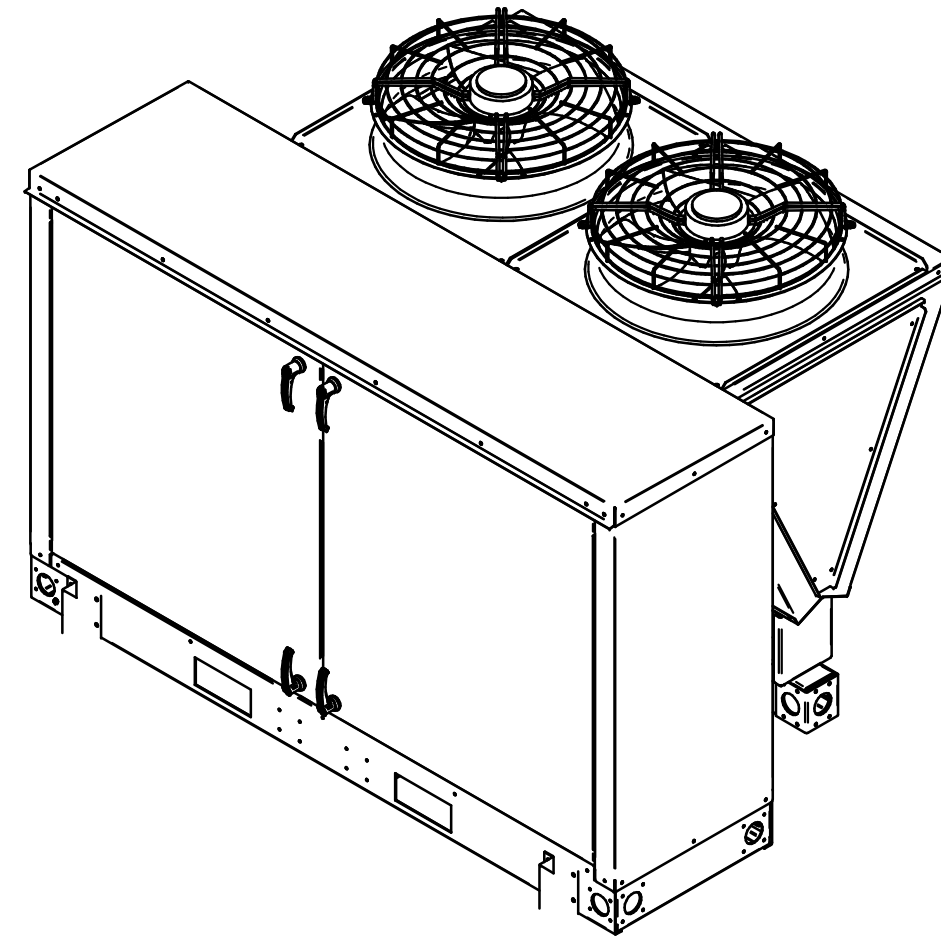
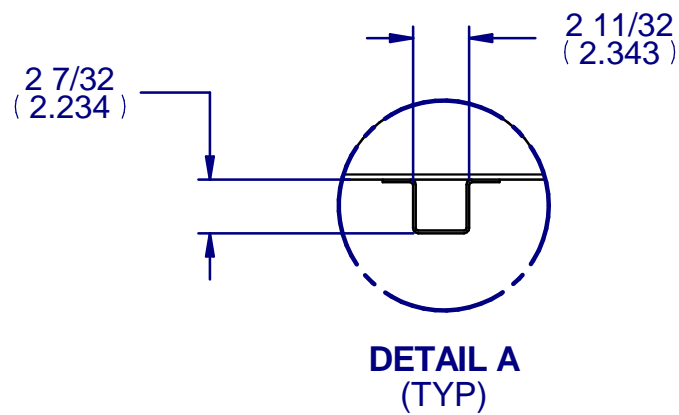
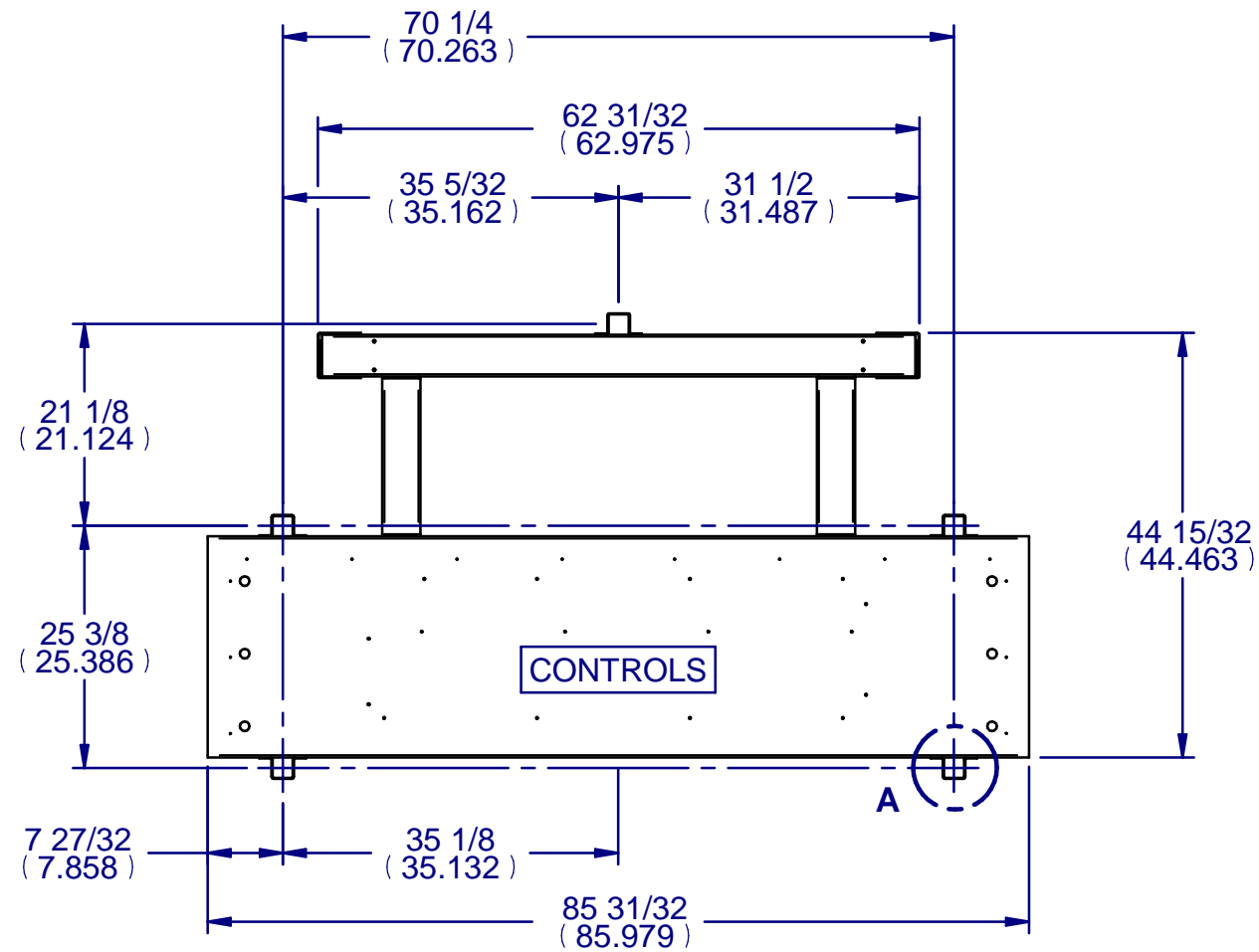




REV	DESCRIPTION	DATE	BY	CKD BY	PCN
-	-	-	-	-	-



**ISOLATOR RECOMMENDED LOCATIONS  
(FOR REFFERENCE ONLY)**

TITLE		<b>INSTR ISOLATOR MC B</b>	
EPR:	<b>2108</b>		
 <small>UNLESS OTHERWISE SPECIFIED</small>			
.X = .1	HOLE = .005		
.XX = .03	< = .5		
.XXX = .031	FRACTIONS = 1/32	PART NUMBER	
DATE	CKD	APPD	<b>0795I-4913</b>
<b>1/27/2021</b>	<b>JRR</b>	<b>GO</b>	
DRAWN		REV	
<b>Josh.Ramsey</b>		<b>A</b>	