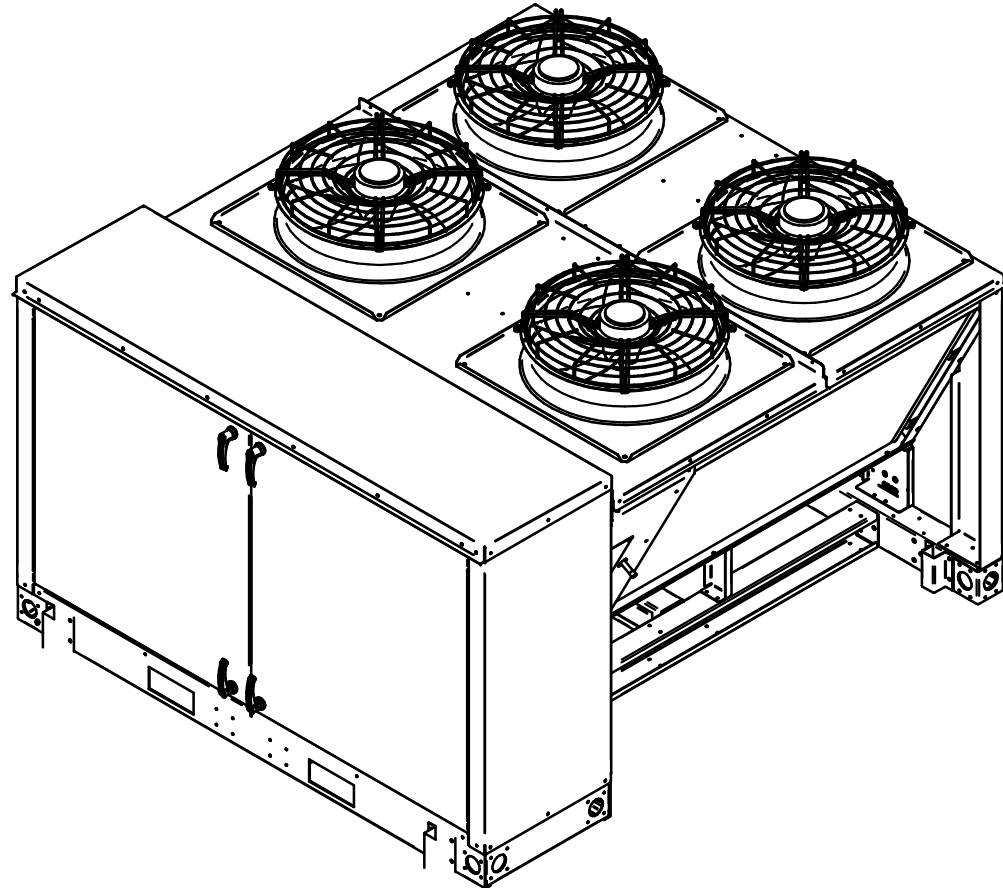
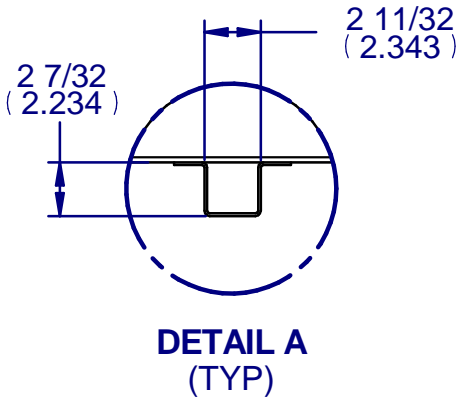
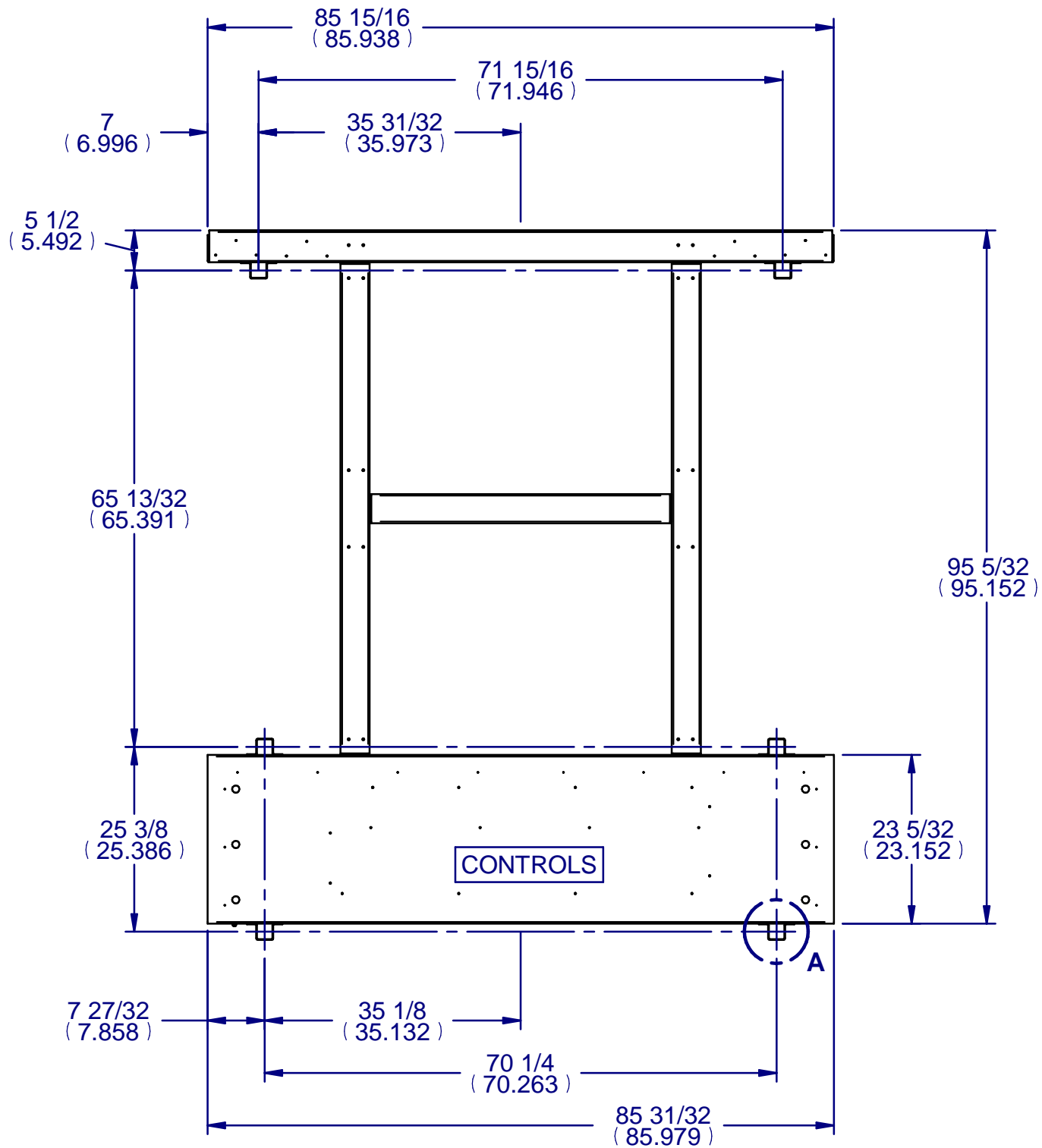
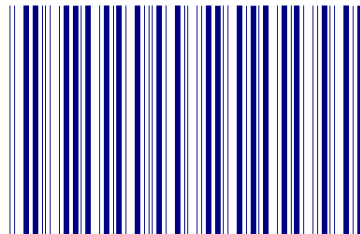



| REV | DESCRIPTION | DATE | BY | CKD BY | PCN |
|-----|-------------|------|----|--------|-----|
| - | - | - | - | - | - |



**ISOLATOR RECOMMENDED LOCATIONS
(FOR REFFERENCE ONLY)**

| | | | |
|--|------------------|---|----------|
| TITLE | | INSTR ISOLATOR MC C | |
| EPR: | 2108 |  | |
|  <small>UNLESS OTHERWISE SPECIFIED</small> | | | |
| .X = .1 | HOLE = .005 | | |
| .XX = .03 | < = .5 | PART NUMBER | |
| .XXX = .031 | FRACTIONS = 1/32 | 0795I-4914 | |
| DATE | CKD | APPD | REV |
| 1/27/2021 | JRR | GO | A |
| DRAWN | | PART NUMBER | |
| Josh.Ramsey | | 0795I-4914 | |