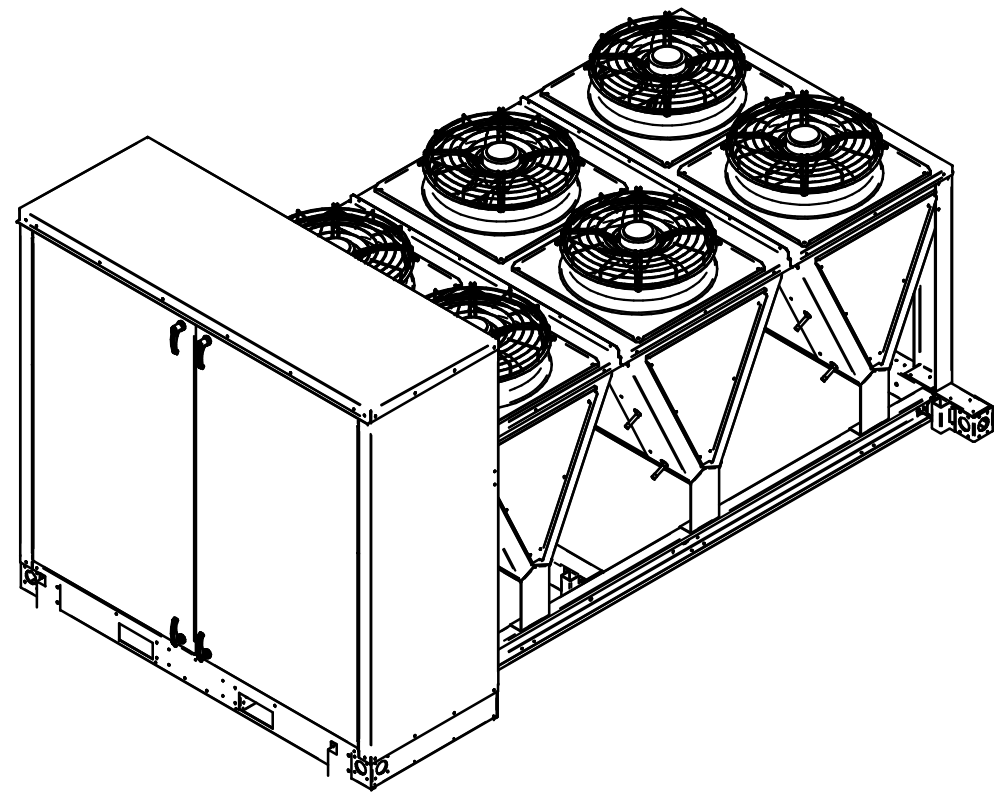
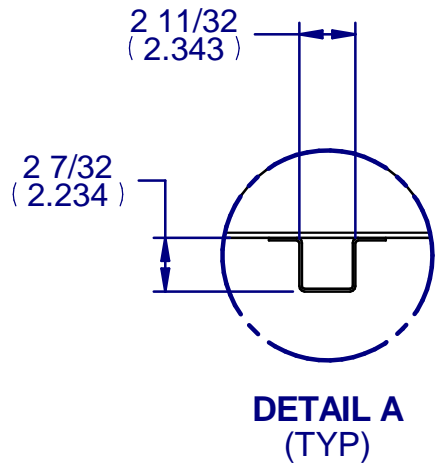
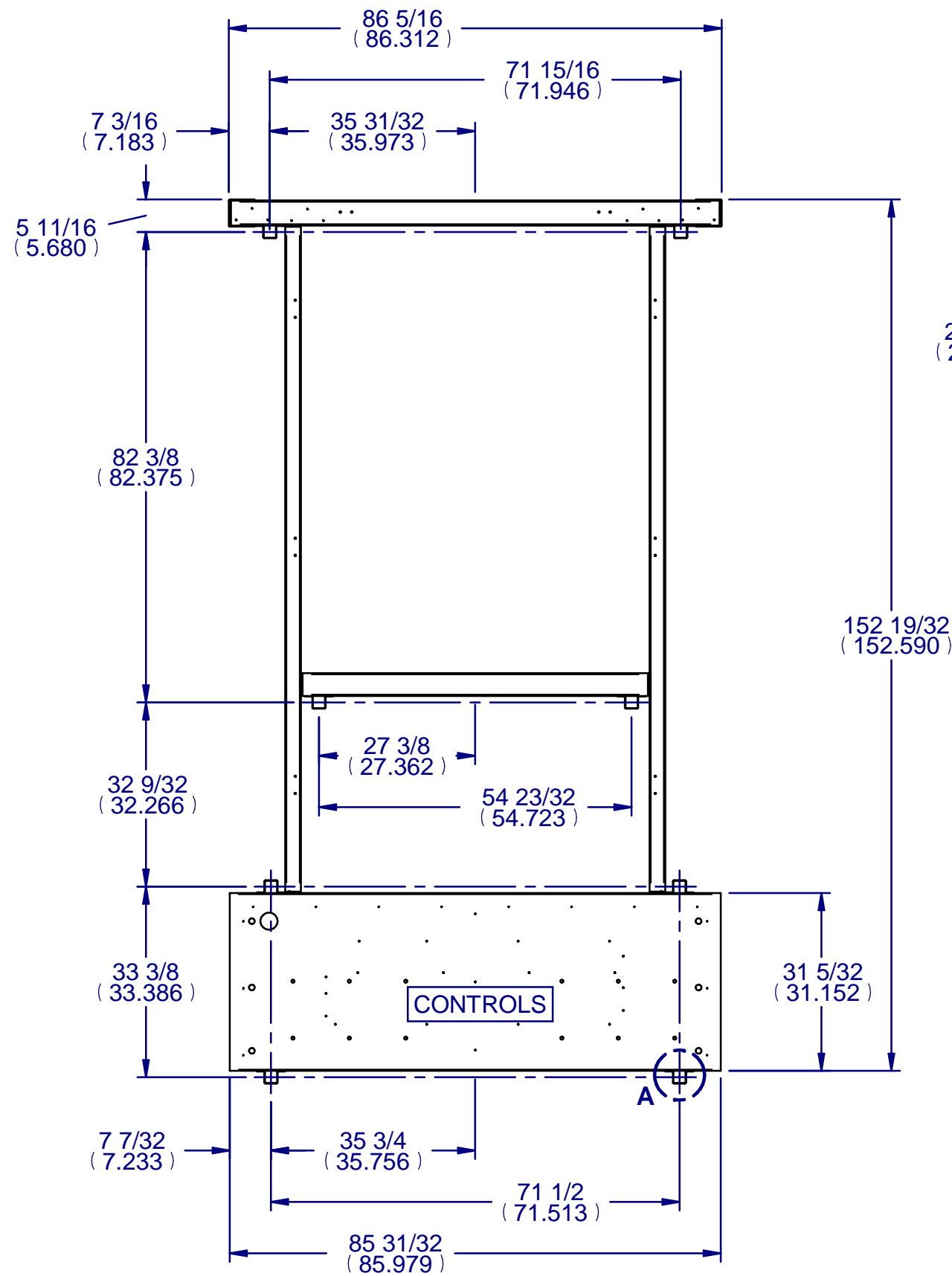


REV	DESCRIPTION	DATE	BY	CKD BY	PCN
-	-	-	-	-	-



**ISOLATOR RECOMMENDED LOCATIONS
(FOR REFFERENCE ONLY)**

TITLE		INSTR ISOLATOR MC D	
EPR:	2108		
TOLERANCES UNLESS OTHERWISE SPECIFIED			
.X = .1	HOLE = .005		
.XX = .03	< = .5	FRACTIONS = 1/32	
.XXX = .031			
DATE	CKD	APPD	PART NUMBER
1/27/2021	JRR	GO	07951-4915
DRAWN			REV
Josh.Ramsey			A