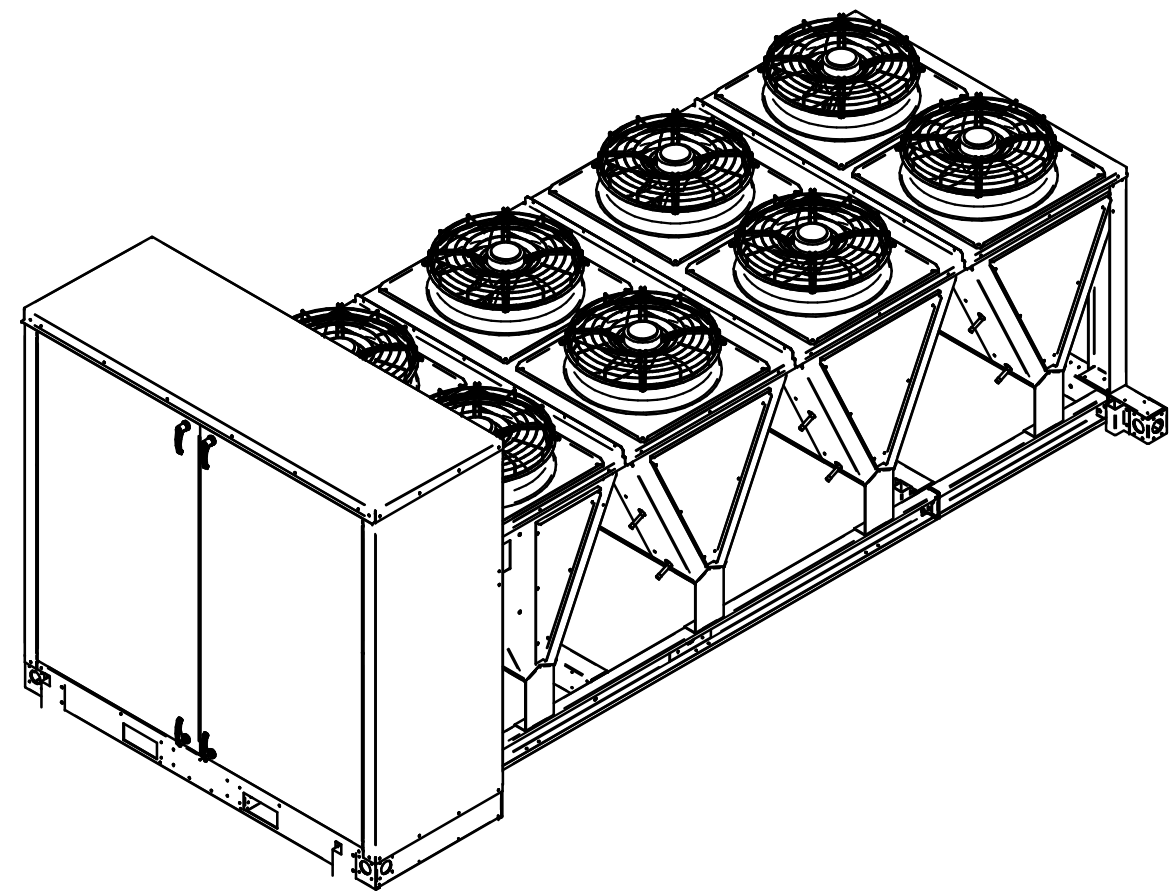
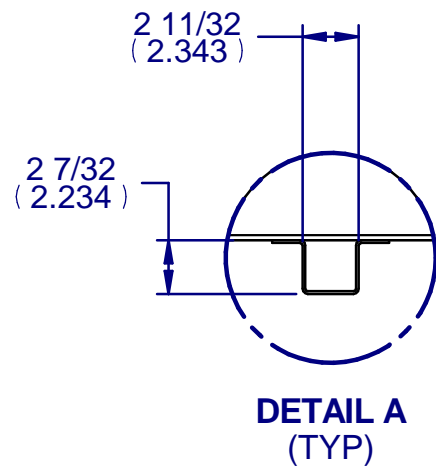
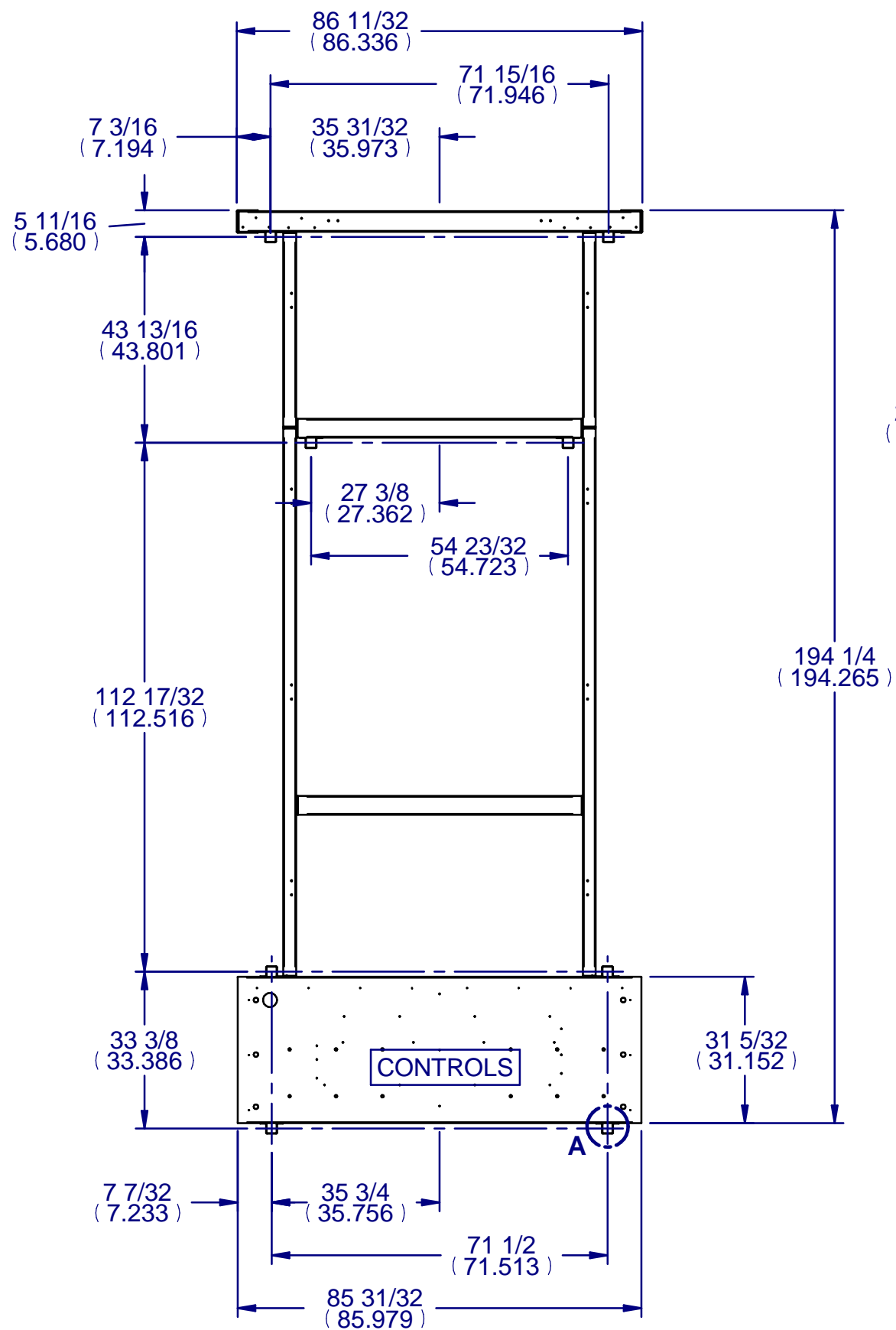


REV	DESCRIPTION	DATE	BY	CKD BY	PCN
-	-	-	-	-	-



**ISOLATOR RECOMMENDED LOCATIONS  
(FOR REFFERENCE ONLY)**

TITLE		<b>INSTR ISOLATOR MC E</b>	
EPR:	<b>2108</b>		
TOLERANCES UNLESS OTHERWISE SPECIFIED			
.X = .1 .XX = .03 .XXX = .031	HOLE = .005 FRACTIONS = 1/32		
DATE	CKD	APPD	PART NUMBER
1/27/2021	JRR	GO	<b>07951-4916</b>
DRAWN	Josh.Ramsey		REV
			<b>A</b>