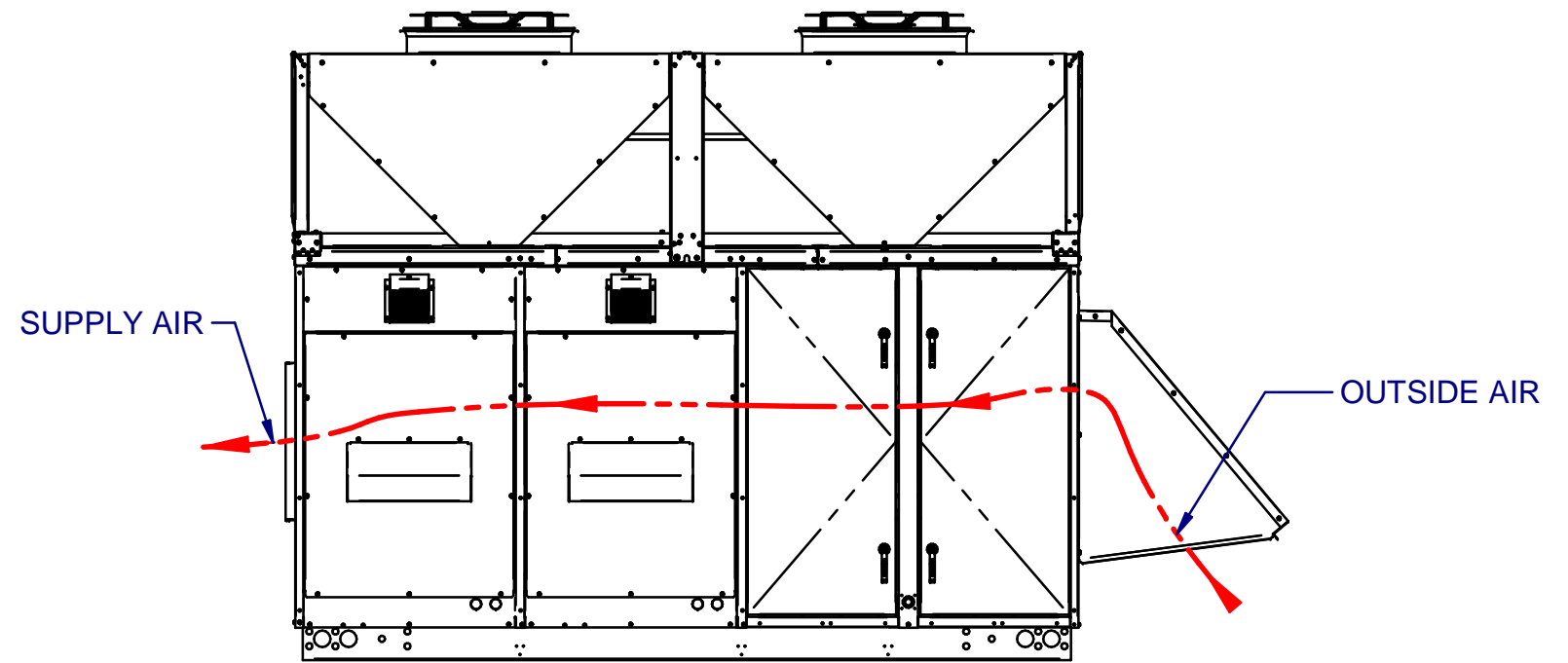
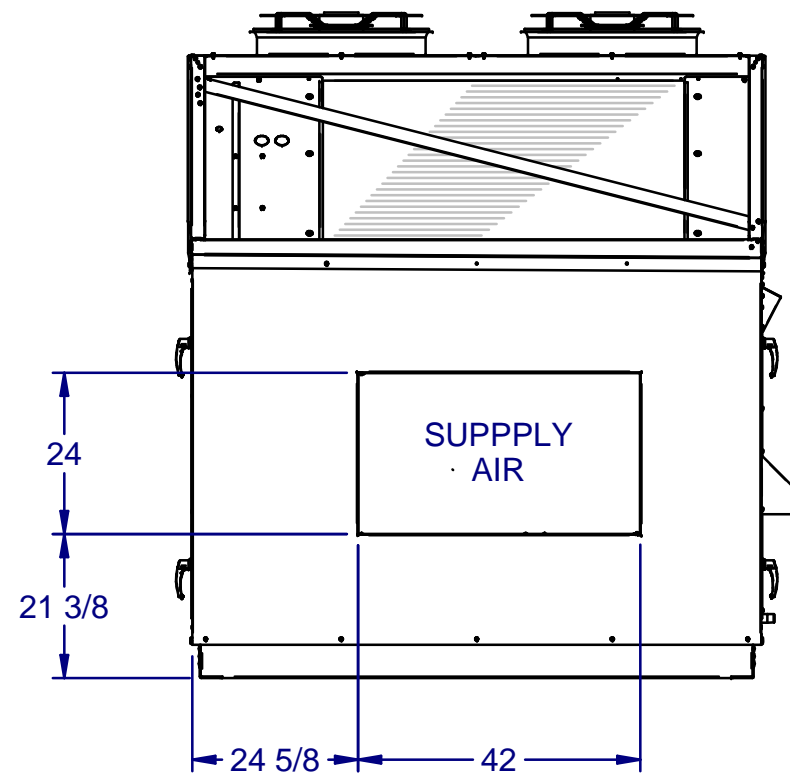
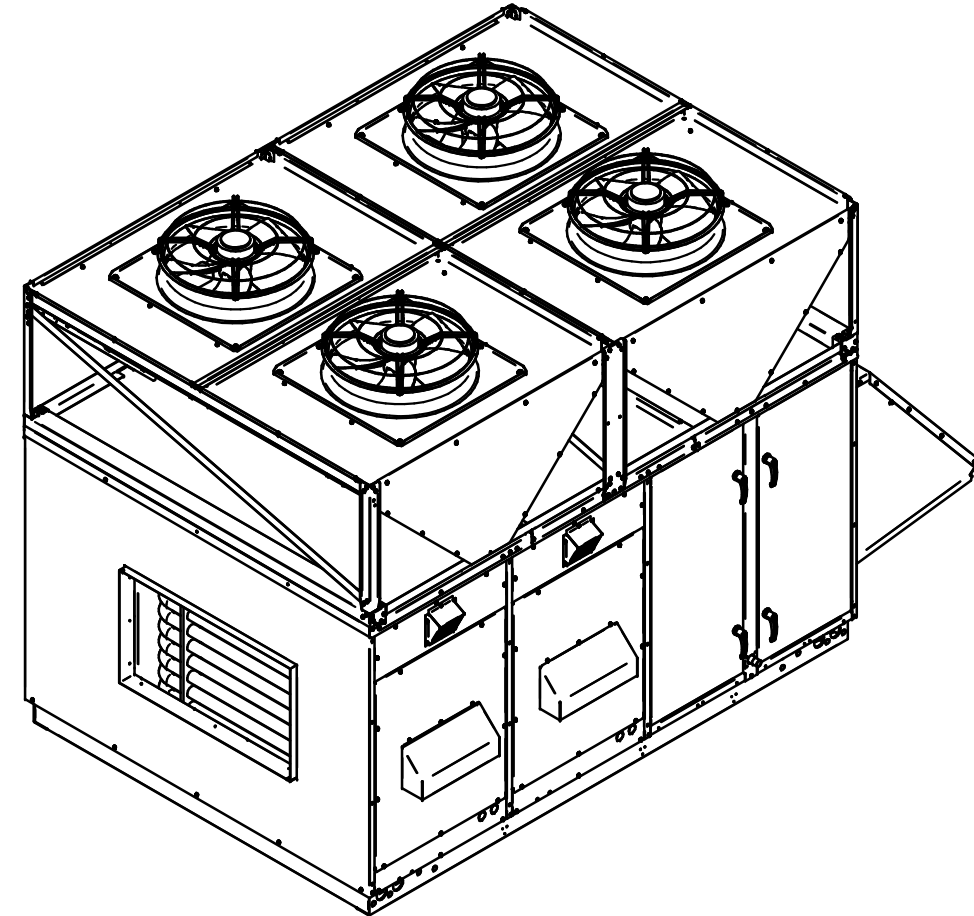
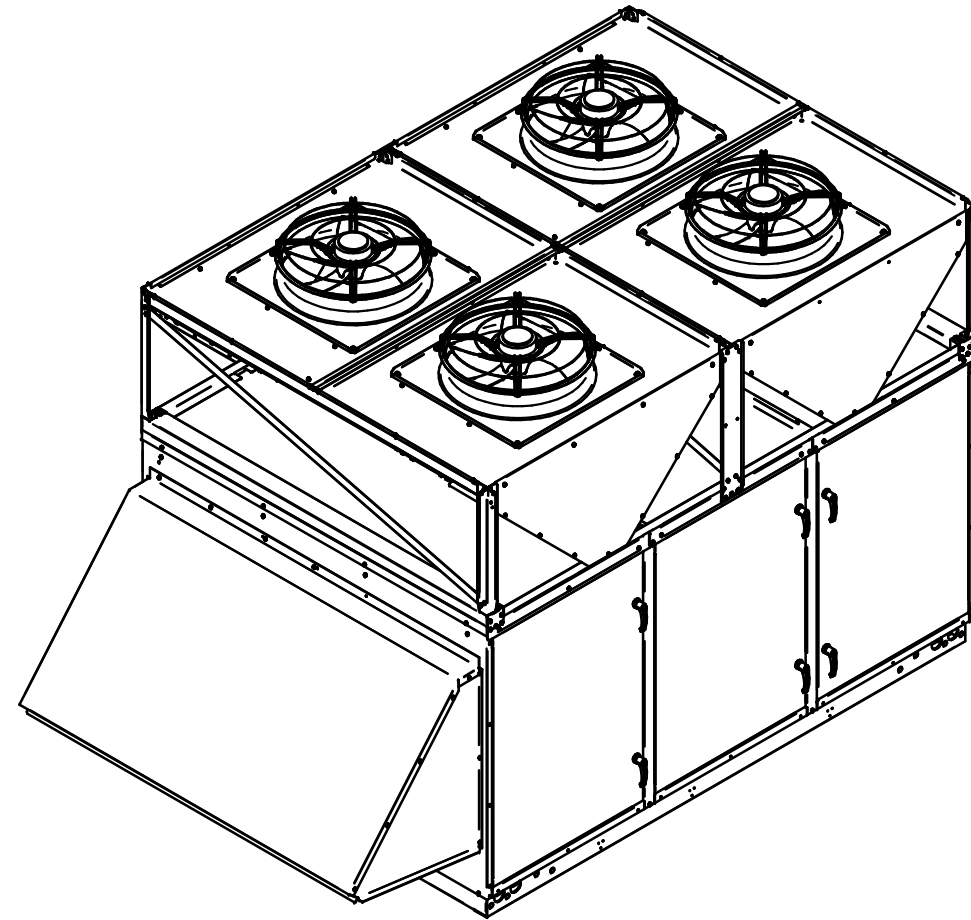


REV	DESCRIPTION	DATE	BY	CKD BY	PCN
-	-	-	-	-	-



LEFT VIEW

TITLE		*RAK NO RETURN HORIZ SPLY (20T-45T) S5			
DATE	CKD	APPD	PART #	SHEET #	REV
4/21/2021	DW	GO		1 OF 2	A
EPR:	DRWN				
253	Josh.Ramsey	0795I-5017			



TITLE		*RAK NO RETURN HORIZ SPLY (20T-45T) S5			
DATE	CKD	APPD	PART #	SHEET #	REV
4/21/2021	DW	GO		2 OF 2	A
EPR:	DRWN				
253	Josh.Ramsey	0795I-5017			