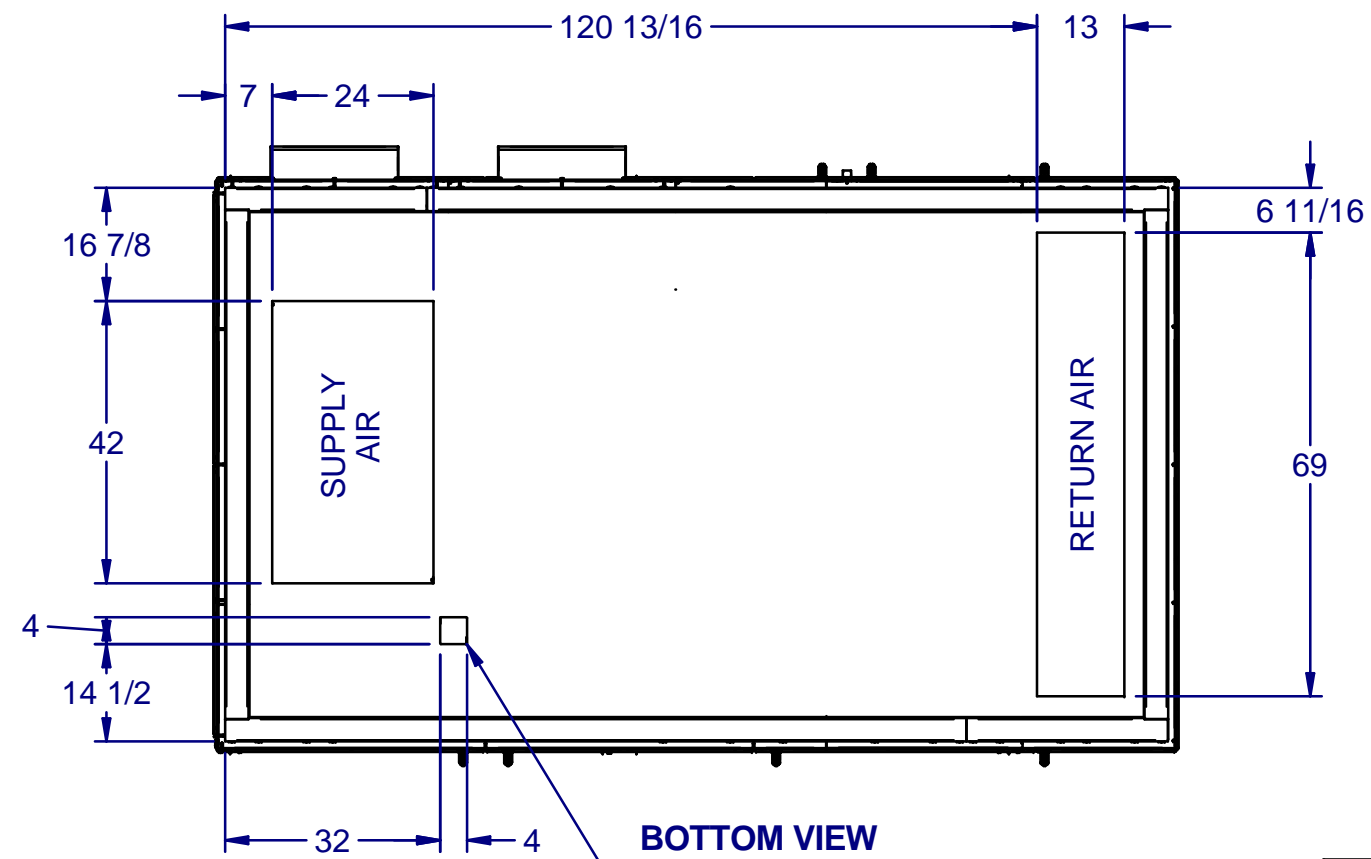
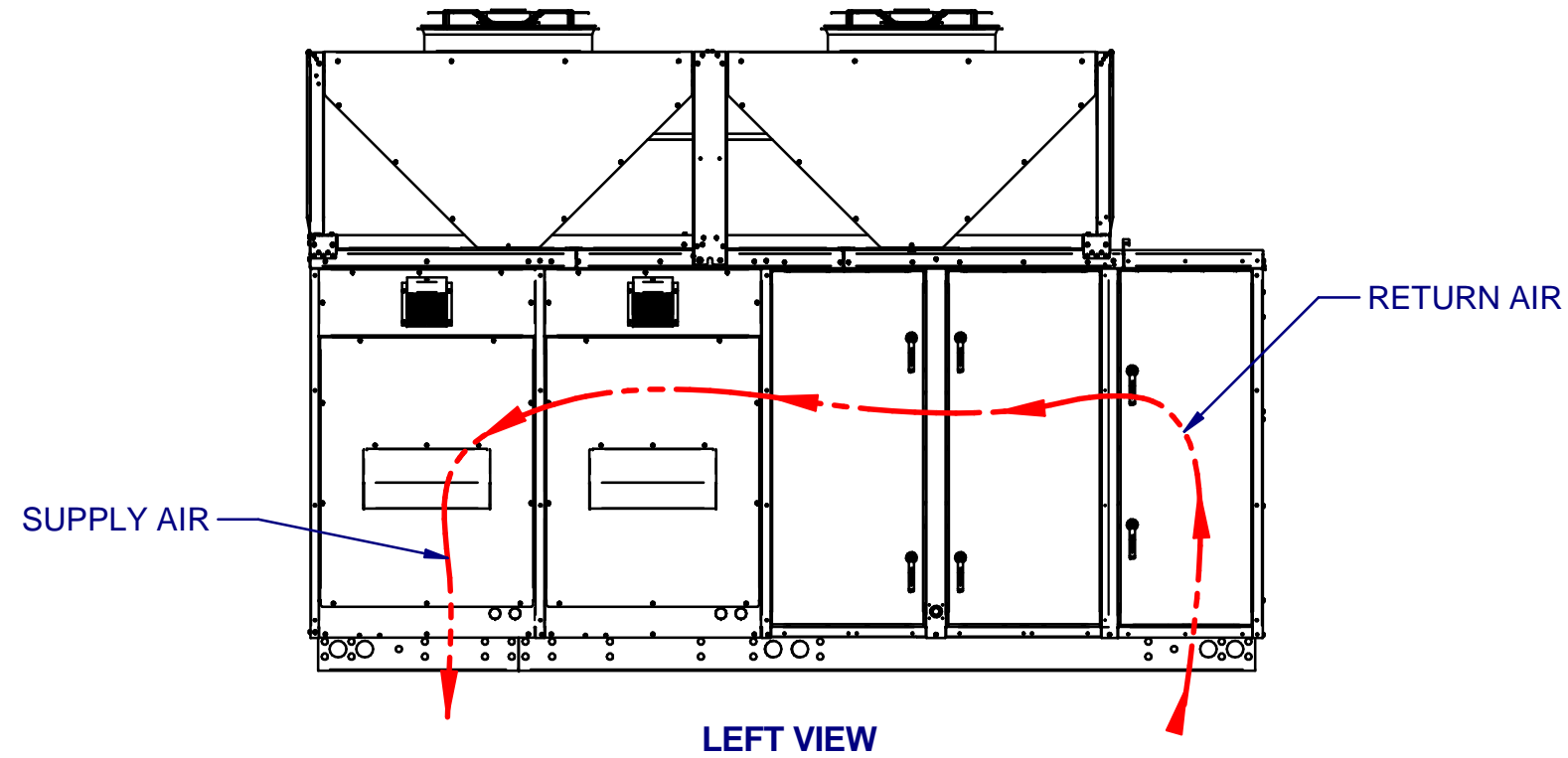
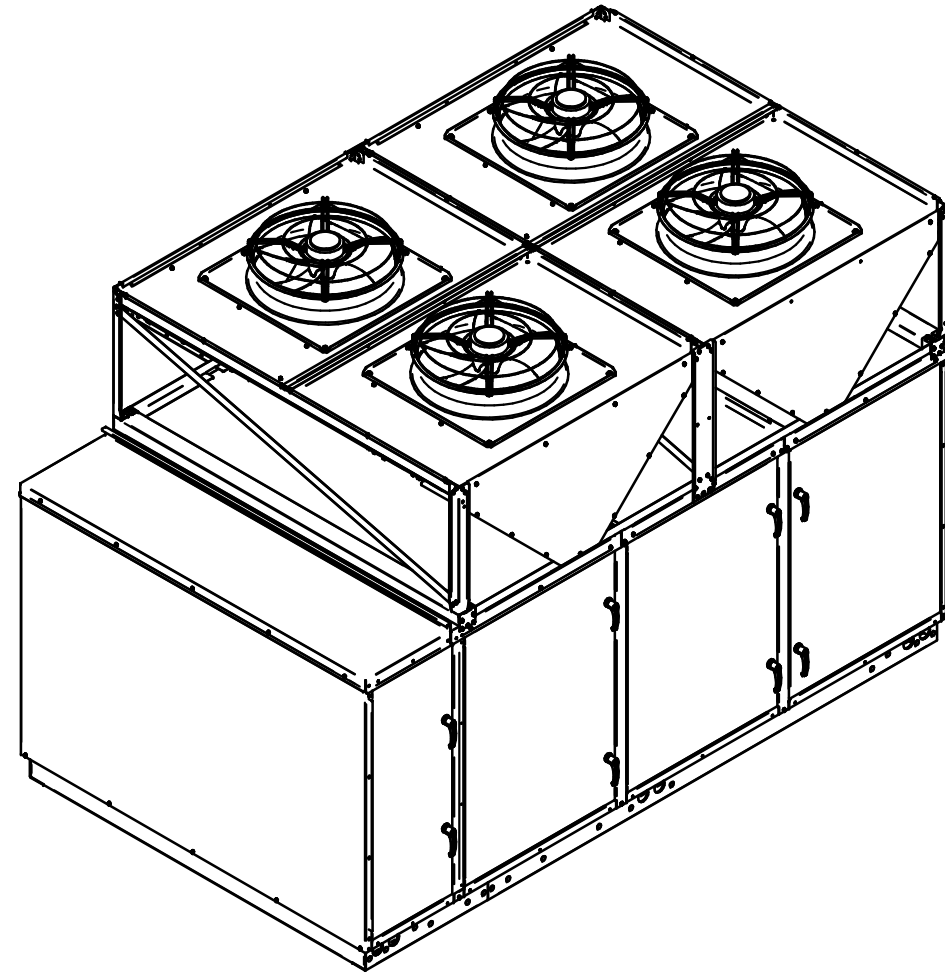
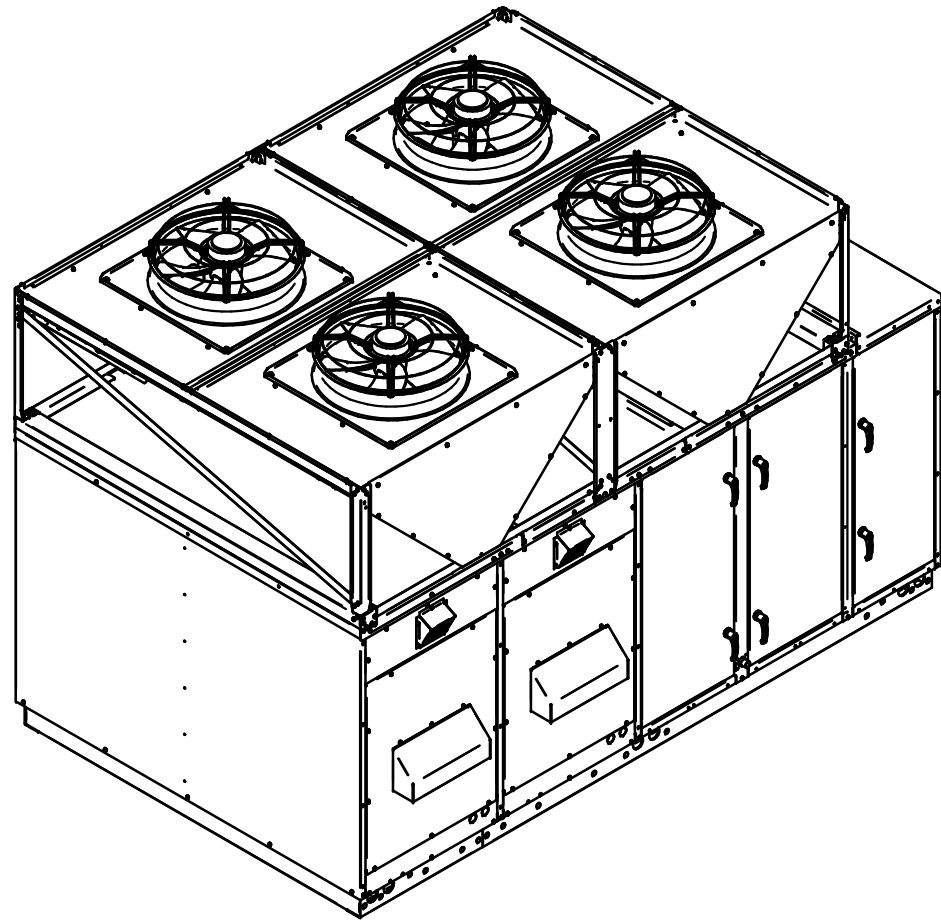


REV	DESCRIPTION	DATE	BY	CKD BY	PCN
-	-	-	-	-	-



TITLE						*RRK RECICULATING ONLY VERT SPLY (20t-45t) S5		
DATE	CKD	APPD	PART #	SHEET #	REV			
4/20/2021	DW	GO		1 OF 2	A			
EPR:	253	DRWN	Josh.Ramsey	0795I-5018				



EPR:		253		DRWN		Josh.Ramsey		TITLE		*RRK RECICULATING ONLY VERT SPLY (20t-45t) S5	
DATE	4/20/2021	CKD	DW	APPD	GO	PART #	0795I-5018	SHEET #	2 OF 2	REV	A