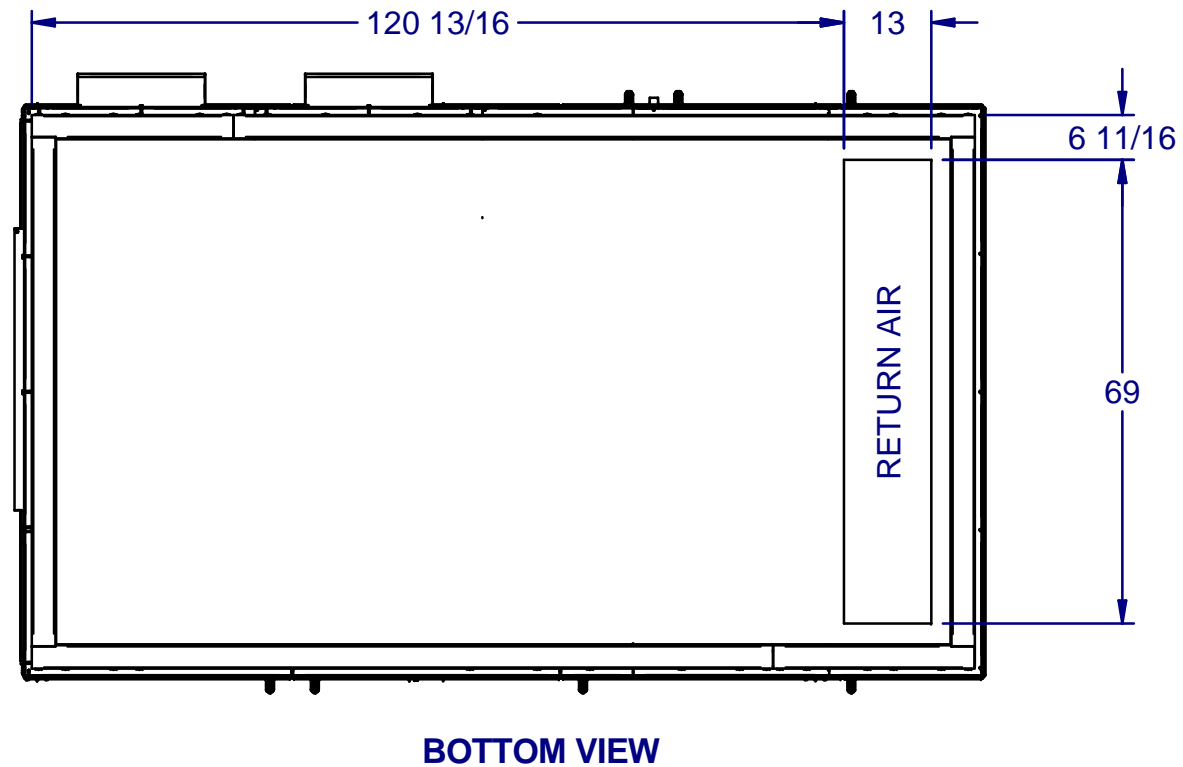
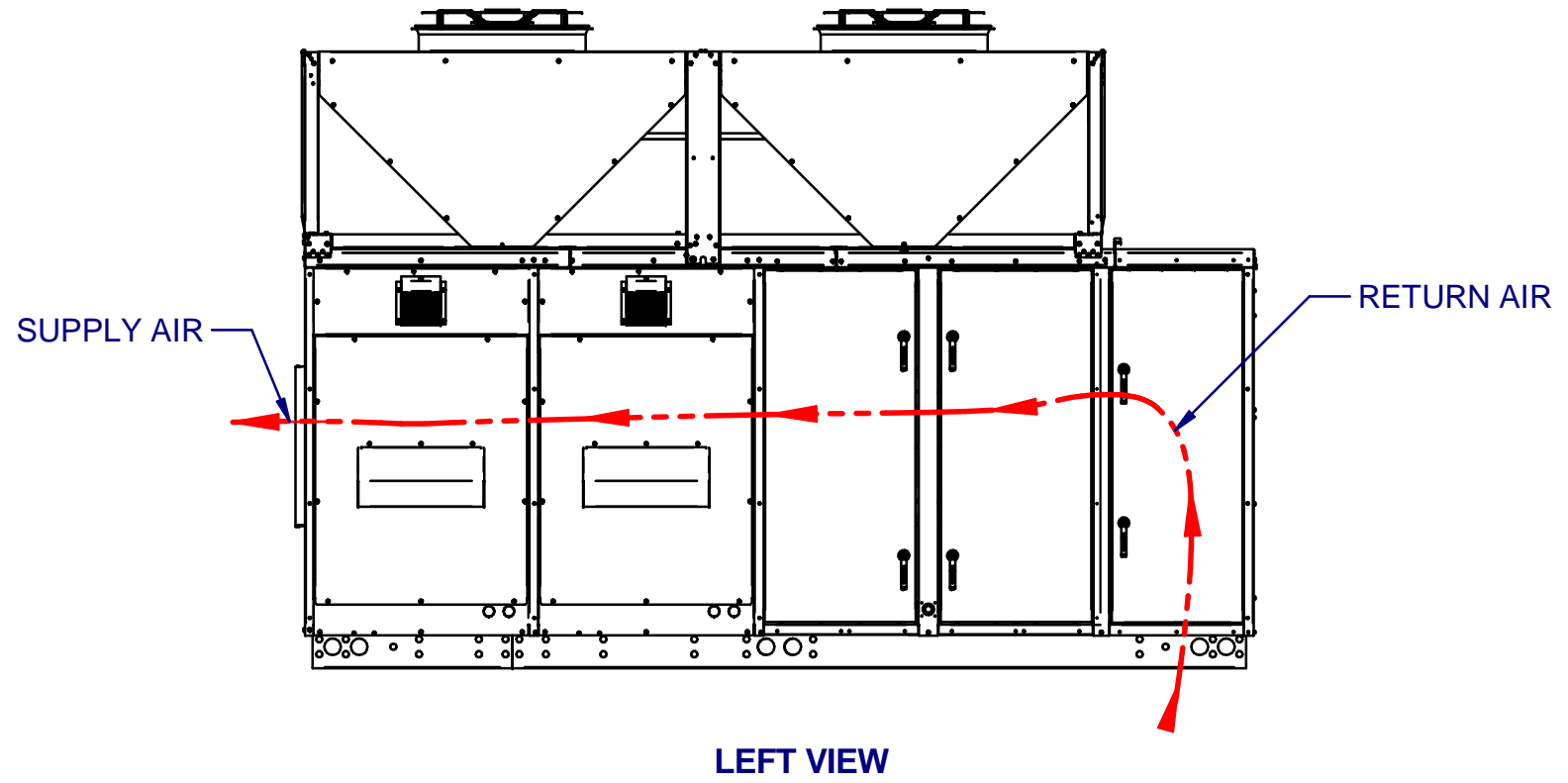
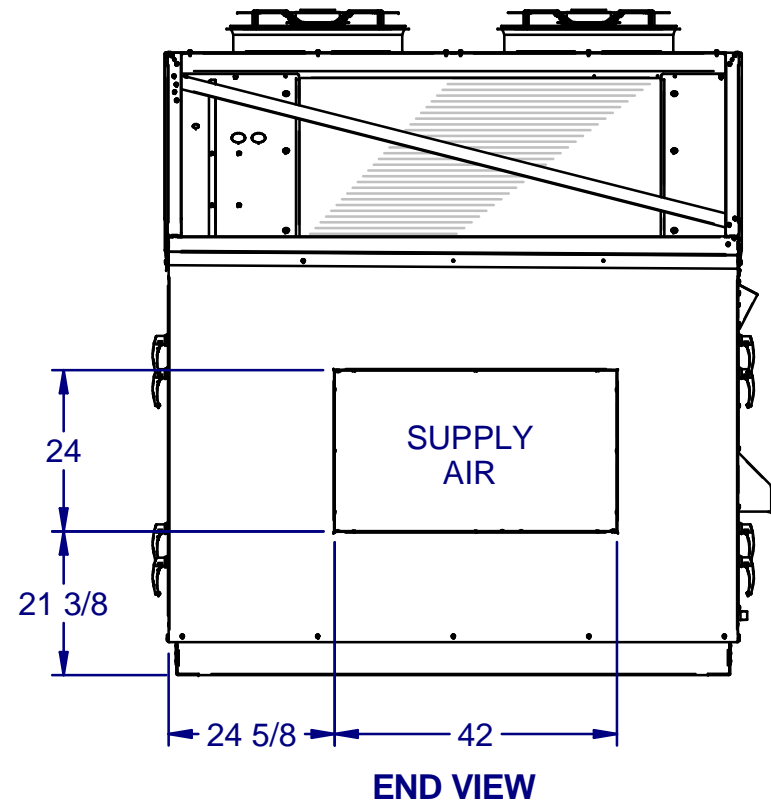
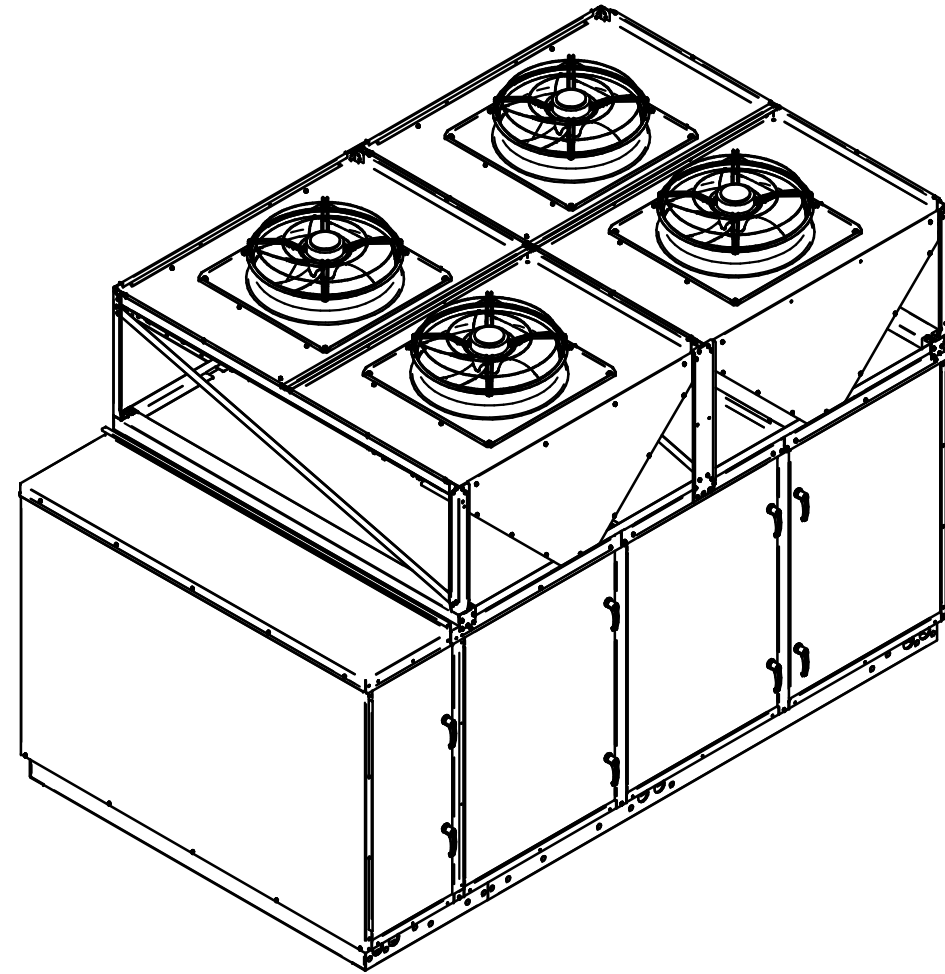
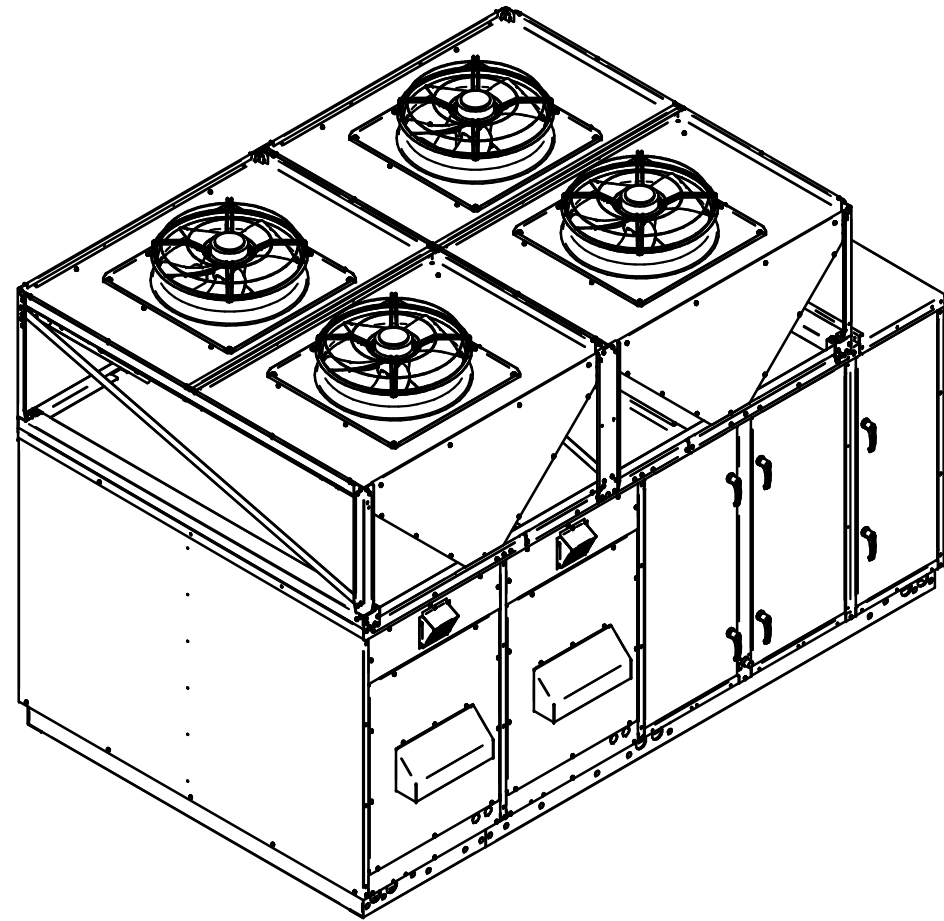


REV	DESCRIPTION	DATE	BY	CKD BY	PCN
-	-	-	-	-	-



TITLE		*RRK RECICULATING ONLY HORIZ SPLY (20t-45t) S5			
DATE	CKD	APPD	PART #	SHEET #	REV
4/20/2021	DW	GO		1 OF 2	A
EPR:	DRWN				
253	Josh.Ramsey	0795I-5019			



TITLE		*RRK RECICULATING ONLY HORIZ SPLY (20t-45t) S5			
DATE	CKD	APPD	PART #	SHEET #	REV
4/20/2021	DW	GO		2 OF 2	A
EPR:	DRWN				
253	Josh.Ramsey	0795I-5019			