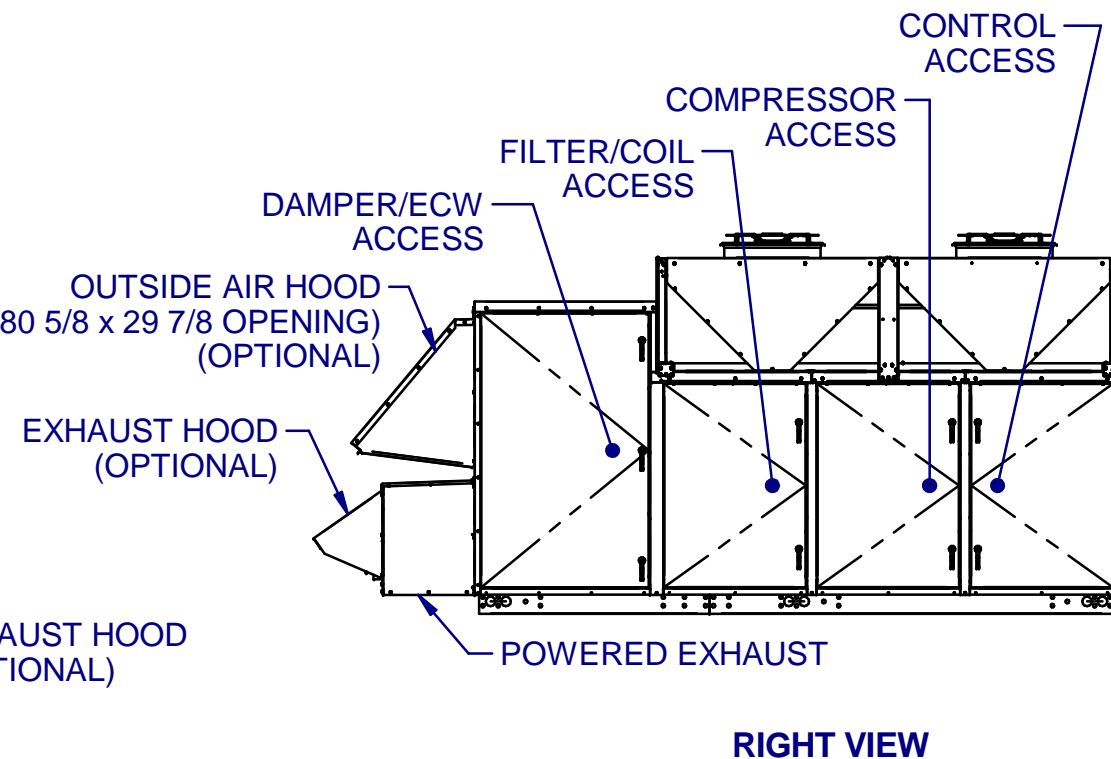
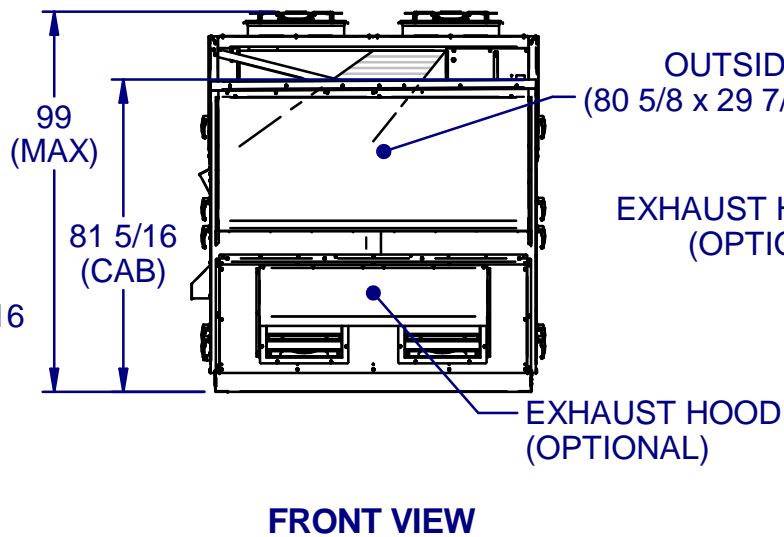
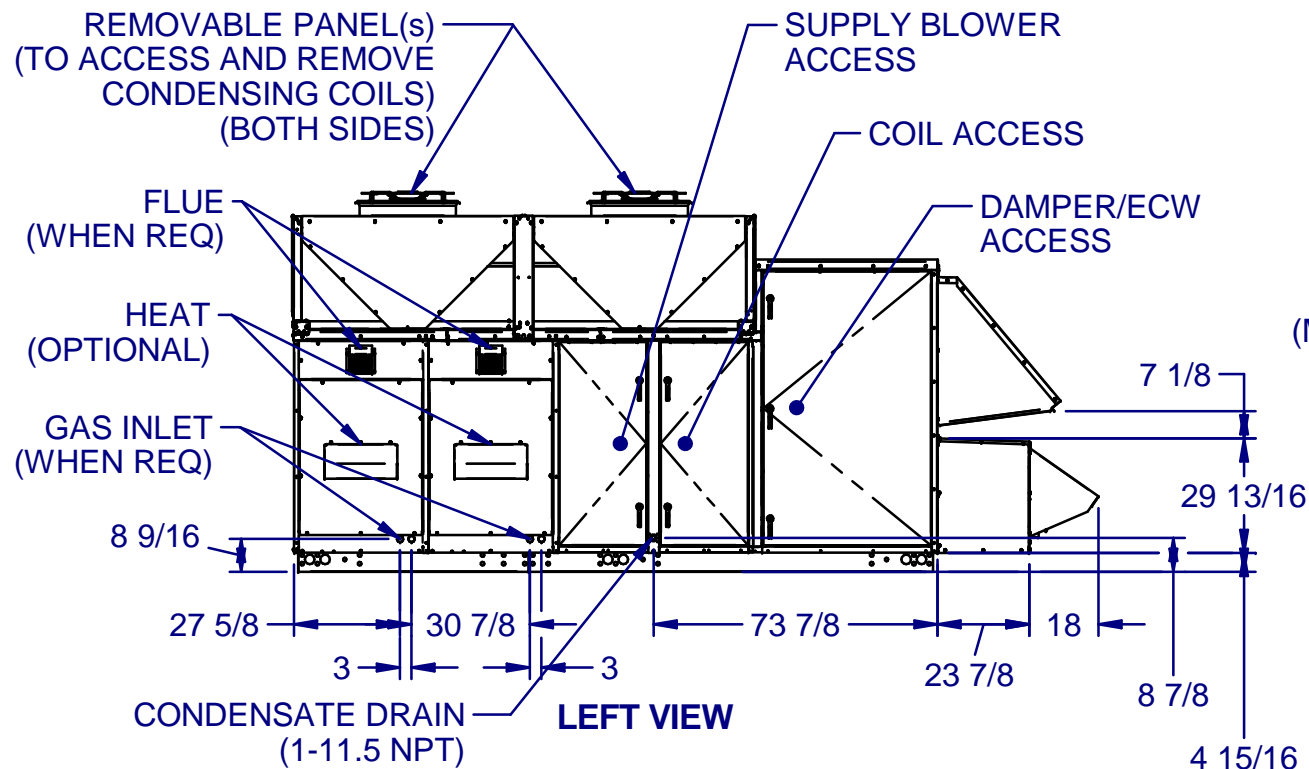
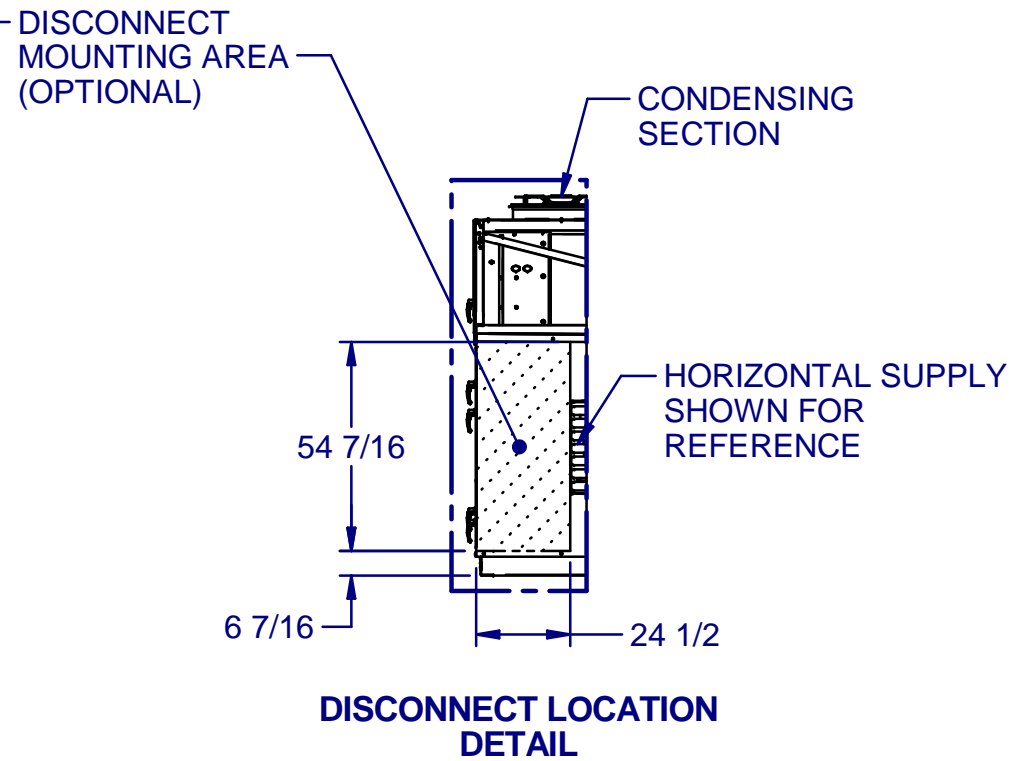
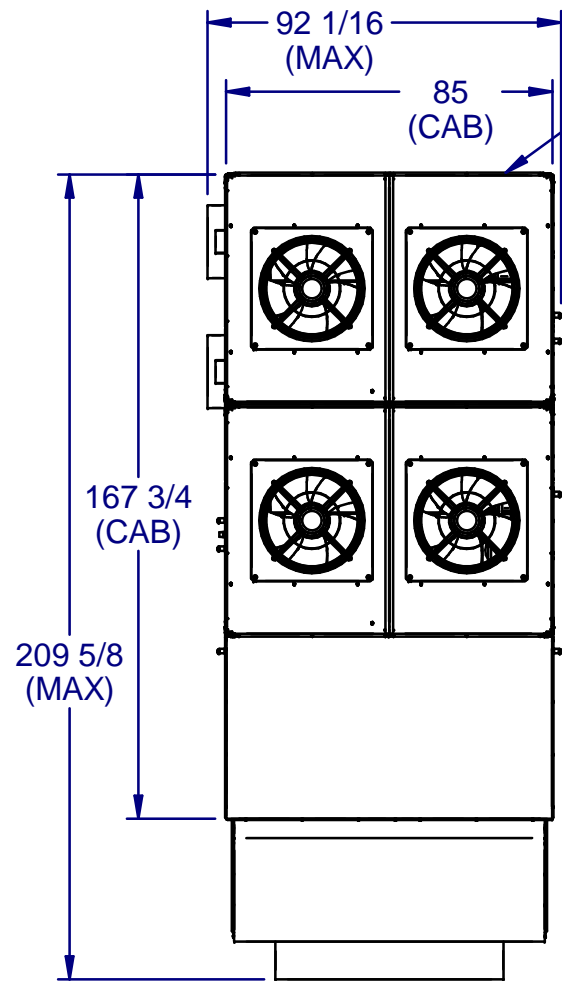
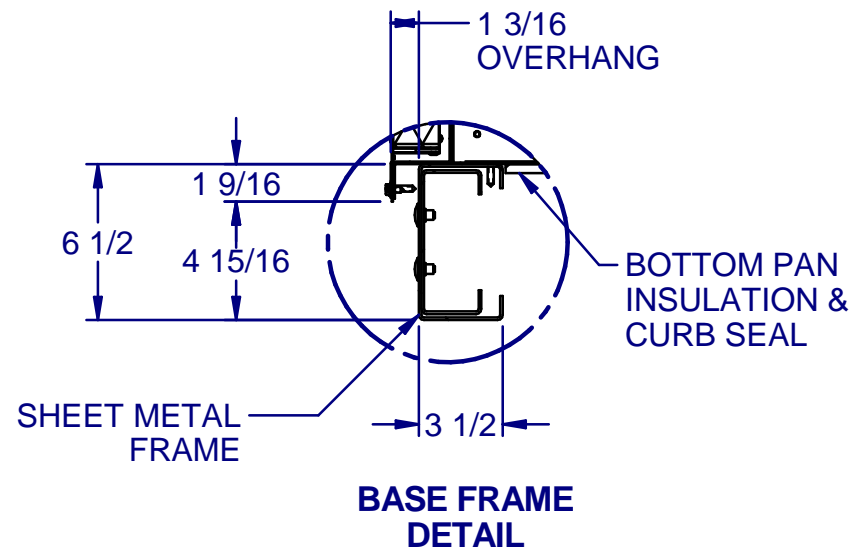
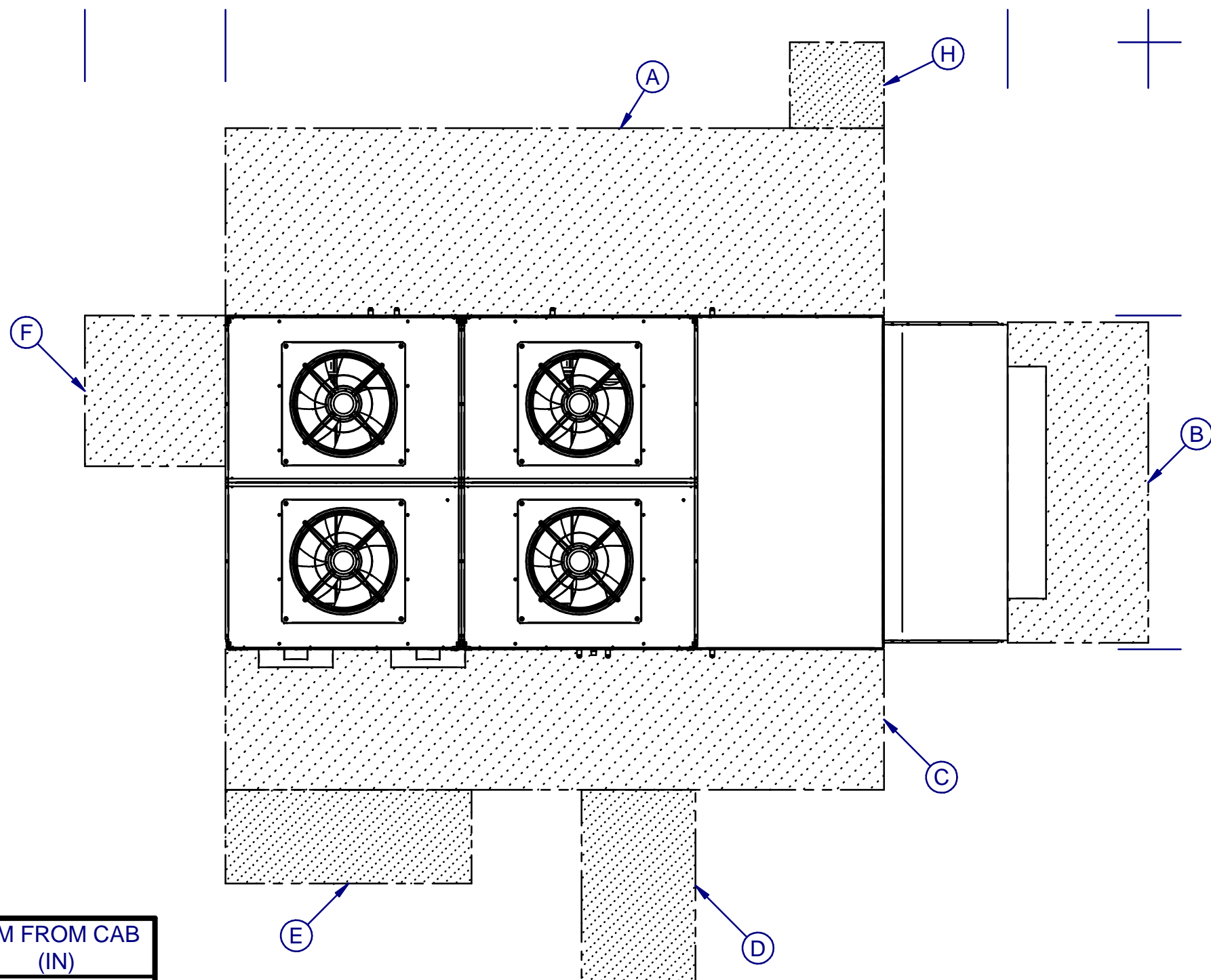


REV	DESCRIPTION	DATE	BY	CKD BY	PCN
-	-	-	-	-	-

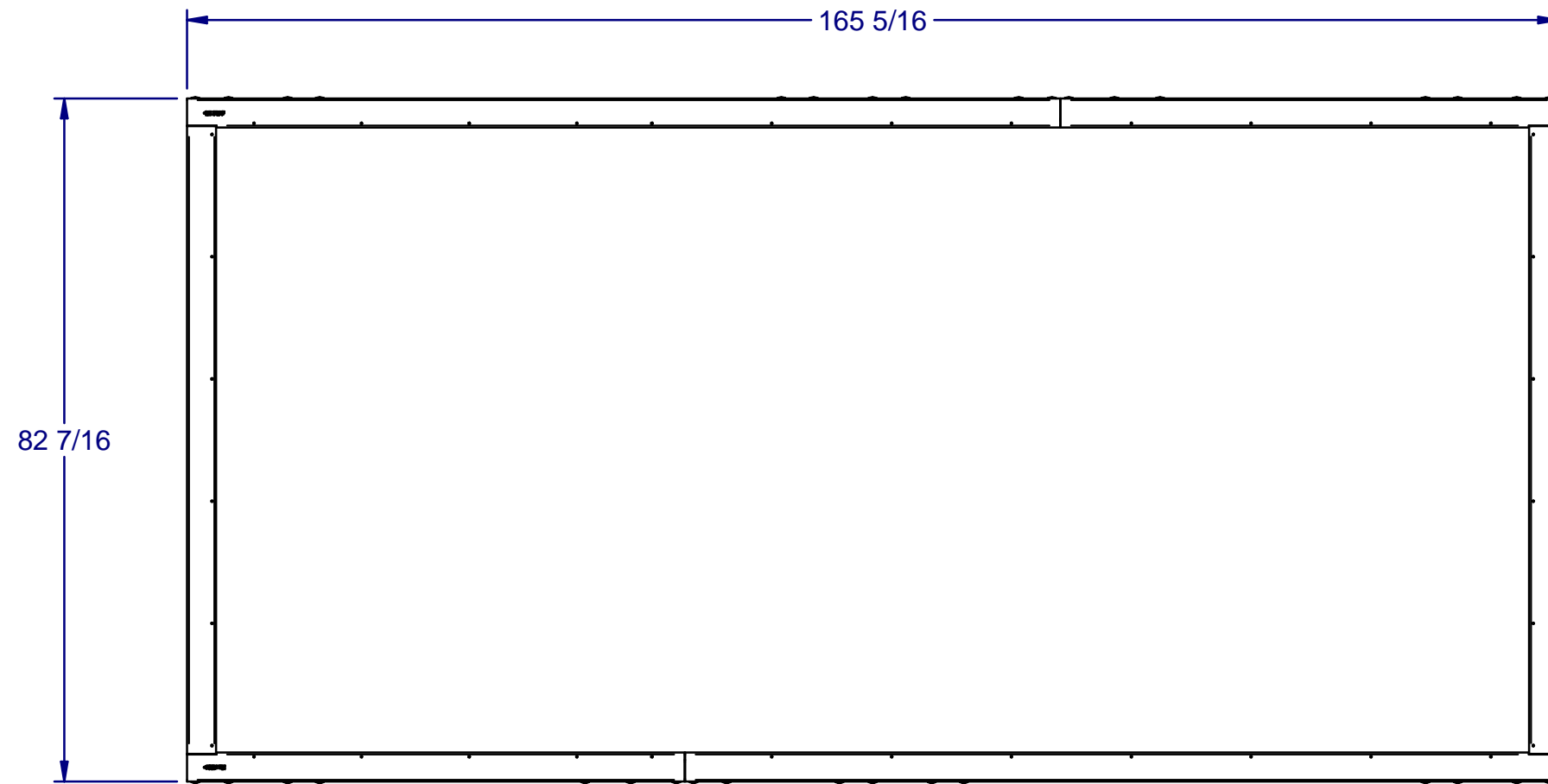


TITLE		*REK*/RMK*/RRK WITH ECW (20t-45t) S5			
DATE	CKD	APPD	PART #	SHEET #	REV
4/18/2021	DW	GO		1 OF 3	A
EPR:	DRWN	07951-5020			
253	Josh.Ramsey				



ITEM	REQ/ SUGGESTED	DESCRIPTION	DIM FROM CAB (IN)
A	REQUIRED	CONTROLS, COMPRESSOR, SUPPLY BLOWER, AND COIL ACCESS	40
B	SUGGESTED	OUTSIDE AIR	36
C	REQUIRED	VFD, HEAT SOURCE(S), SUPPLY BLOWER, AND COIL ACCESS	36
D	SUGGESTED	TO REMOVE COILS	85
E	SUGGESTED	TO REMOVE HEAT SOURCE (WHEN APPLICABLE)	60
F	REQUIRED	DISCONNECT (OPTIONAL)	PER DISC REQUIREMENTS
H	SUGGESTED	TO REMOVE ECW	70

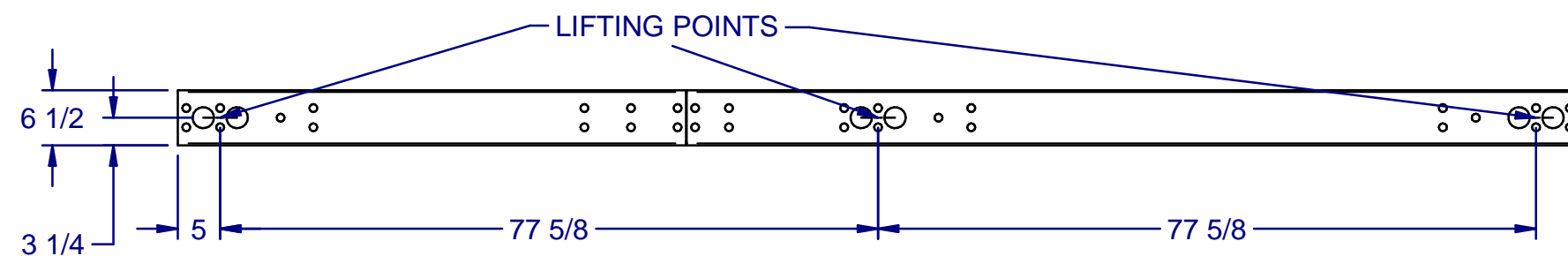
EPR: 253		DATE 4/18/2021		CKD DW	APPD GO	TITLE *REK/*RMK/*RRK WITH ECW (20t-45t) S5		PART #	SHEET #	REV
		DRWN Josh.Ramsey				07951-5020		2 OF 3	A	



**BASE FRAME
TOP VIEW**



**BASE FRAME
END VIEW**



**BASE FRAME
SIDE VIEW**

TITLE		*REK/*RMK/*RRK WITH ECW (20t-45t) S5			
DATE	CKD	APPD	PART #	SHEET #	REV
4/18/2021	DW	GO		3 OF 3	A
EPR:	DRWN				
253	Josh.Ramsey	07951-5020			