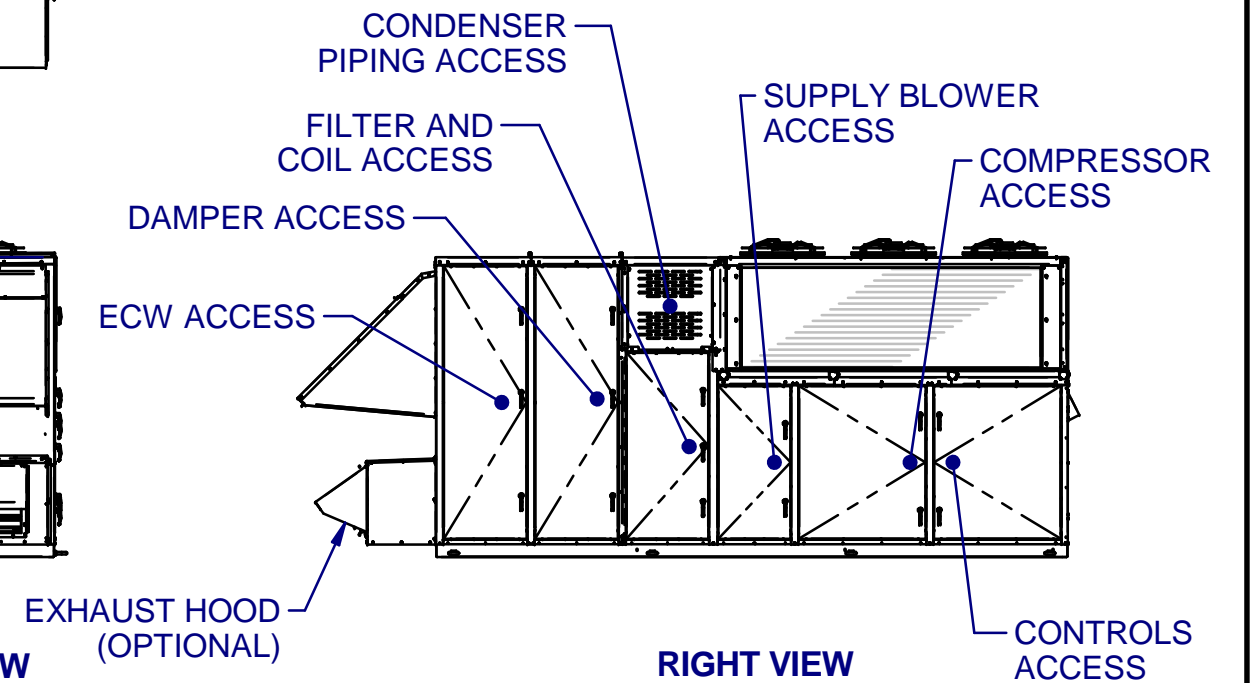
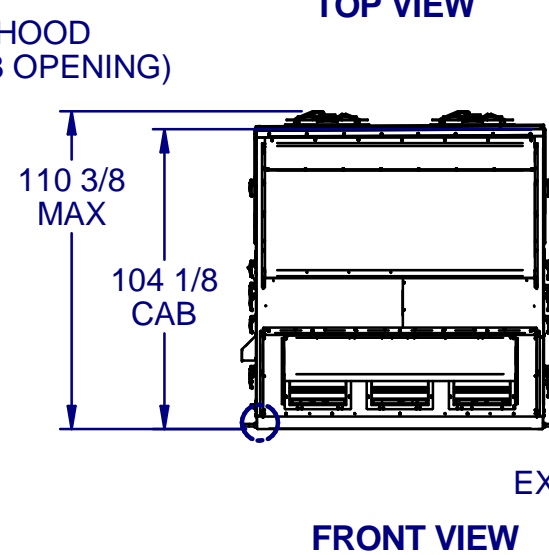
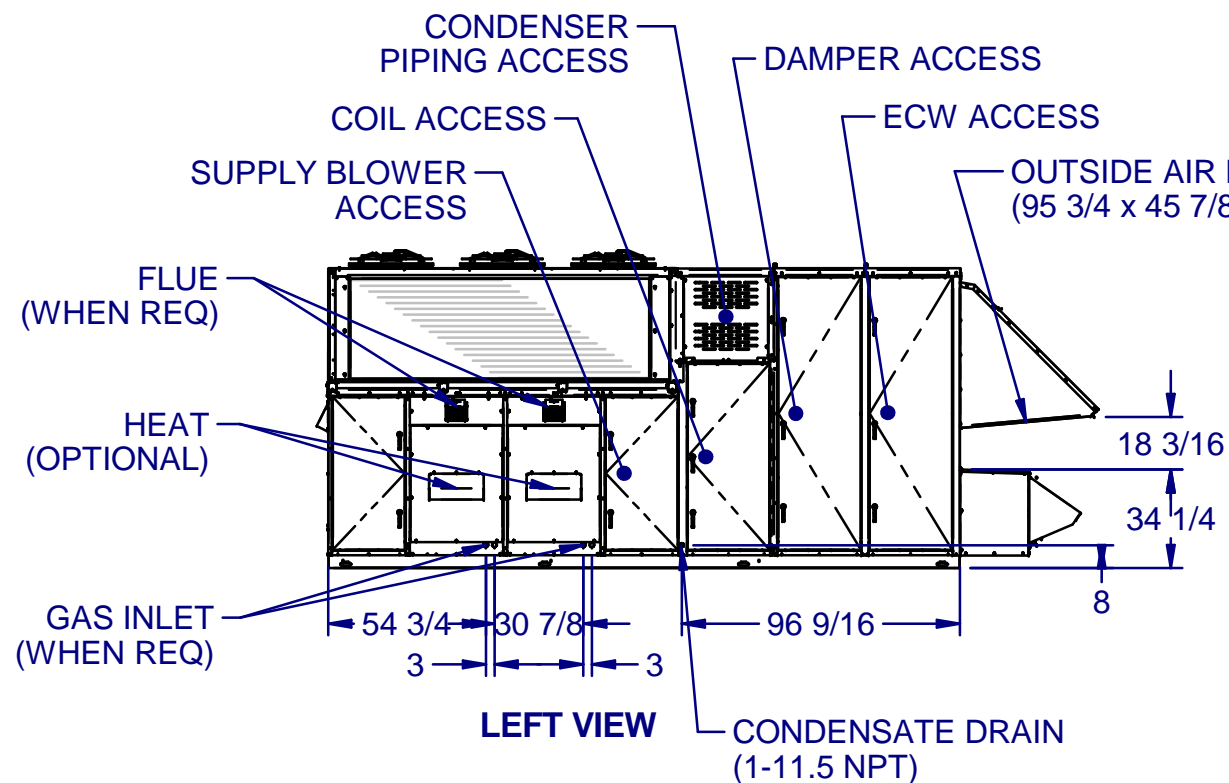
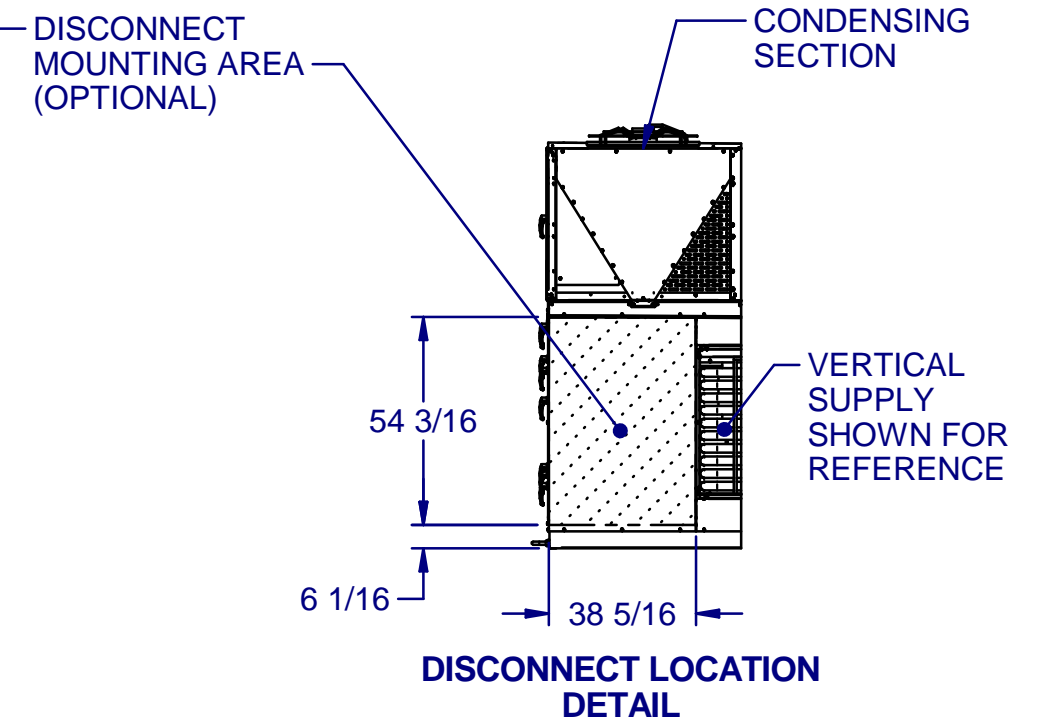
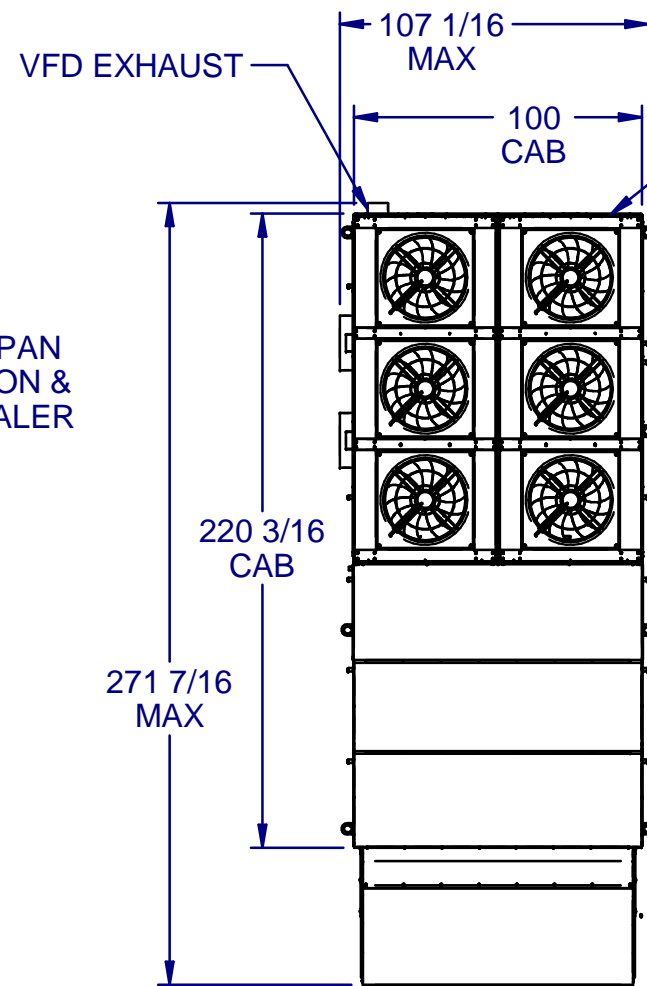
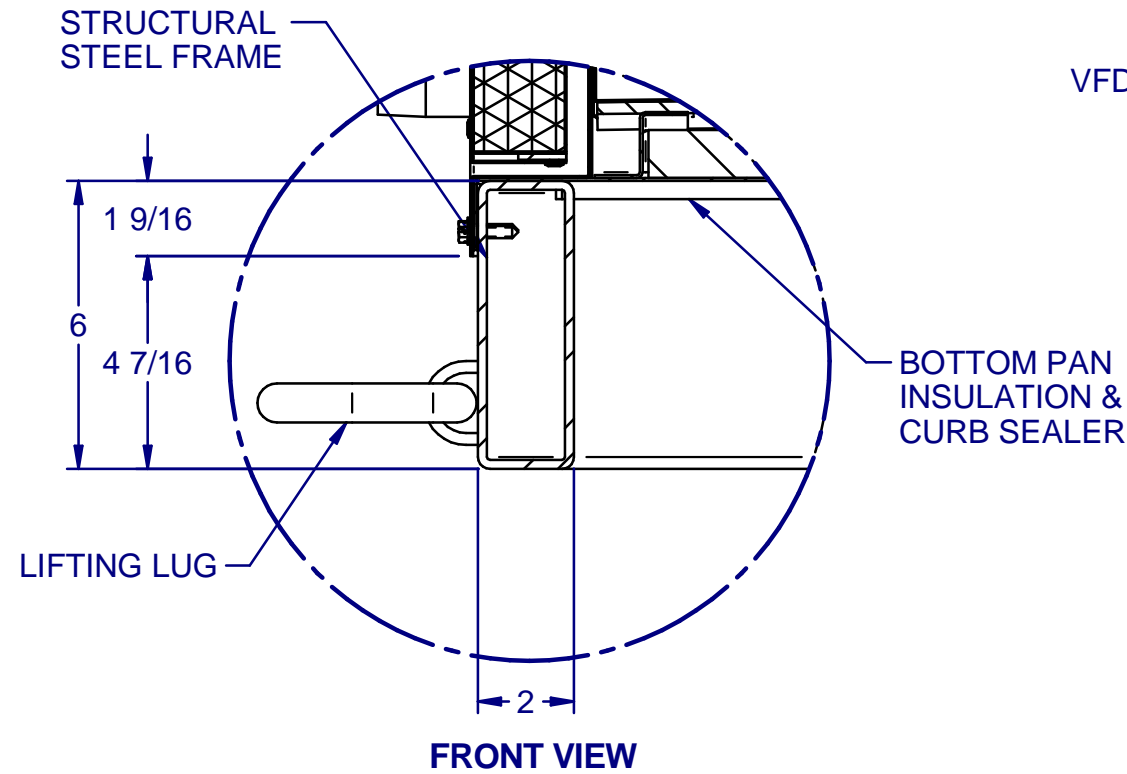
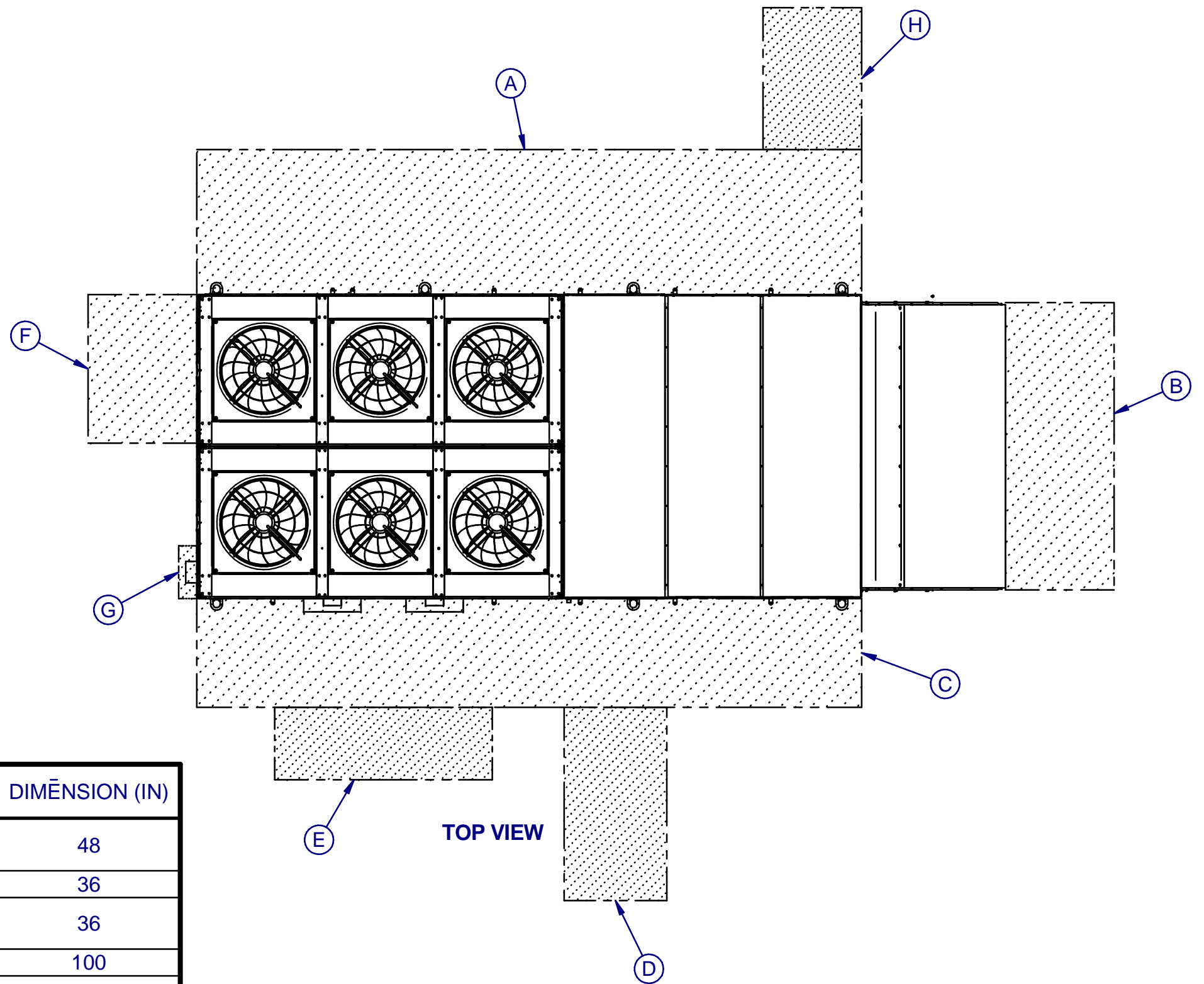


REV	DESCRIPTION	DATE	BY	CKD BY	PCN
-	-	-	-	-	-



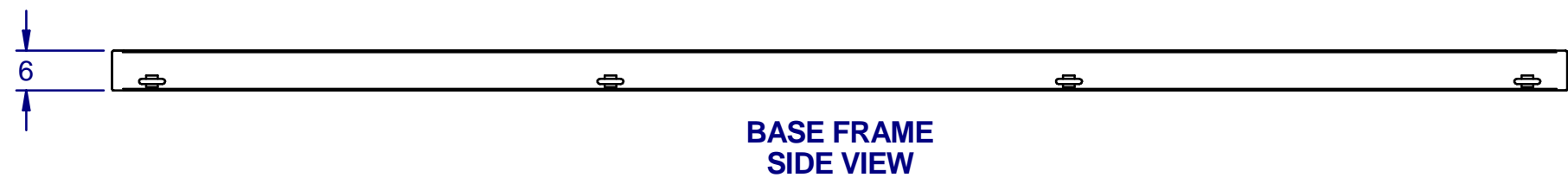
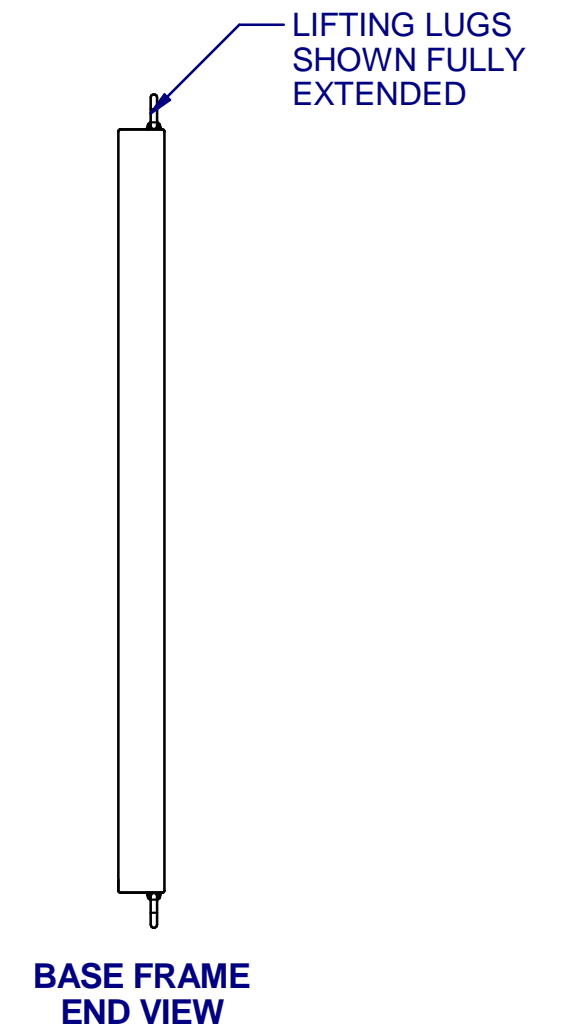
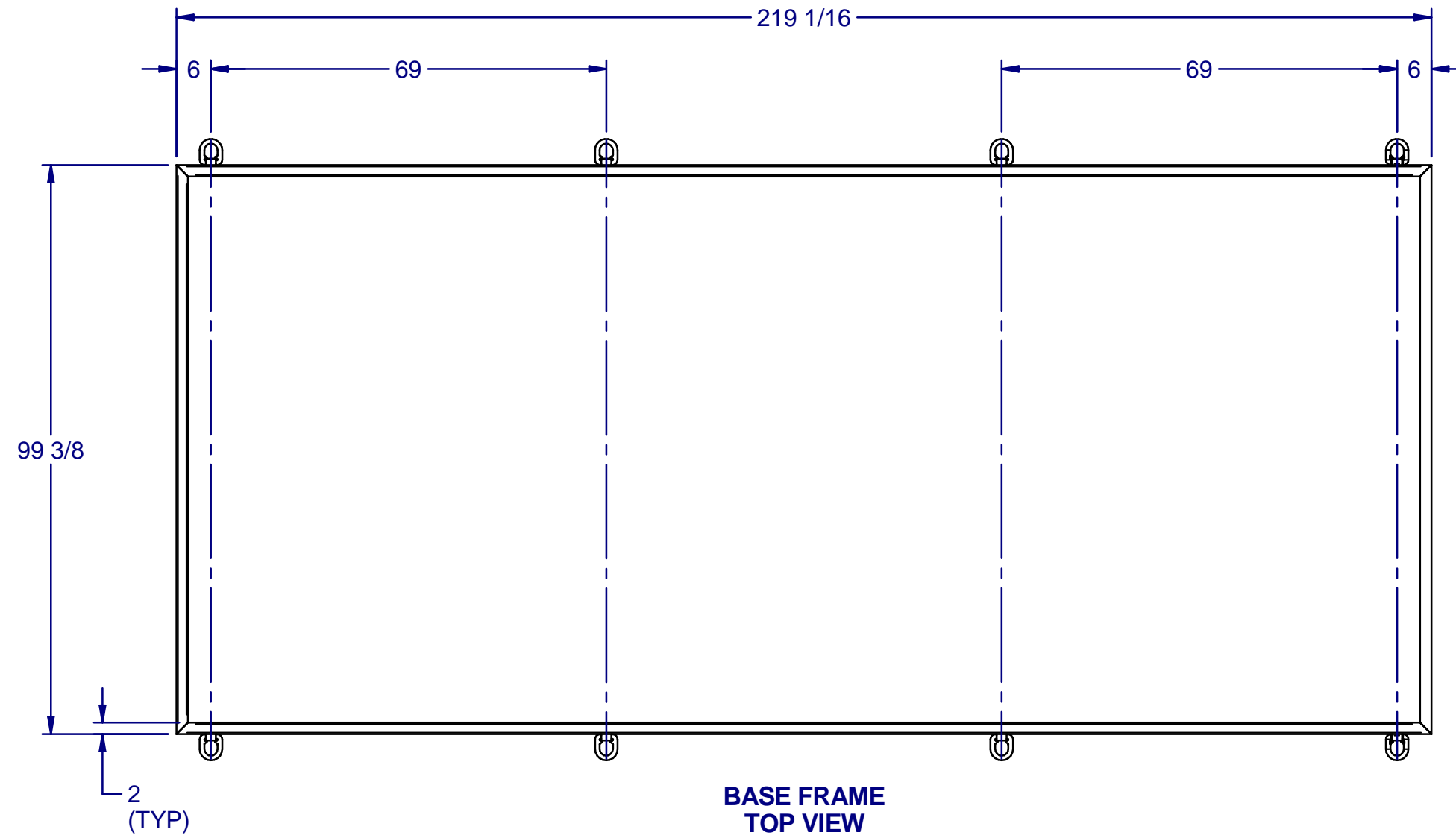
TITLE				*REK*/RMK*/RRK WITH ECW (45t-90t) S7	
DATE	CKD	APPD	PART #	SHEET #	REV
4/20/2021	DW	GO		1 OF 3	A
ECN:	DRWN				
253	Josh.Ramsey	0795I-5021			



ITEM	REQ/ SUGGESTED	DESCRIPTION	DIMENSION (IN)
A	REQUIRED	CONTROLS, COMPRESSOR, SUPPLY BLOWER, AND COIL ACCESS	48
B	SUGGESTED	OUTSIDE AIR	36
C	REQUIRED	VFD, HEAT SOURCE(S), SUPPLY BLOWER, AND COIL ACCESS	36
D	SUGGESTED	TO REMOVE COILS	100
E	SUGGESTED	TO REMOVE HEAT SOURCE (WHEN APPLICABLE)	60
F	REQUIRED	VFD EXHAUST	6
G	REQUIRED	DISCONNECT (OPTIONAL)	PER DISC REQUIREMENT
H	SUGGESTED	TO REMOVE ECW	95

TOP VIEW

TITLE		*REK*/RMK*/RRK WITH ECW (45t-90t) S7		
DATE	CKD	APPD	PART #	SHEET #
4/20/2021	DW	GO		
ECN:	DRWN	0795I-5021		2 OF 3
253	Josh.Ramsey			A



TITLE		*REK*/RMK*/RRK WITH ECW (45t-90t) S7			
DATE	CKD	APPD	PART #	SHEET #	REV
4/20/2021	DW	GO	0795I-5021	3 OF 3	A
ECN:	DRWN	Josh.Ramsey			
253					