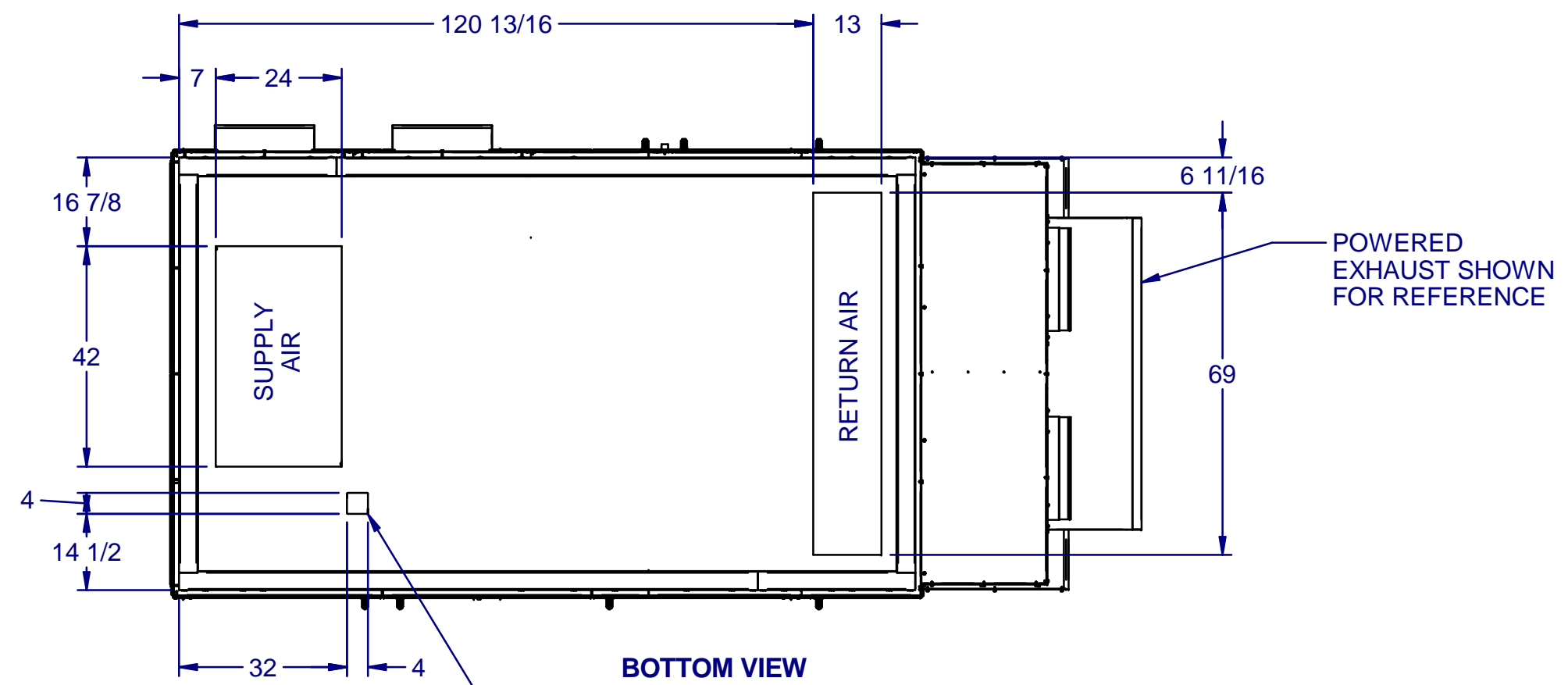
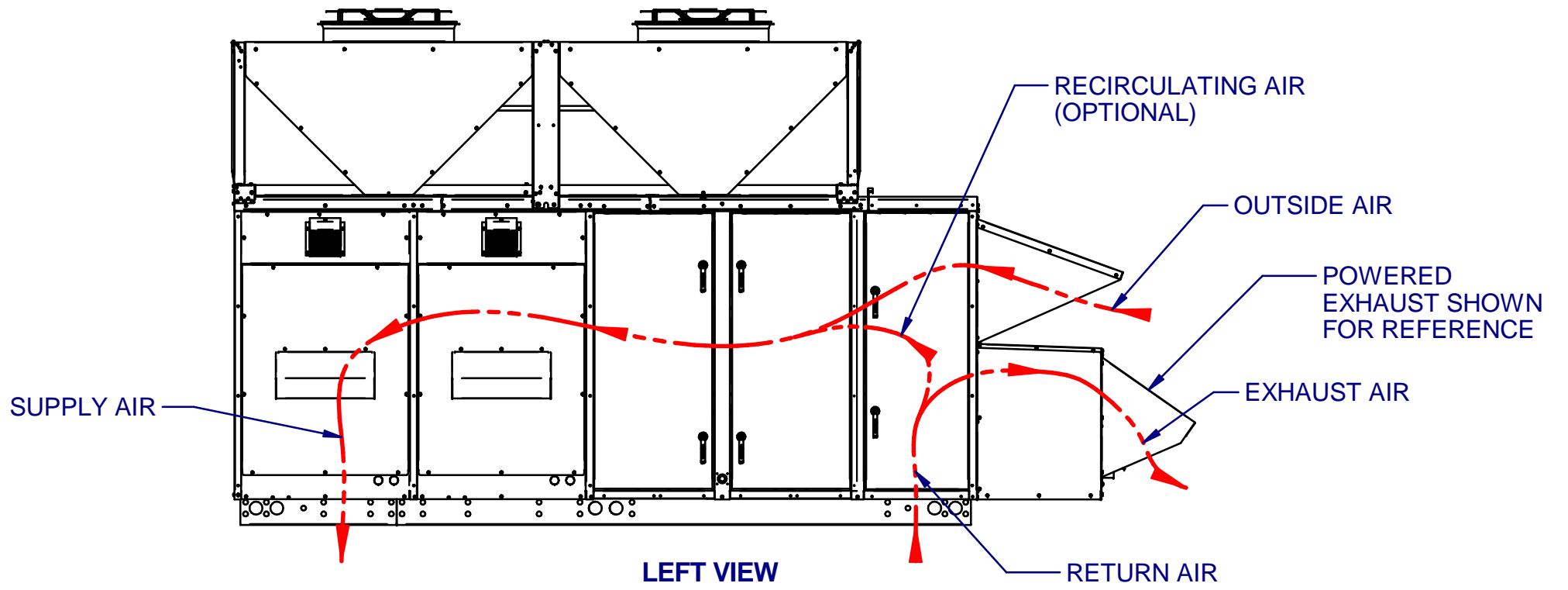


REV	DESCRIPTION	DATE	BY	CKD BY	PCN
-	-	-	-	-	-

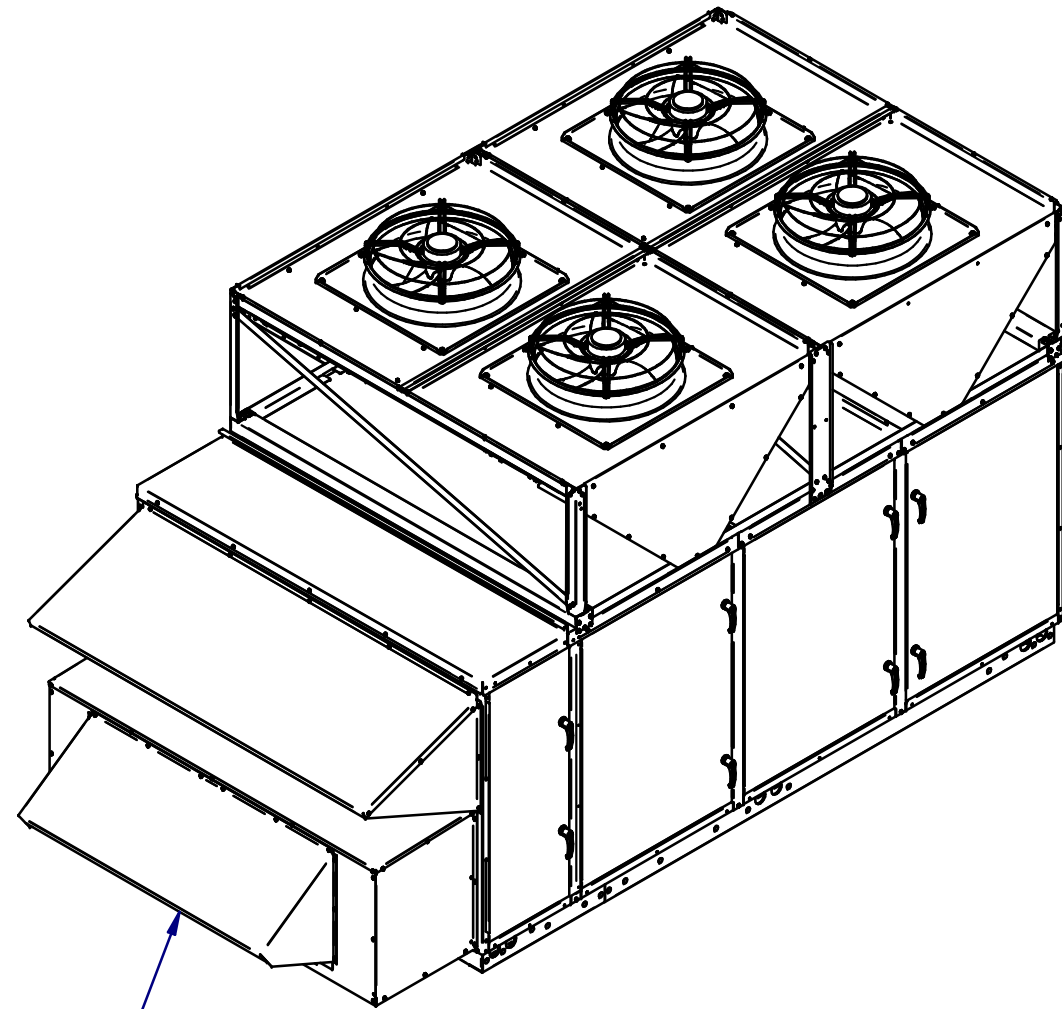
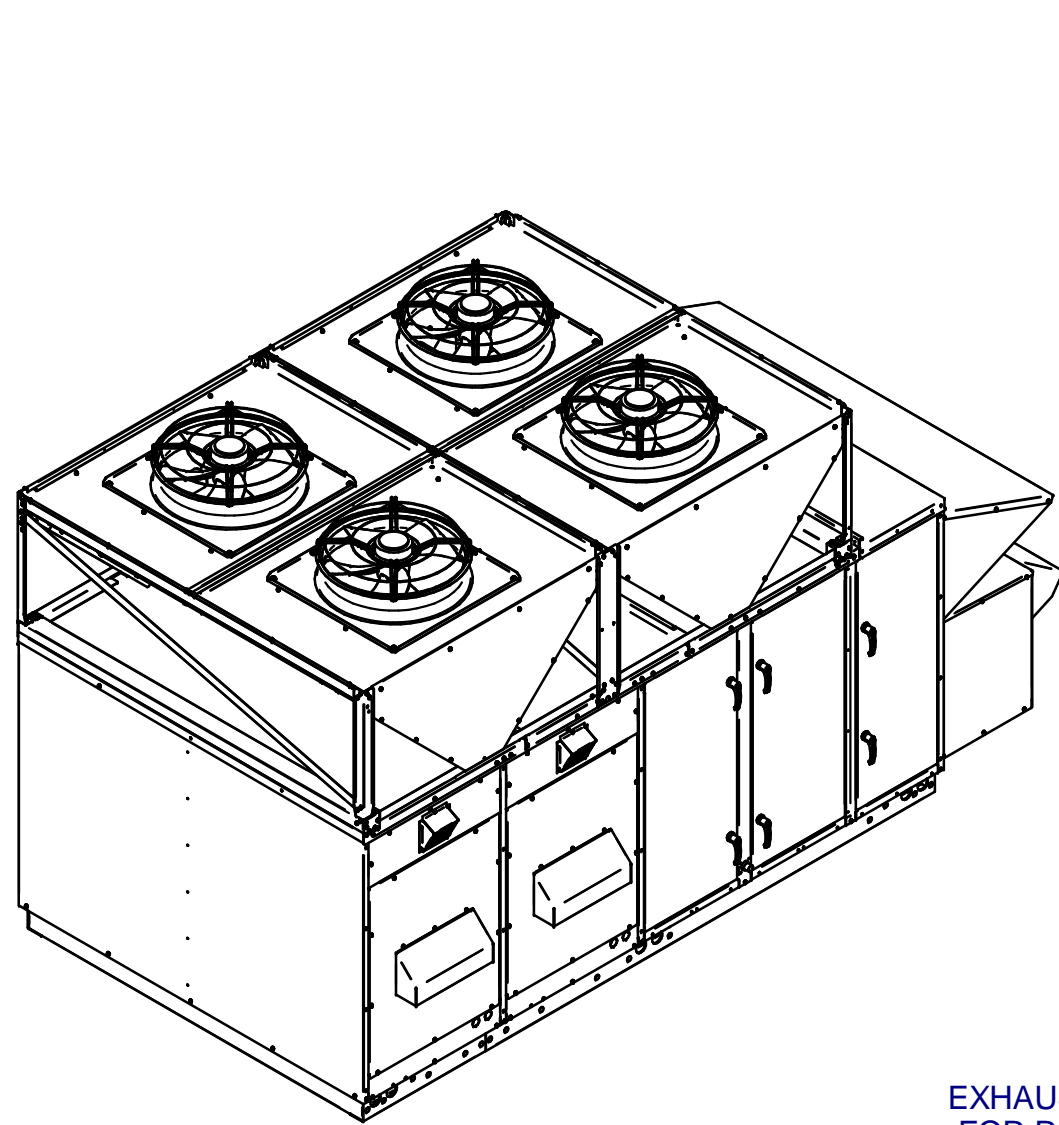


ELECTRICAL ENTRANCE

TITLE ***RAK/*RMK/*RRK WITH RETURN VERT SPLY (20t-45t) S5**

DATE 4/18/2021	CKD DW	APPD GO	PART #	SHEET #	REV
-------------------	-----------	------------	--------	---------	-----

EPR: 253	DRWN Josh.Ramsey	07951-5022	1 OF 2	A
-------------	---------------------	-------------------	--------	---



POWERED
EXHAUST SHOWN
FOR REFERENCE

TITLE		*RAK/*RMK/*RRK WITH RETURN VERT SPLY (20t-45t) S5			
DATE	CKD	APPD	PART #	SHEET #	REV
4/18/2021	DW	GO		2 OF 2	A
EPR:	DRWN				
253	Josh.Ramsey	07951-5022			