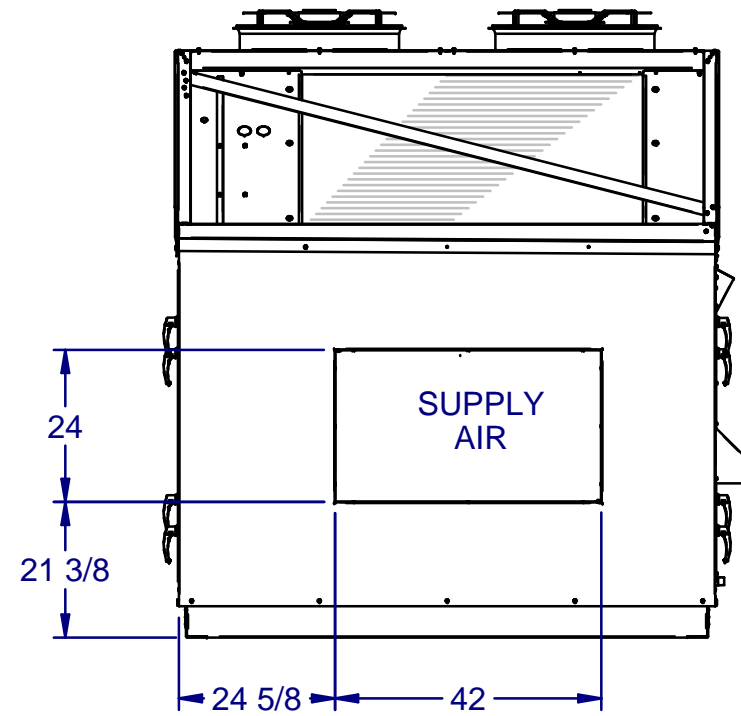
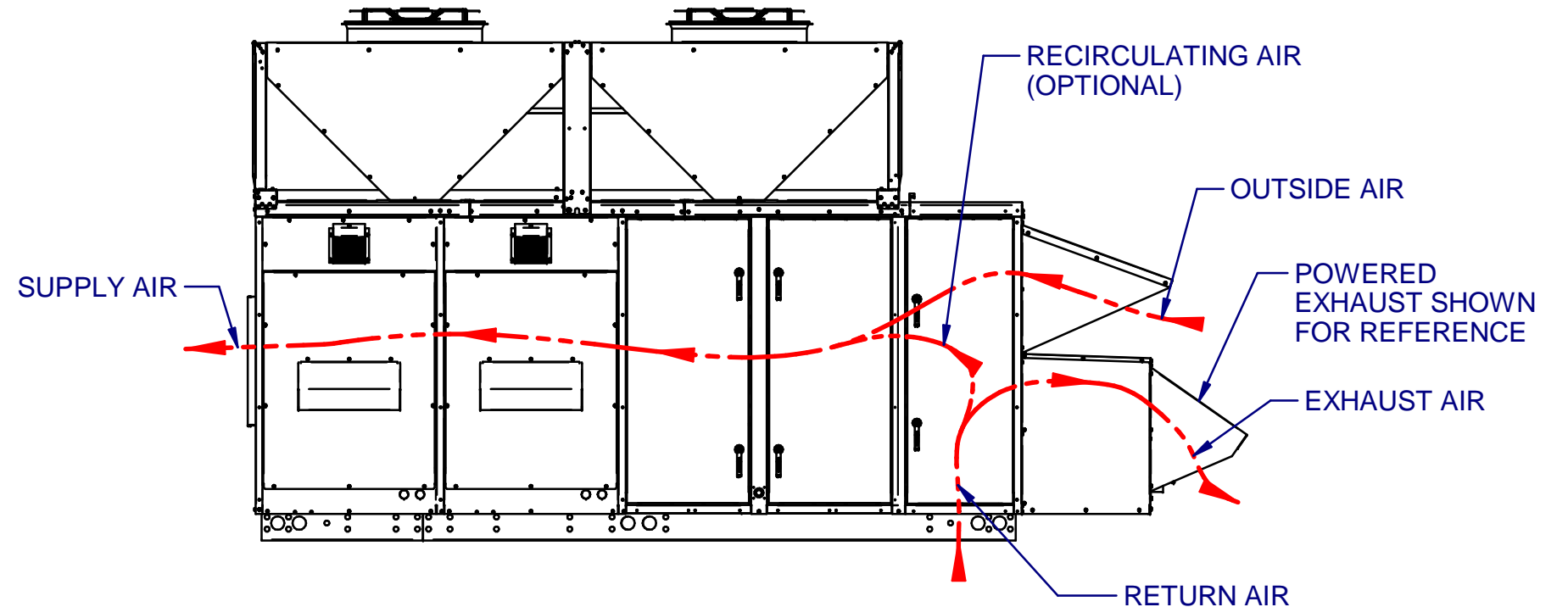


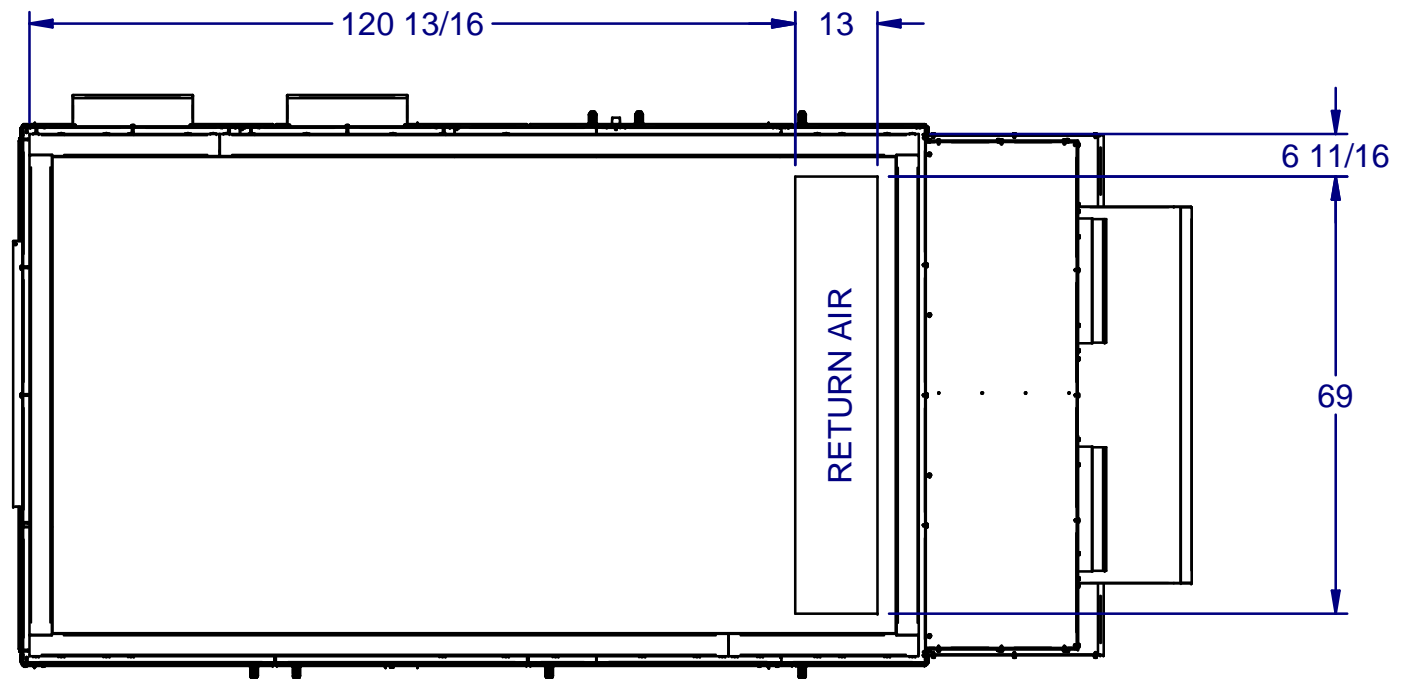
REV	DESCRIPTION	DATE	BY	CKD BY	PCN
-	-	-	-	-	-



REAR VIEW

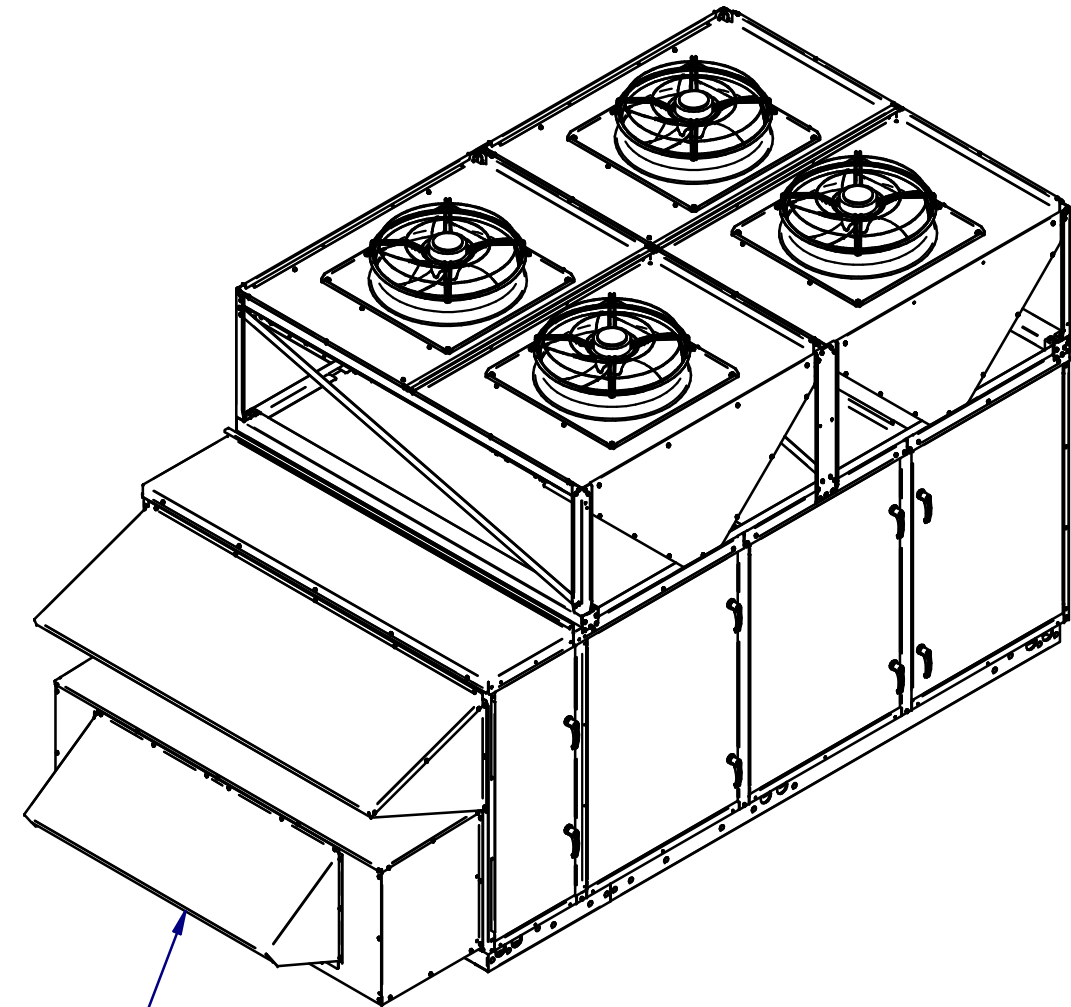
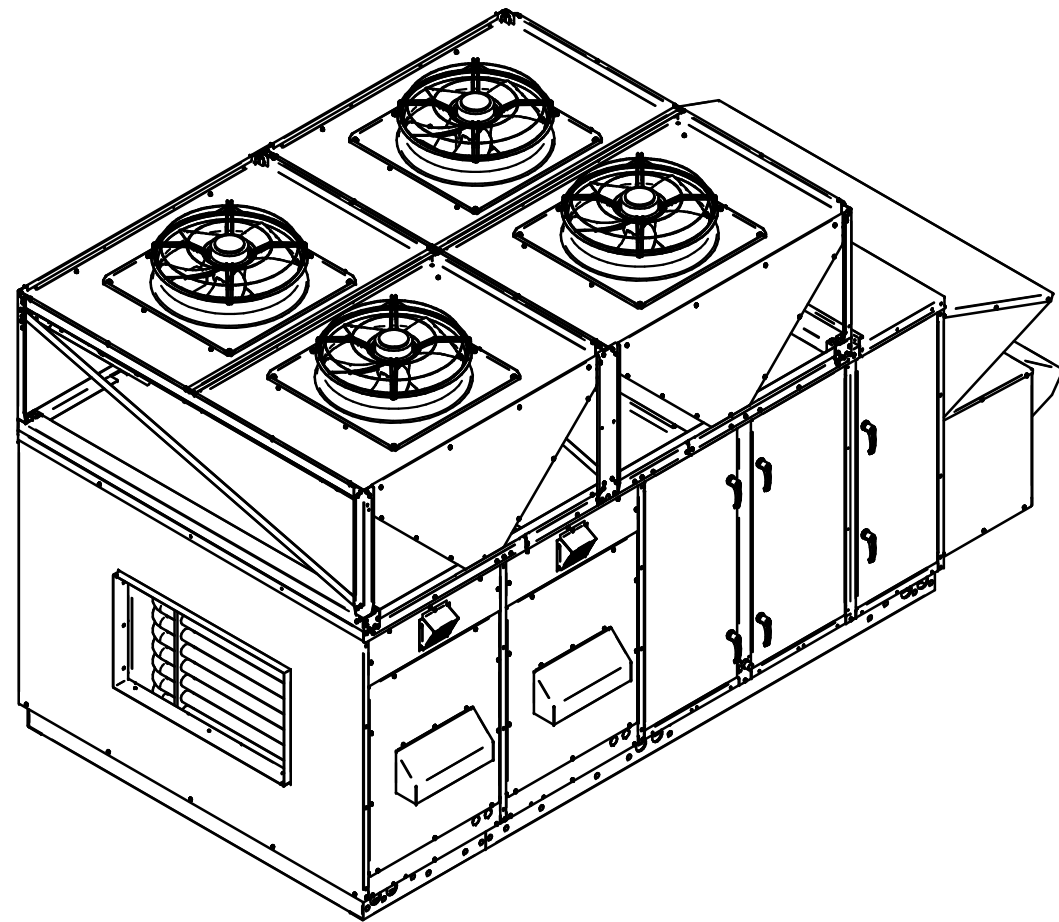


LEFT VIEW



BOTTOM VIEW

TITLE						*RAK/*RMK/*RRK WITH RETURN HORIZ SPLY (20t-45t) S5					
DATE		CKD	APPD	PART #		SHEET #		REV			
4/18/2021		DW	GO			1 OF 2		A			
EPR: 253		DRWN: Josh.Ramsey		07951-5023							



POWERED
EXHAUST SHOWN
FOR REFERENCE

TITLE		*RAK/*RMK/*RRK WITH RETURN HORIZ SPLY (20t-45t) S5			
DATE	CKD	APPD	PART #	SHEET #	REV
4/18/2021	DW	GO		2 OF 2	A
EPR:	DRWN				
253	Josh.Ramsey	07951-5023			