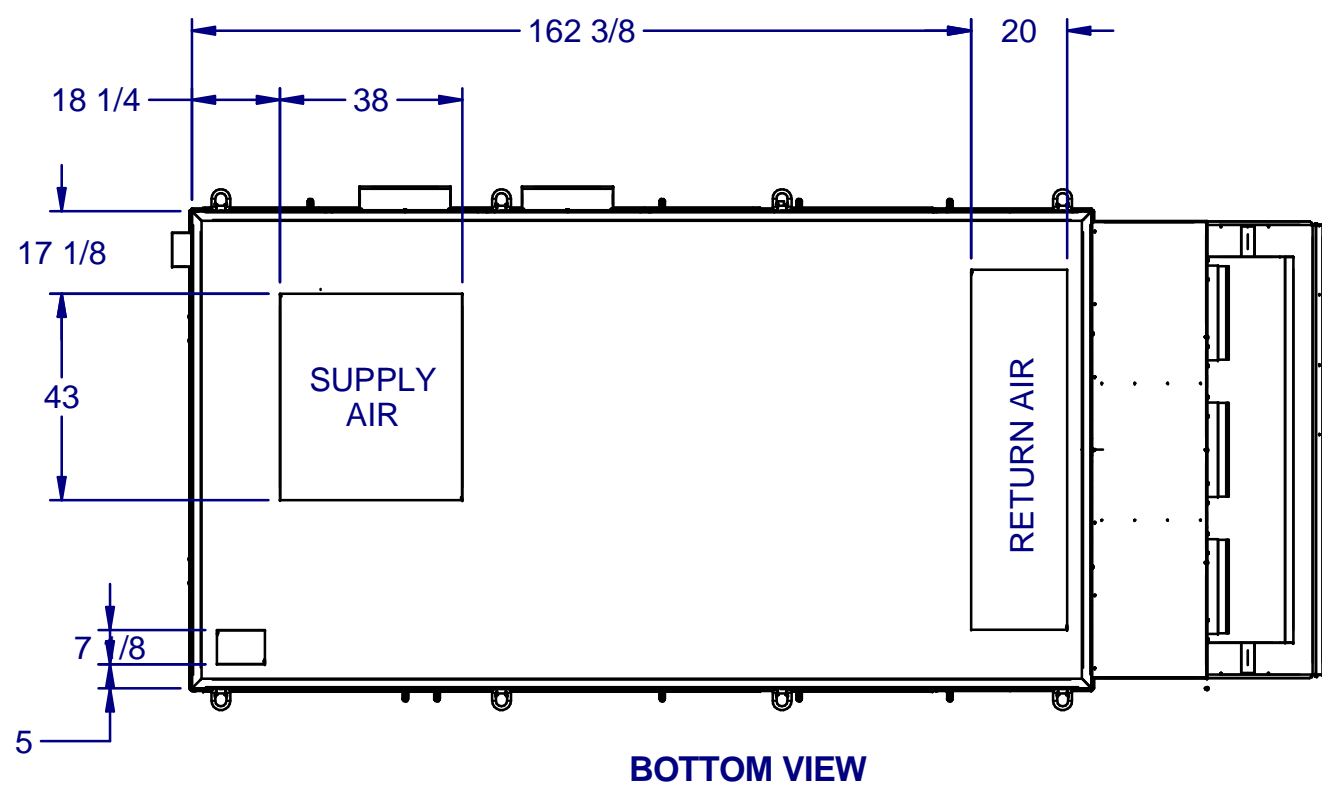
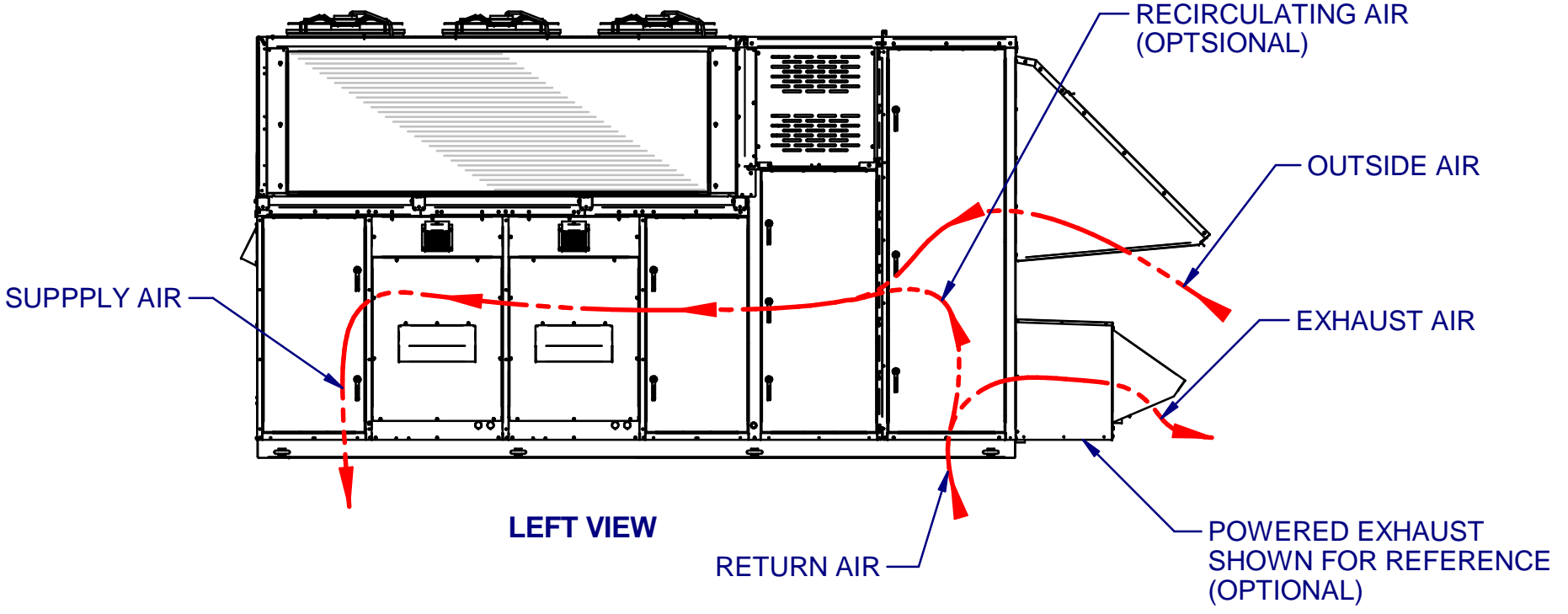
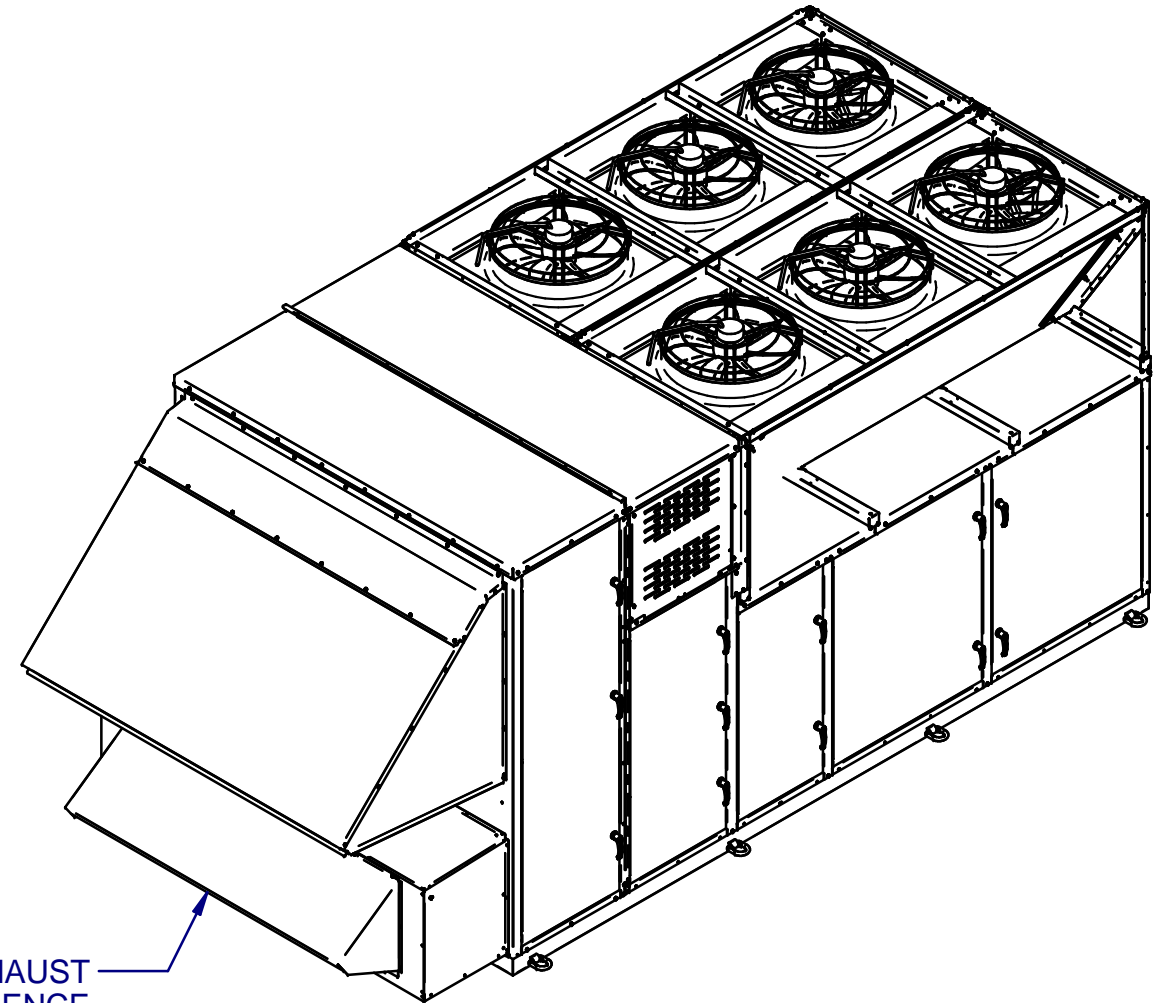
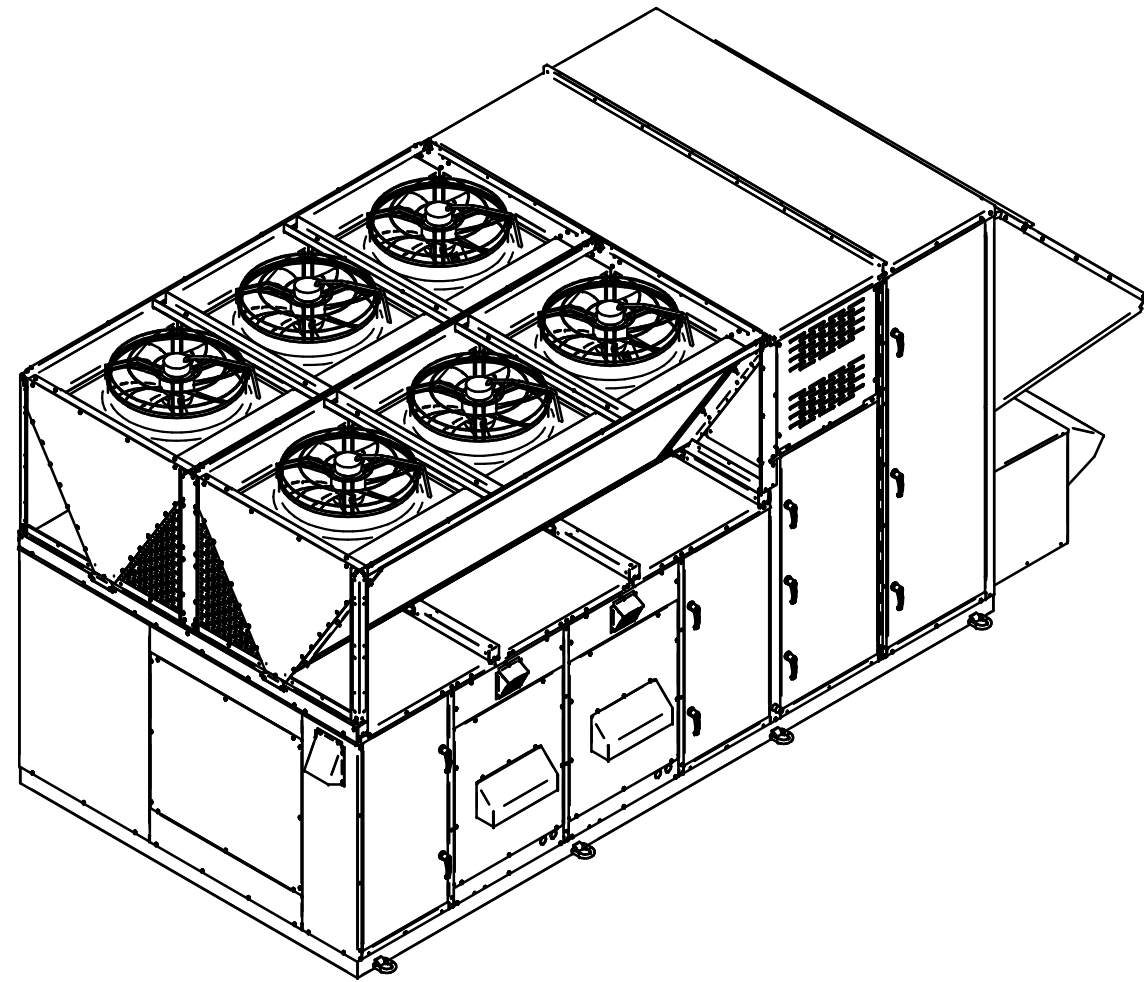


REV	DESCRIPTION	DATE	BY	CKD BY	PCN
-	-	-	-	-	-



TITLE						*RAK/*RMK/*RRK WITH RETURN VERT SPLY (45t-90t) S7			
DATE	CKD	APPD	PART #			SHEET #		REV	
4/21/2021	DW	GO	07951-5024			1 OF 2		A	
ECN: 253		DRWN: Josh.Ramsey							



POWERED EXHAUST
SHOW FOR REFERENCE

TITLE		*RAK/*RMK/*RRK WITH RETURN VERT SPLY (45t-90t) S7		
DATE	CKD	APPD	PART #	SHEET #
4/21/2021	DW	GO		2 OF 2
ECN:	DRWN	07951-5024		A
253	Josh.Ramsey			