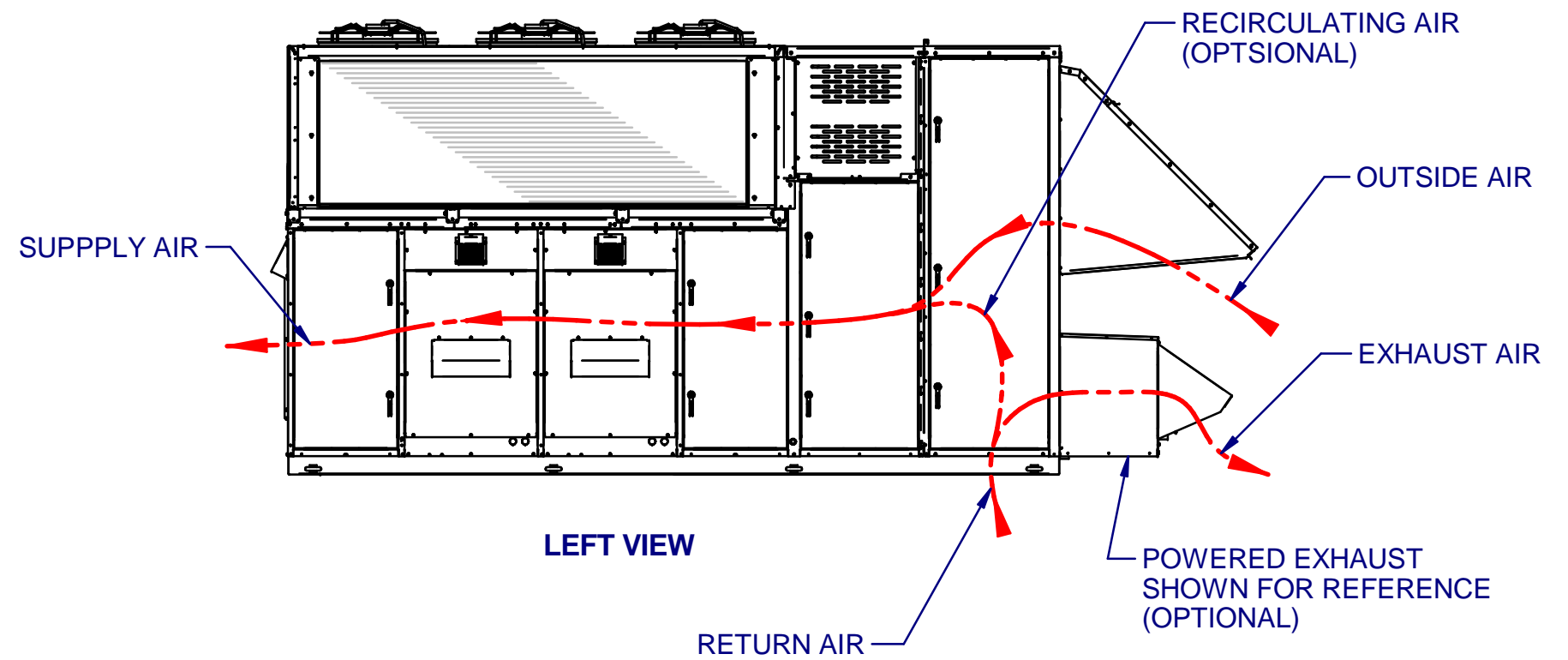
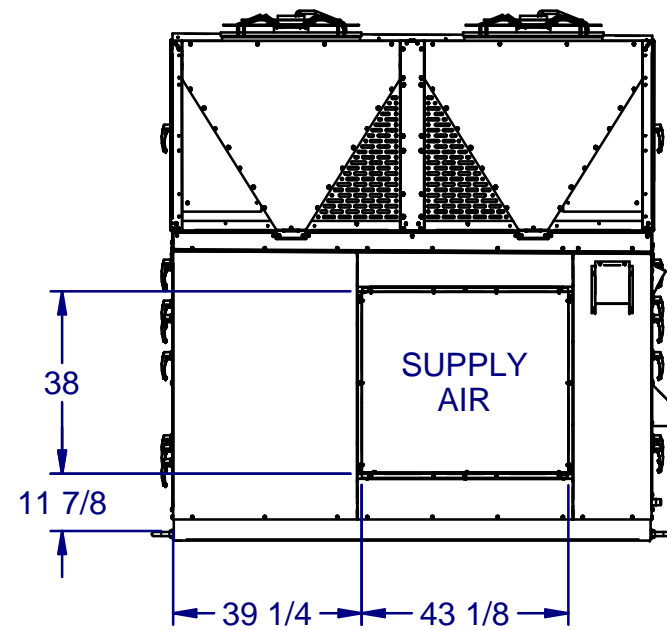
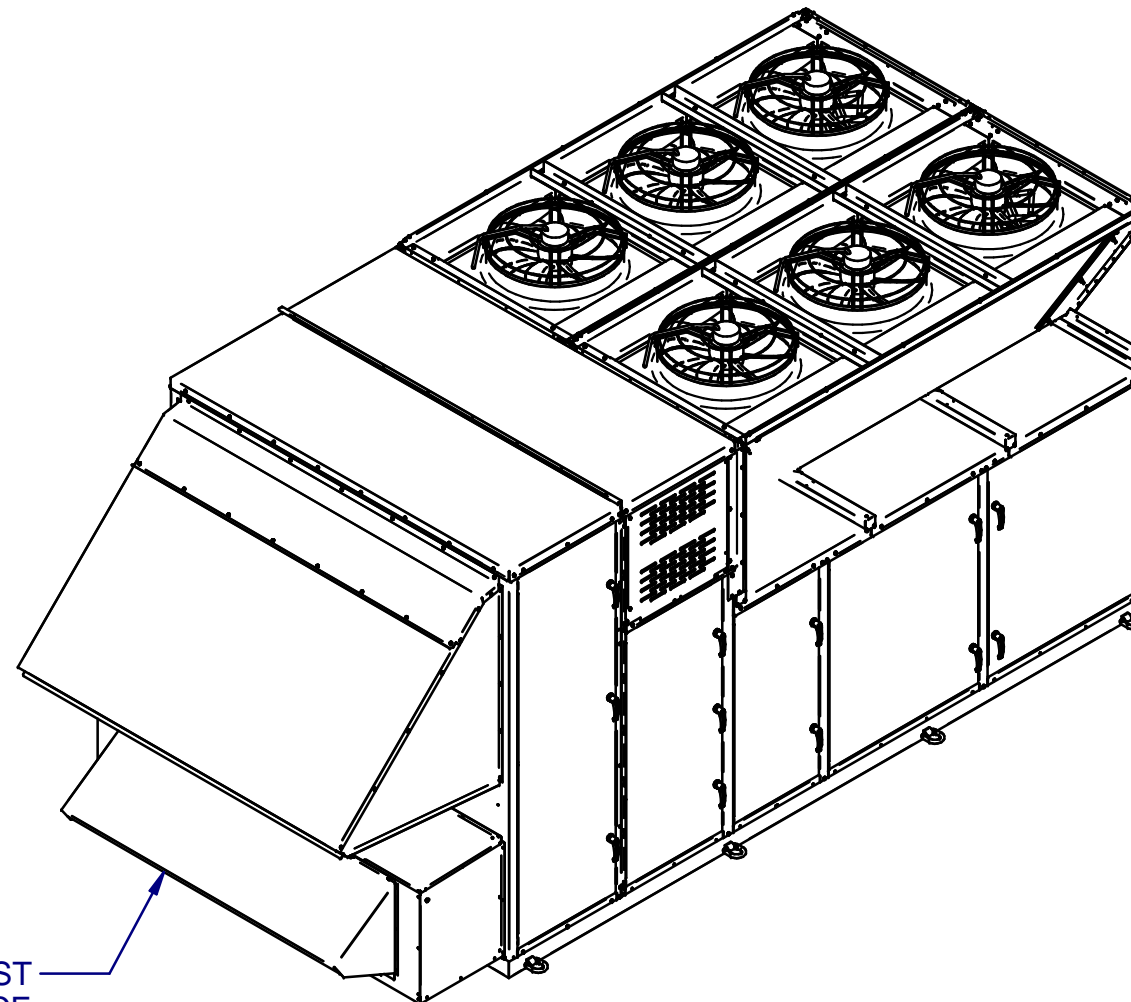
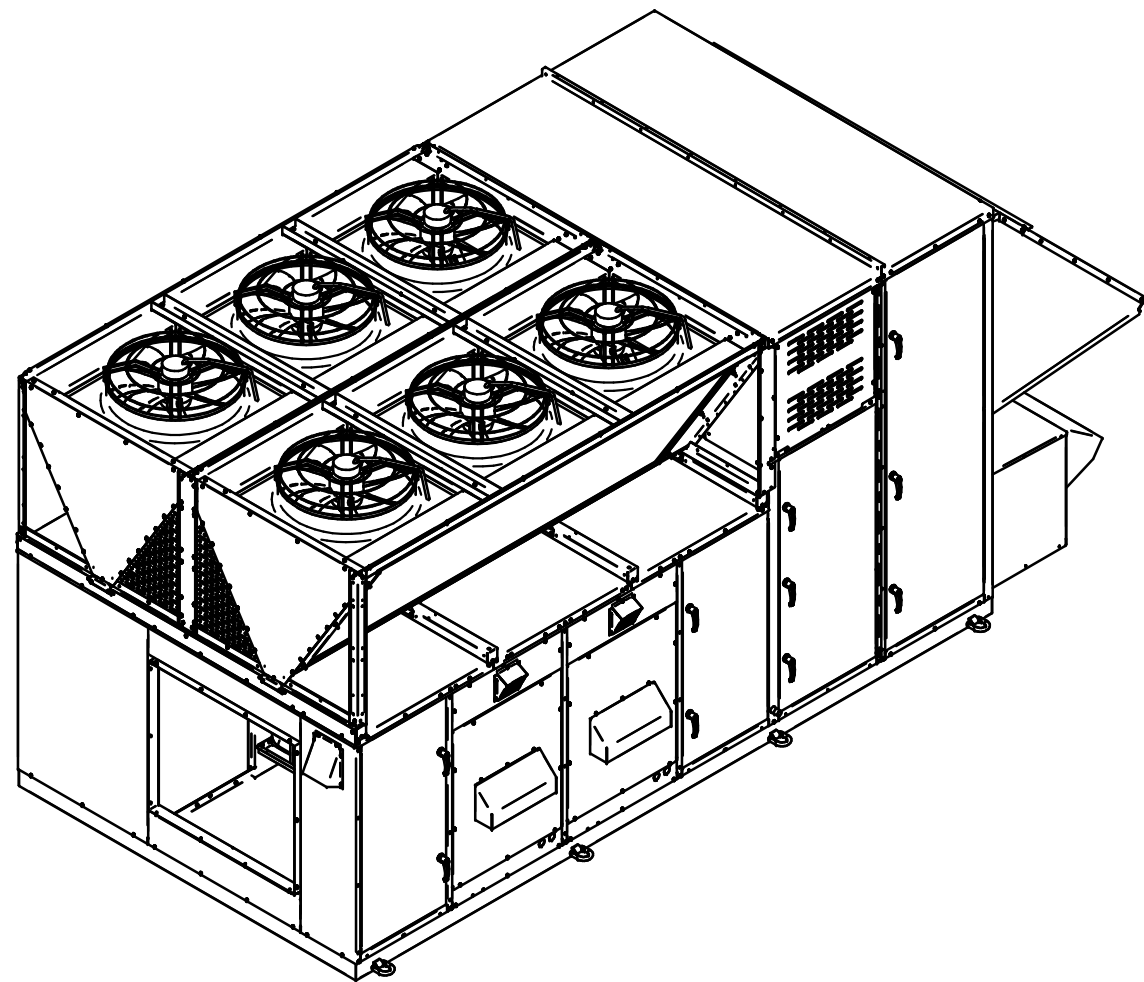


REV	DESCRIPTION	DATE	BY	CKD BY	PCN
-	-	-	-	-	-



LEFT VIEW

TITLE						<b>*RAK/*RMK/*RRK WITH RETURN HORIZ SPLY (45t-90t) S7</b>		
DATE	CKD	APPD	PART #	SHEET #	REV			
4/21/2021	DW	GO		1 OF 2	A			
ECN:	1864	DRWN	Josh.Ramsey	07951-5025				



POWERED EXHAUST  
SHOW FOR REFERENCE

TITLE		<b>*RAK/*RMK/*RRK WITH RETURN HORIZ SPLY (45t-90t) S7</b>			
DATE	CKD	APPD	PART #	SHEET #	REV
4/21/2021	DW	GO		2 OF 2	A
ECN:	1864	DRWN	Josh.Ramsey	07951-5025	