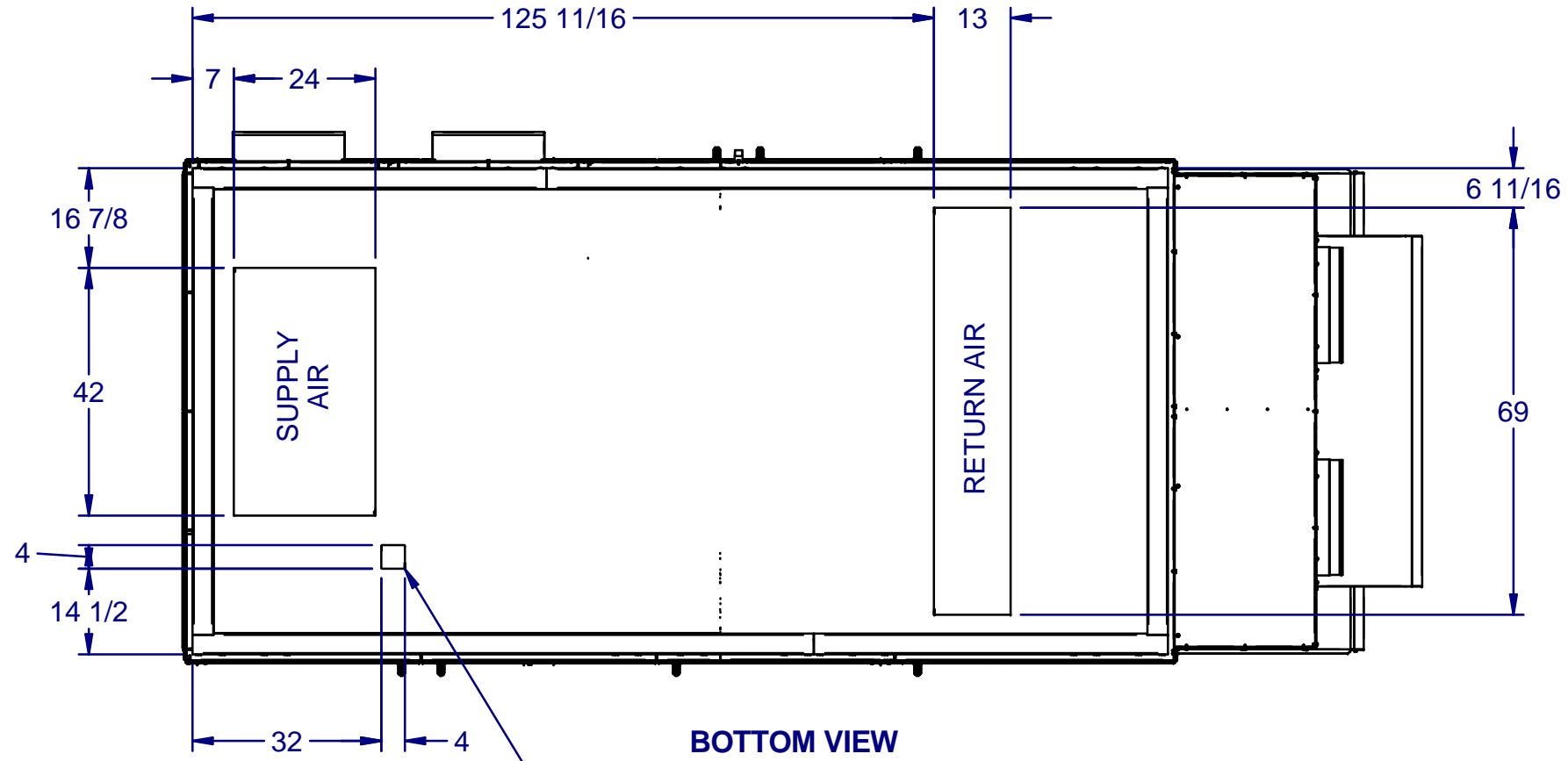
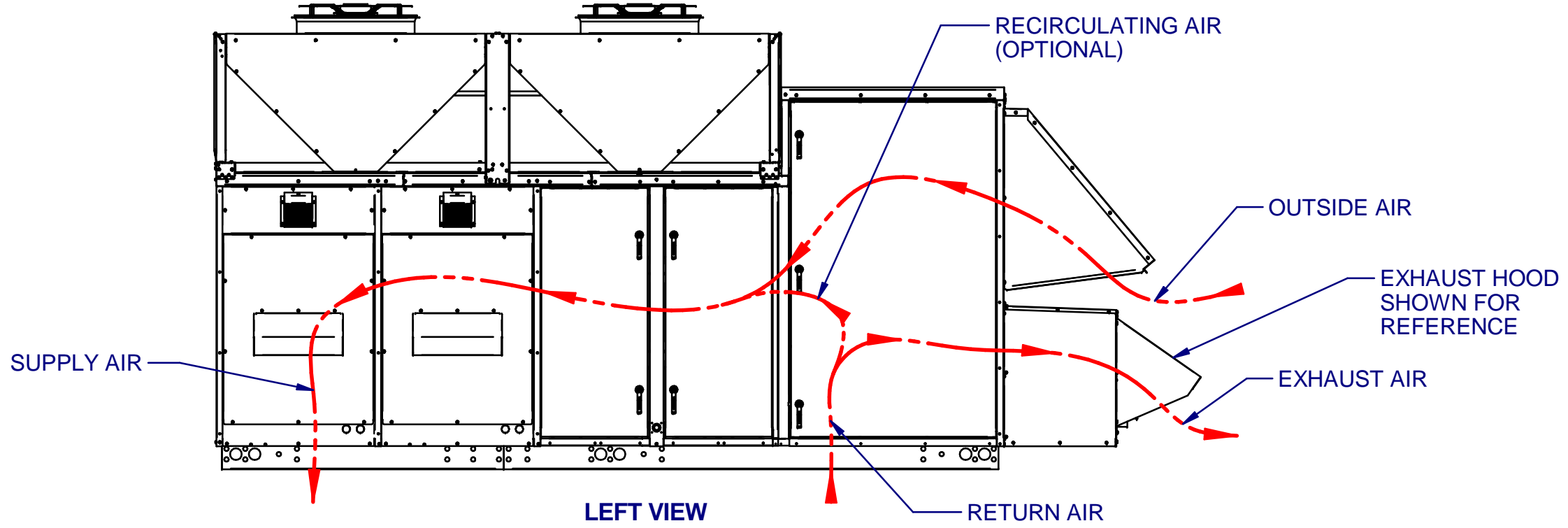
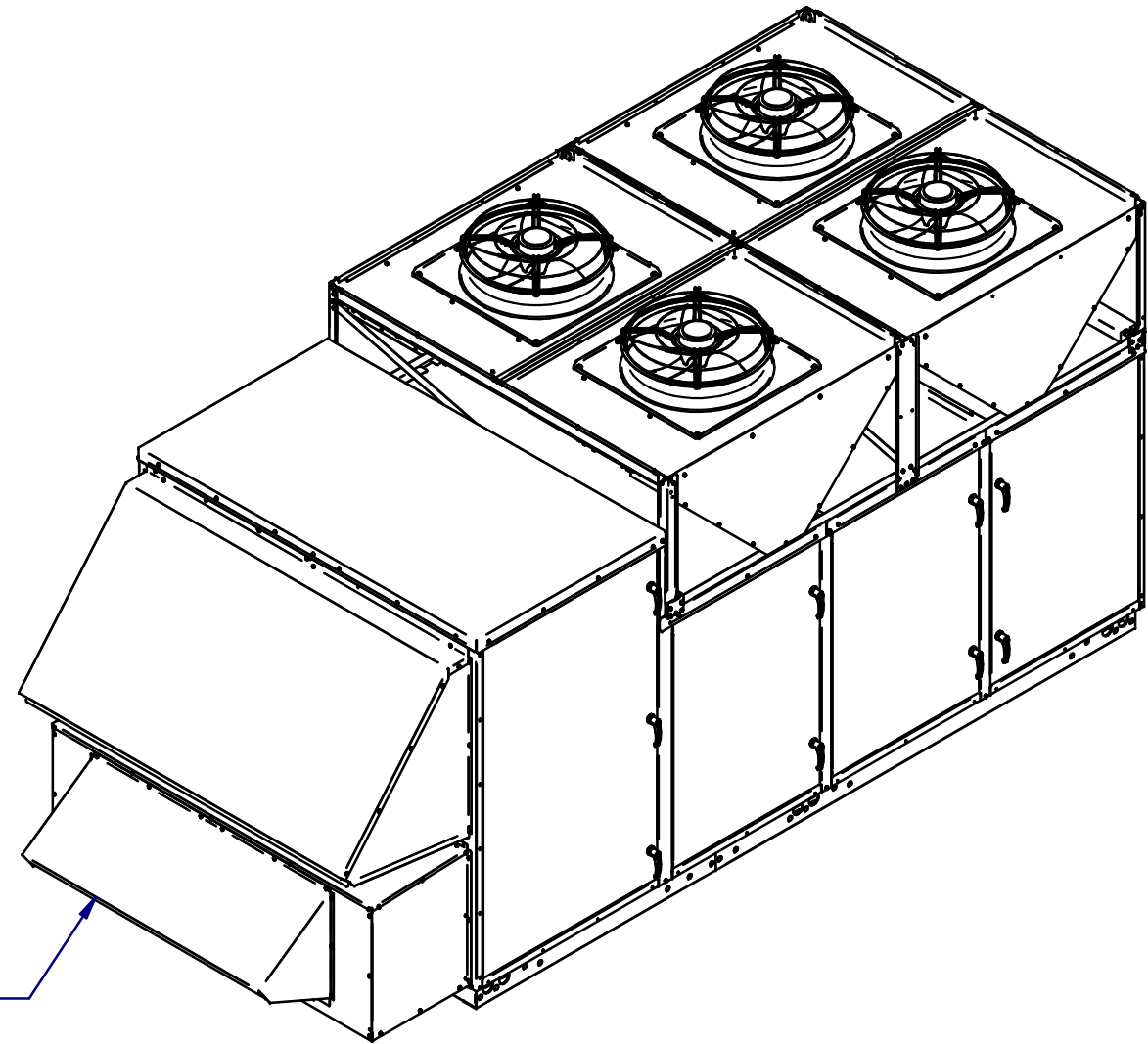
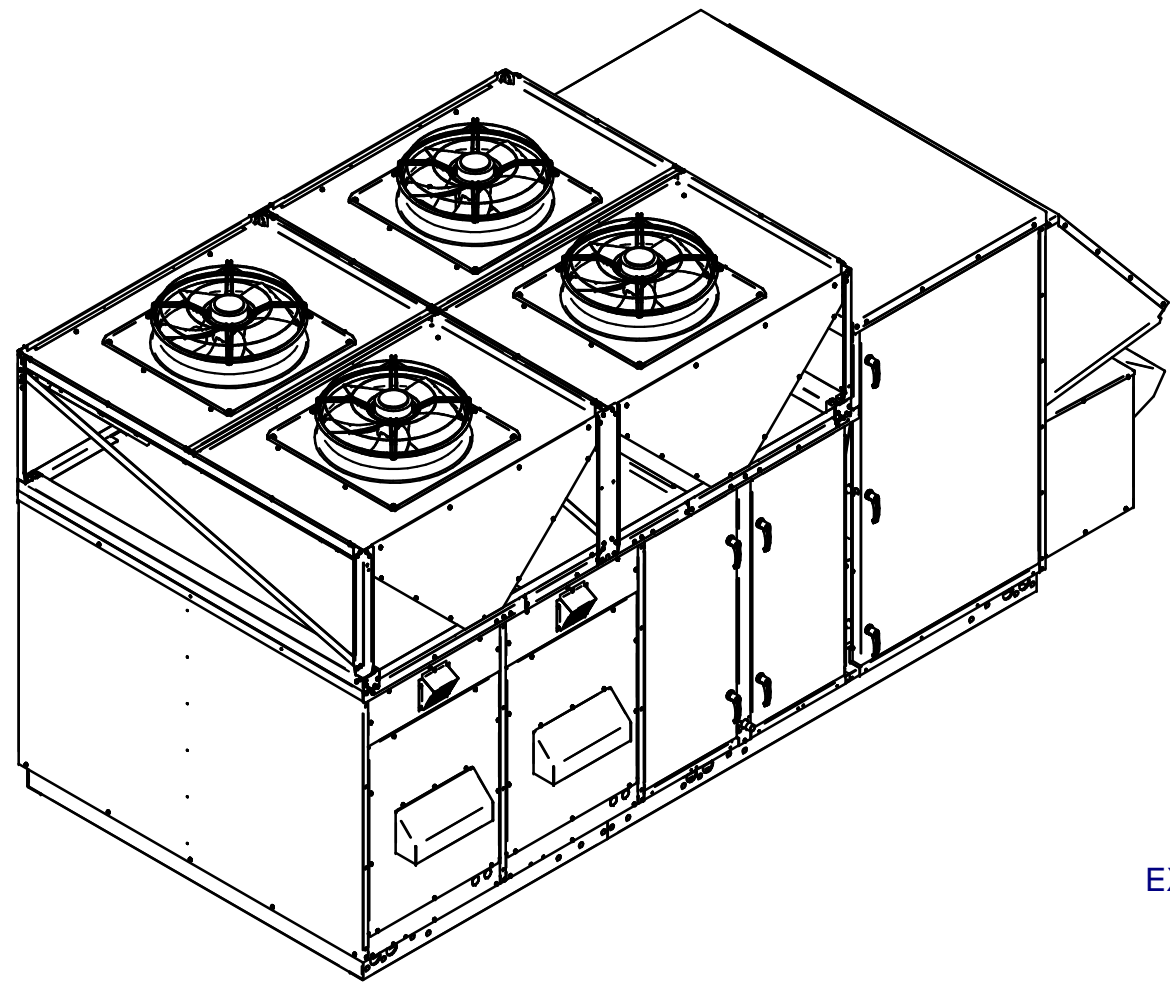


REV	DESCRIPTION	DATE	BY	CKD BY	PCN
-	-	-	-	-	-



TITLE		*REK/*RMK WITH ECW VERT SPLY (20t-45t) S5			
DATE	CKD	APPD	PART #	SHEET #	REV
4/18/2021	DW	GO		1 OF 2	A
EPR: 253		DRWN: Josh.Ramsey		07951-5026	



EXHAUST HOOD
SHOWN FOR
REFERENCE

TITLE		*REK/*RMK WITH ECW VERT SPL Y (20t-45t) S5			
DATE	CKD	APPD	PART #	SHEET #	REV
4/18/2021	DW	GO		2 OF 2	A
EPR:	DRWN				
253	Josh.Ramsey	07951-5026			