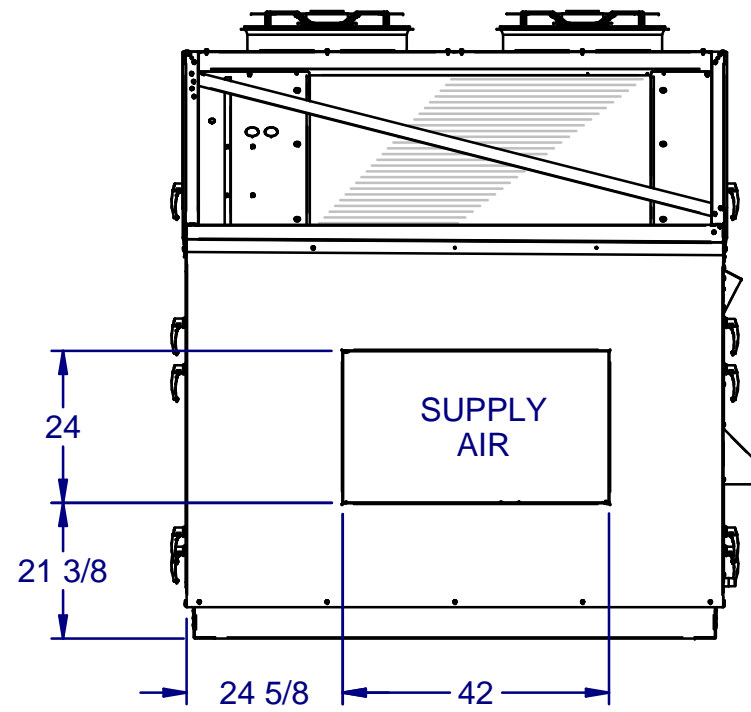
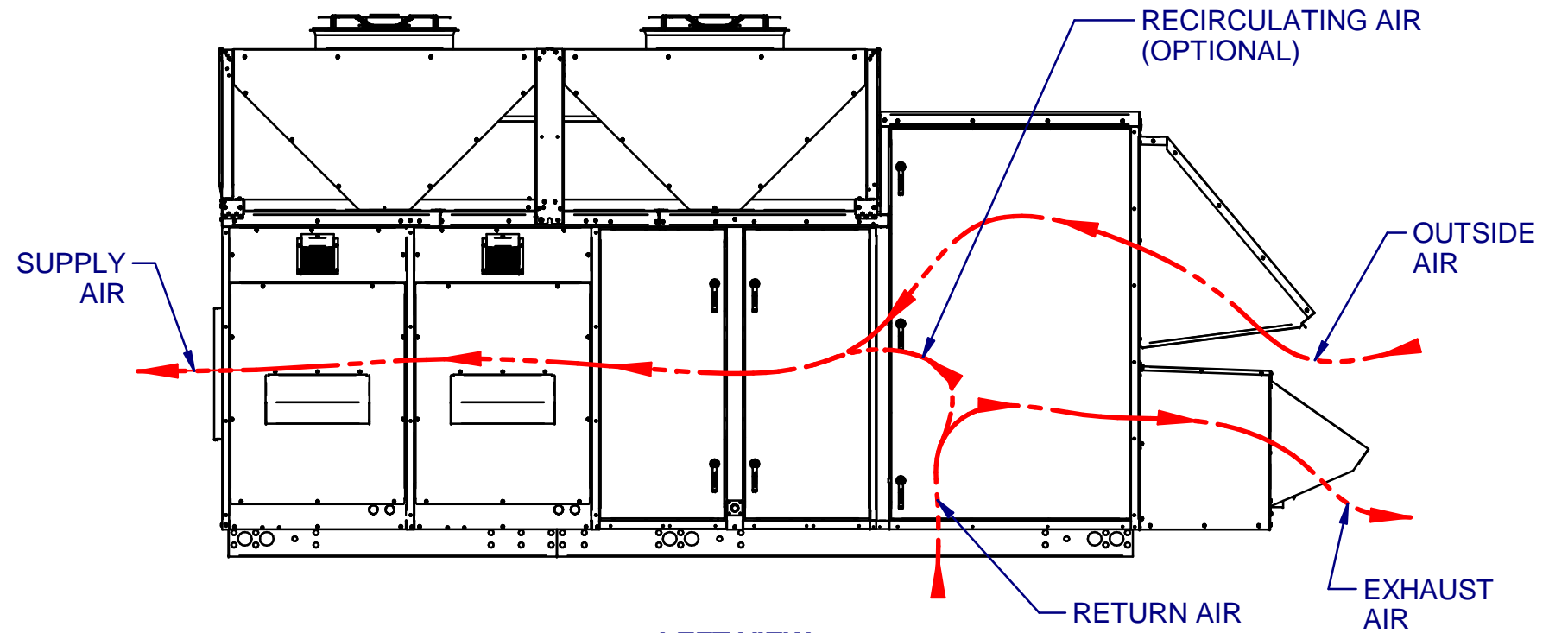


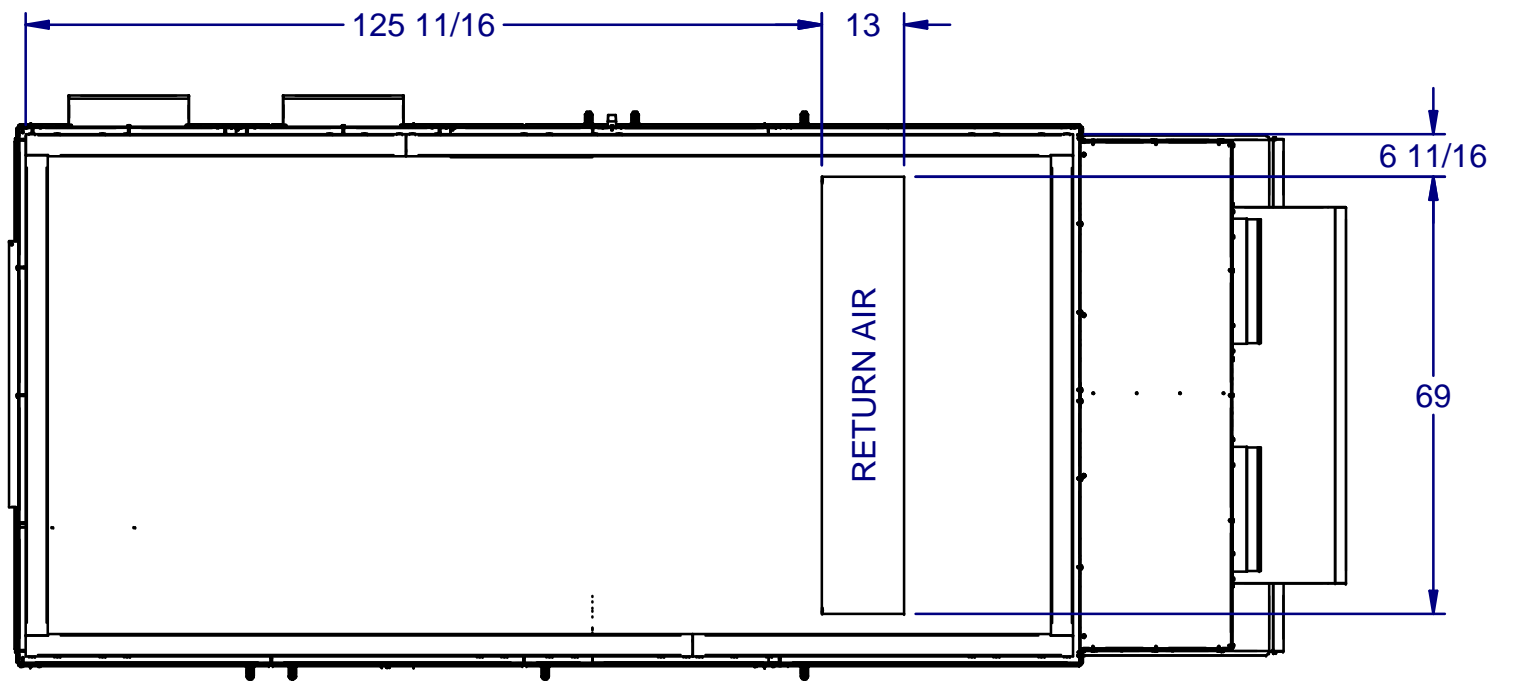
REV	DESCRIPTION	DATE	BY	CKD BY	PCN
-	-	-	-	-	-



REAR VIEW

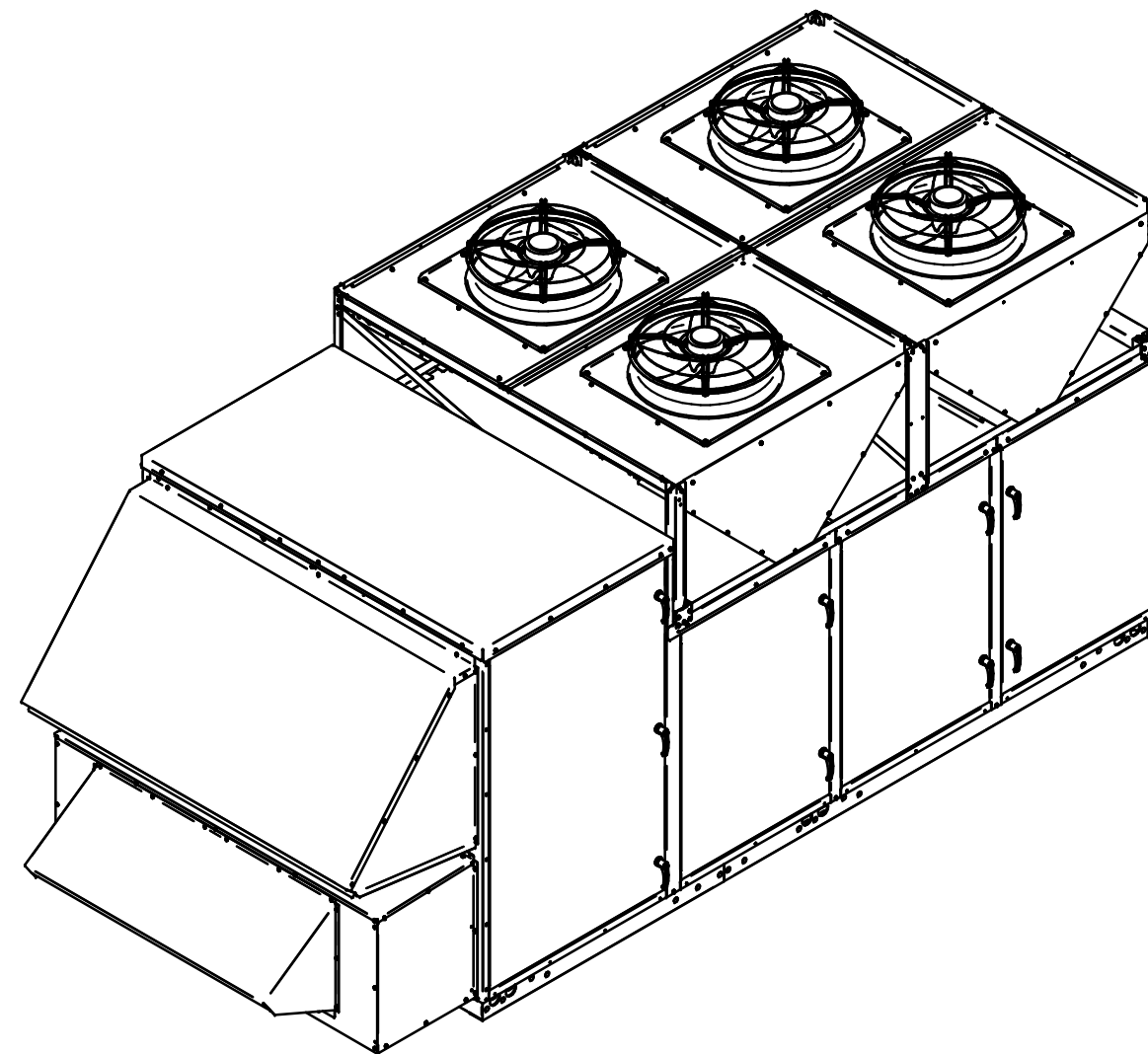
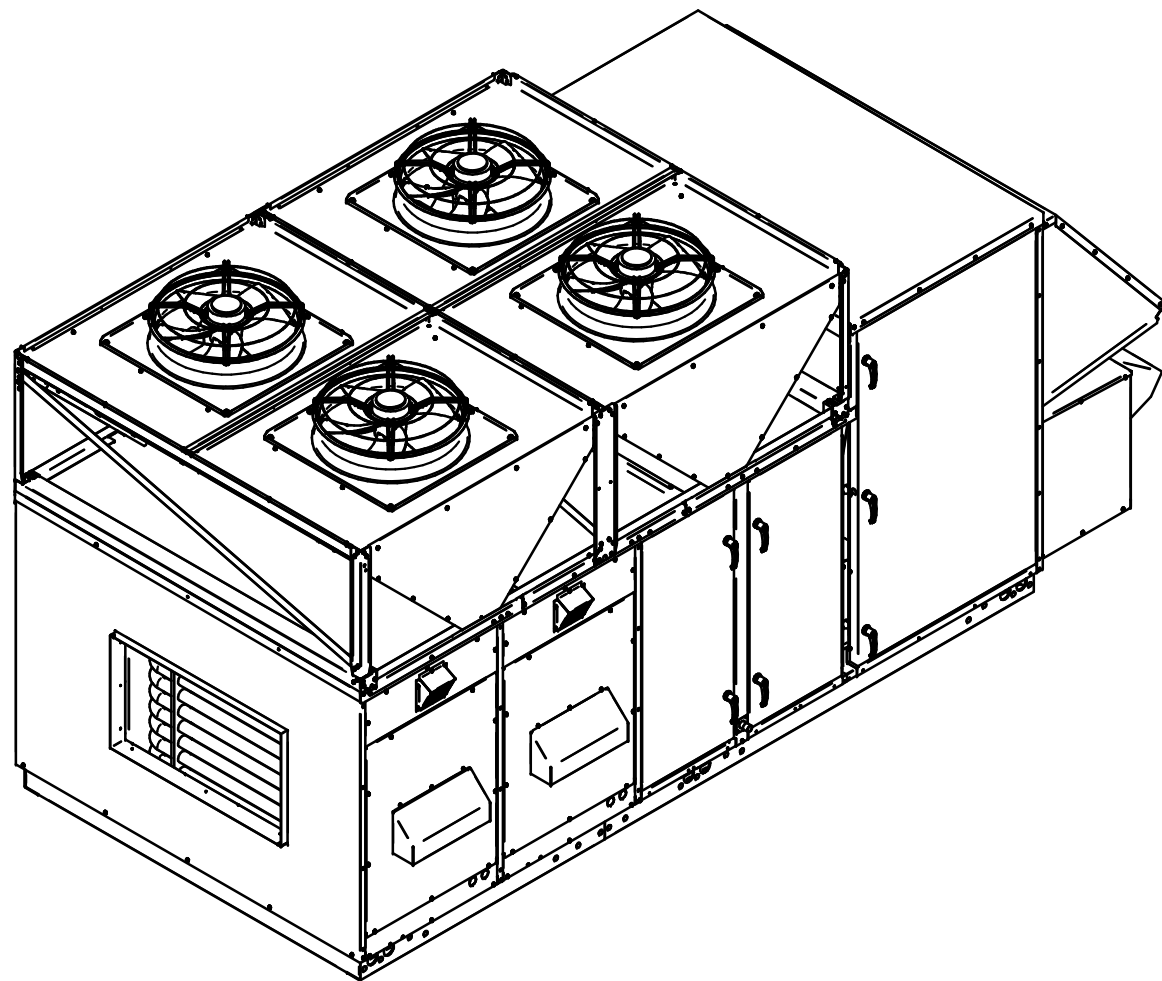


LEFT VIEW



BOTTOM VIEW

TITLE		*REK*/RMK WITH ECW HORIZ SPLY (20t-45t) S5			
DATE	CKD	APPD	PART #	SHEET #	REV
4/18/2021	DW	GO		1 OF 2	A
EPR:	DRWN	PART #			
253	Josh.Ramsey	07951-5027			



TITLE		*REK/*RMK WITH ECW HORIZ SPLY (20t-45t) S5			
DATE	CKD	APPD	PART #	SHEET #	REV
4/18/2021	DW	GO			
EPR:	DRWN			07951-5027	2 OF 2 A
253	Josh.Ramsey				