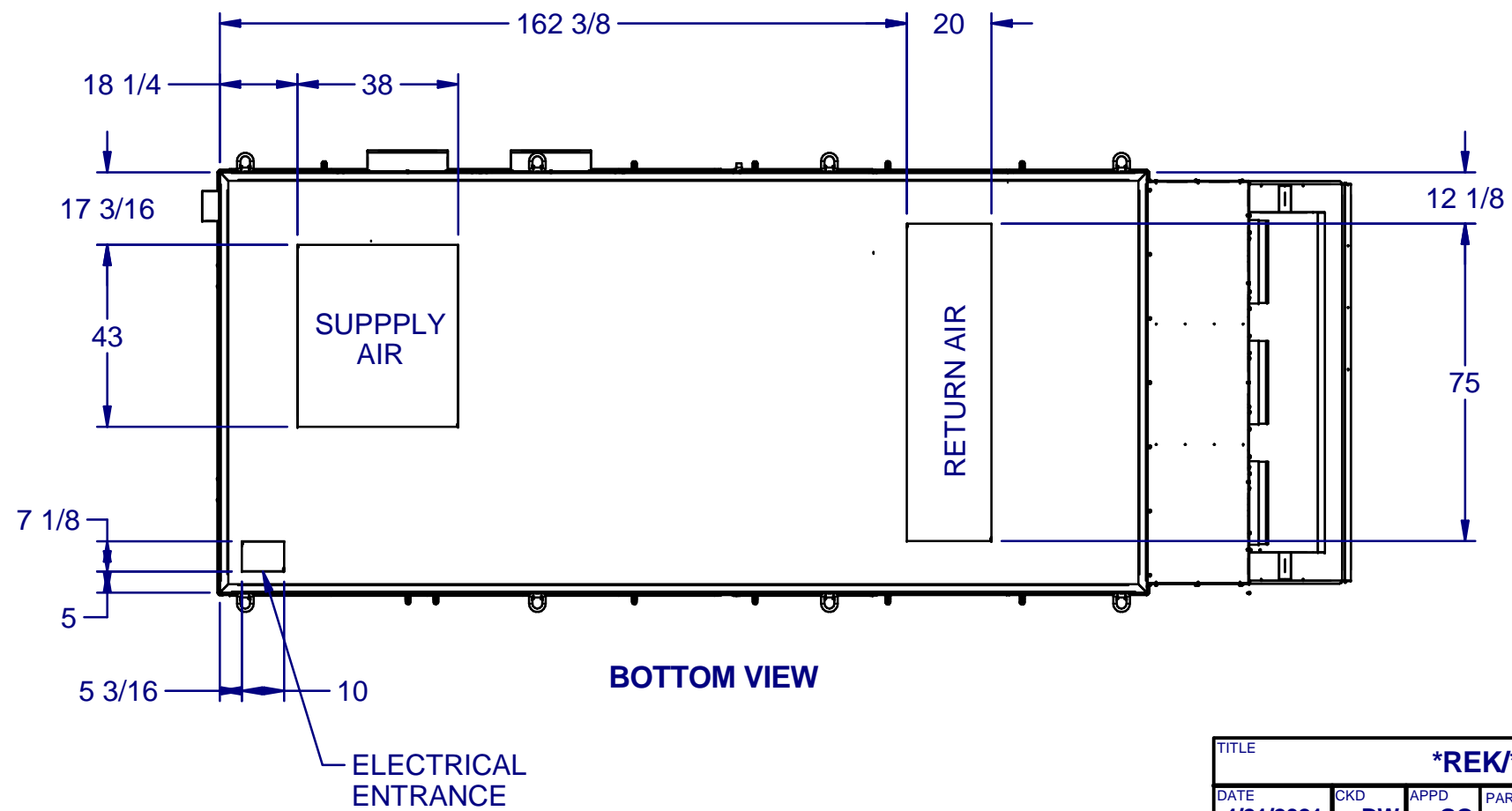
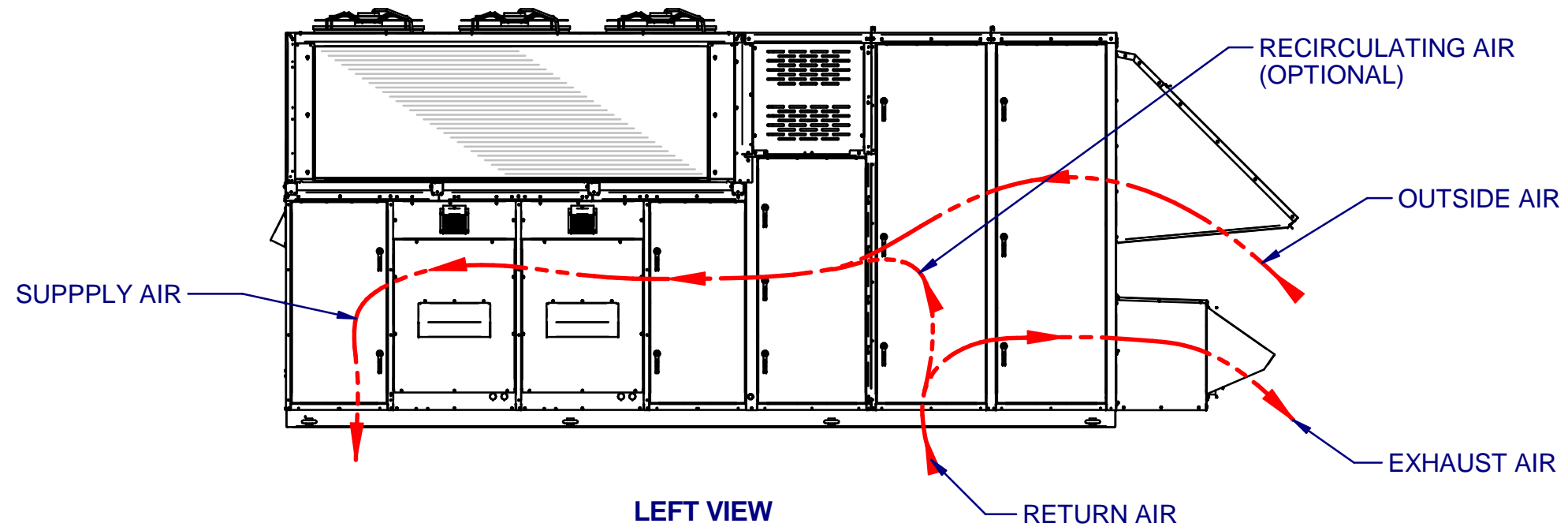
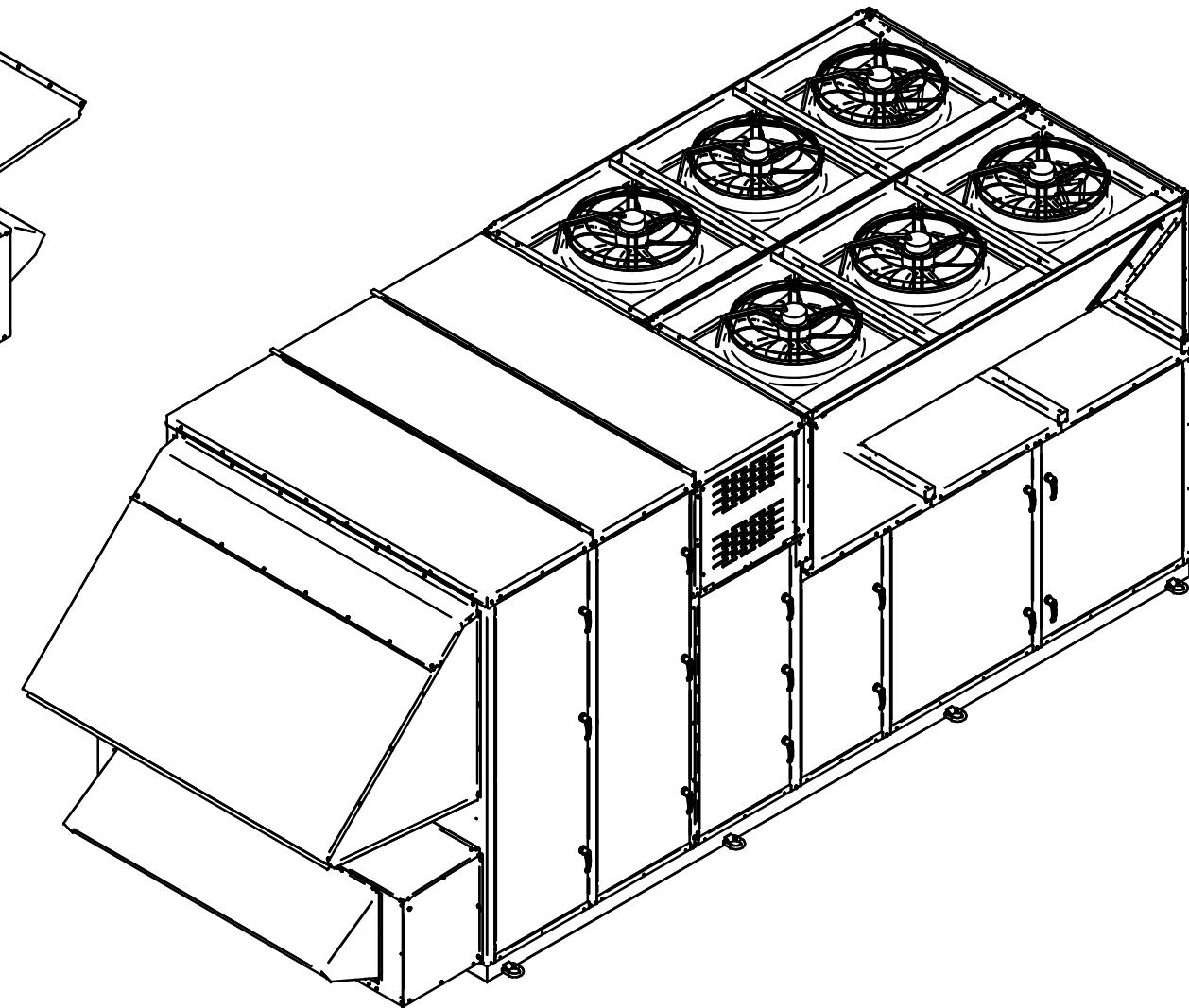
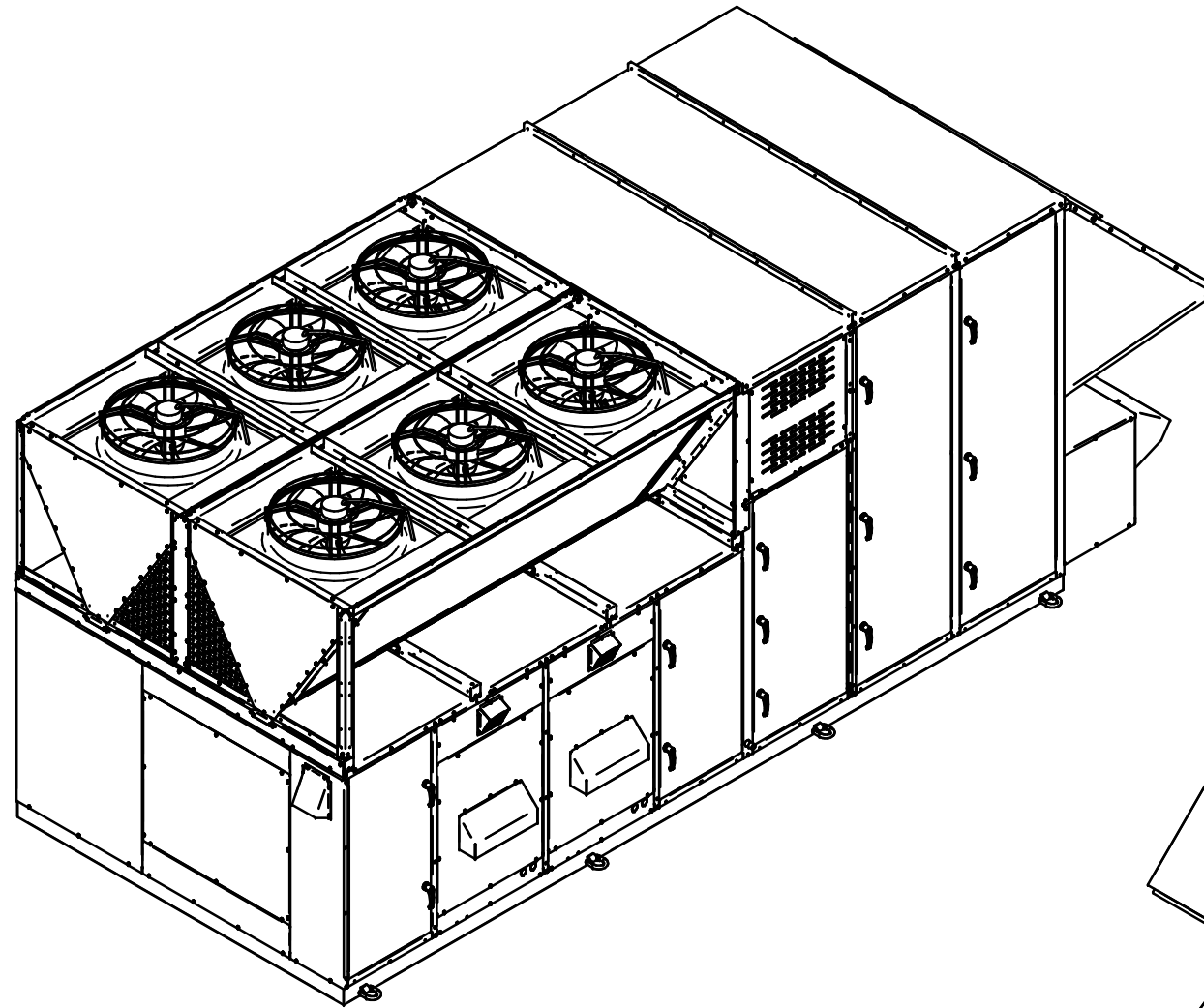


REV	DESCRIPTION	DATE	BY	CKD BY	PCN
-	-	-	-	-	-



TITLE		*REK*/RMK*/RRK WITH ECW VERT SPLY (45t-90t) S7			
DATE	CKD	APPD	PART #	SHEET #	REV
4/21/2021	DW	GO		1 OF 2	A
ECN:	1864	DRWN	Josh.Ramsey	07951-5028	



TITLE		*REK/*RMK/*RRK WITH ECW VERT SPL Y (45t-90t) S7			
DATE	CKD	APPD	PART #	SHEET #	REV
4/21/2021	DW	GO		2 OF 2	A
ECN:	DRWN				
1864	Josh.Ramsey	07951-5028			