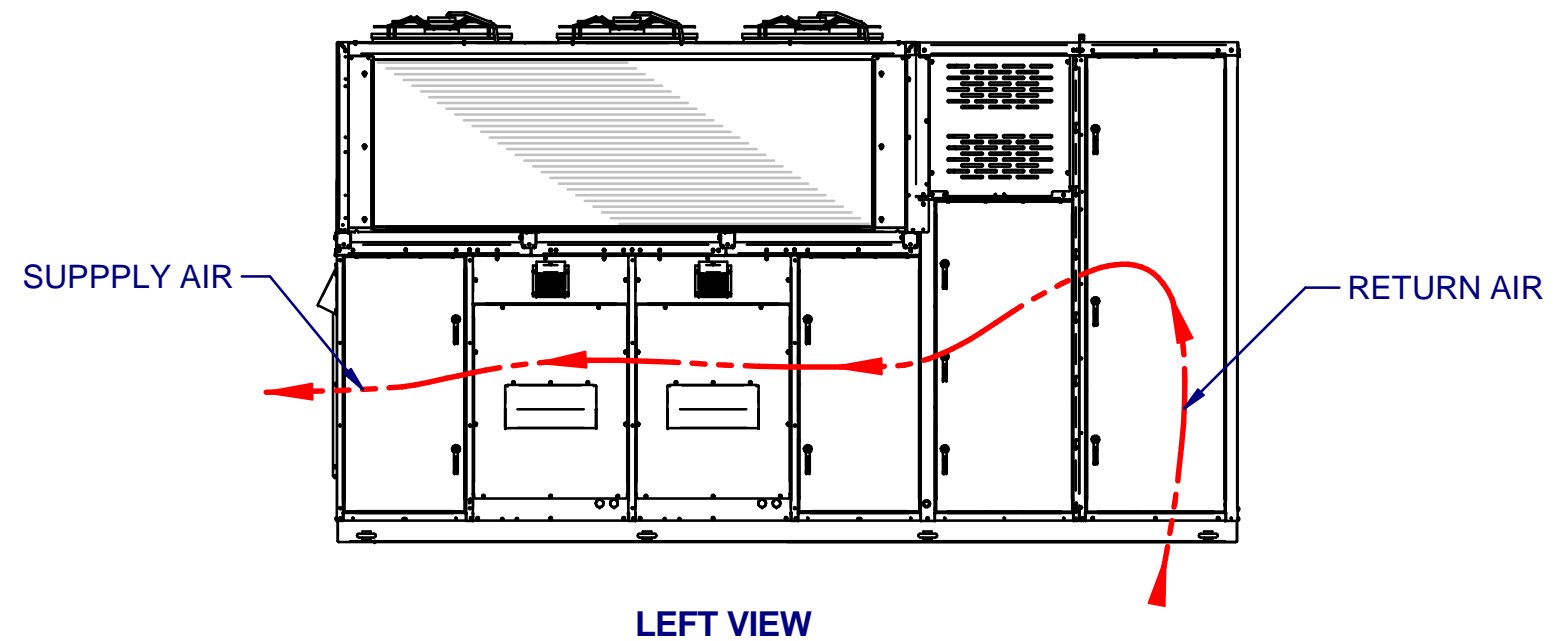
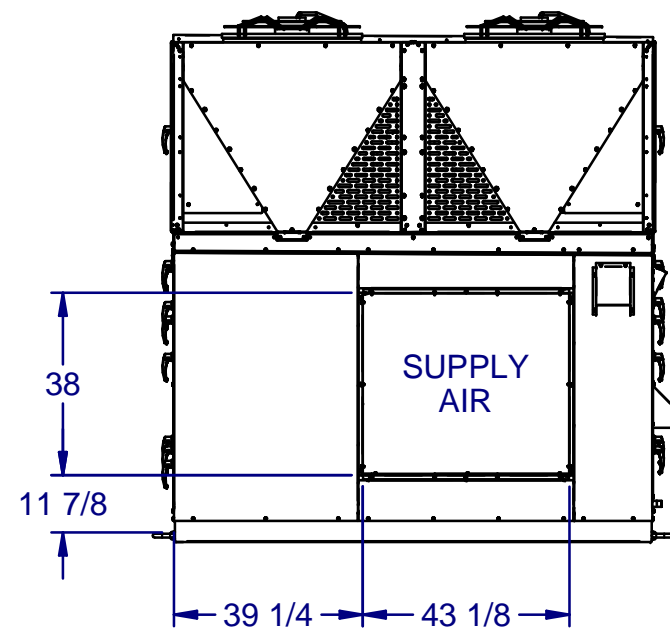
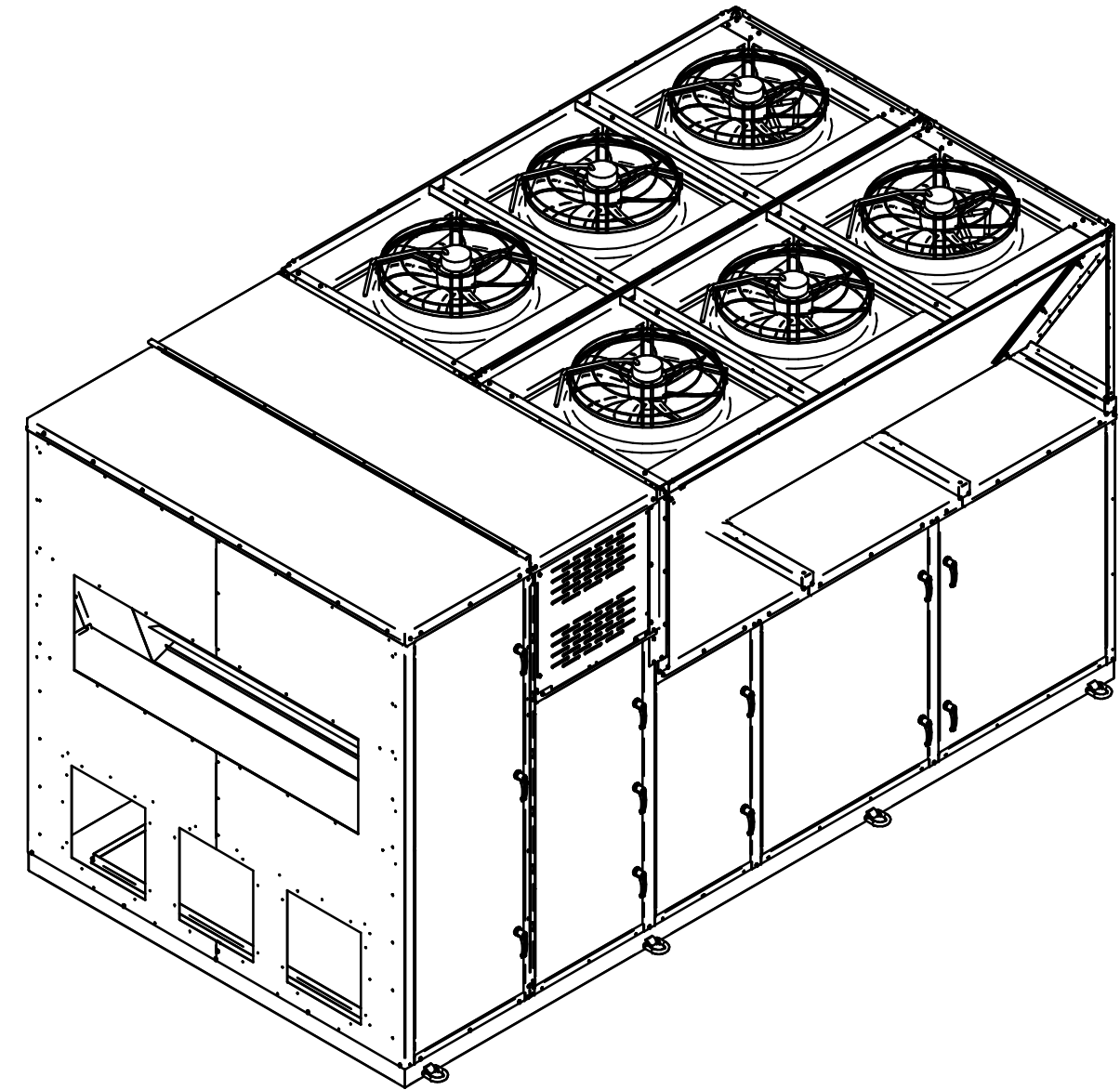
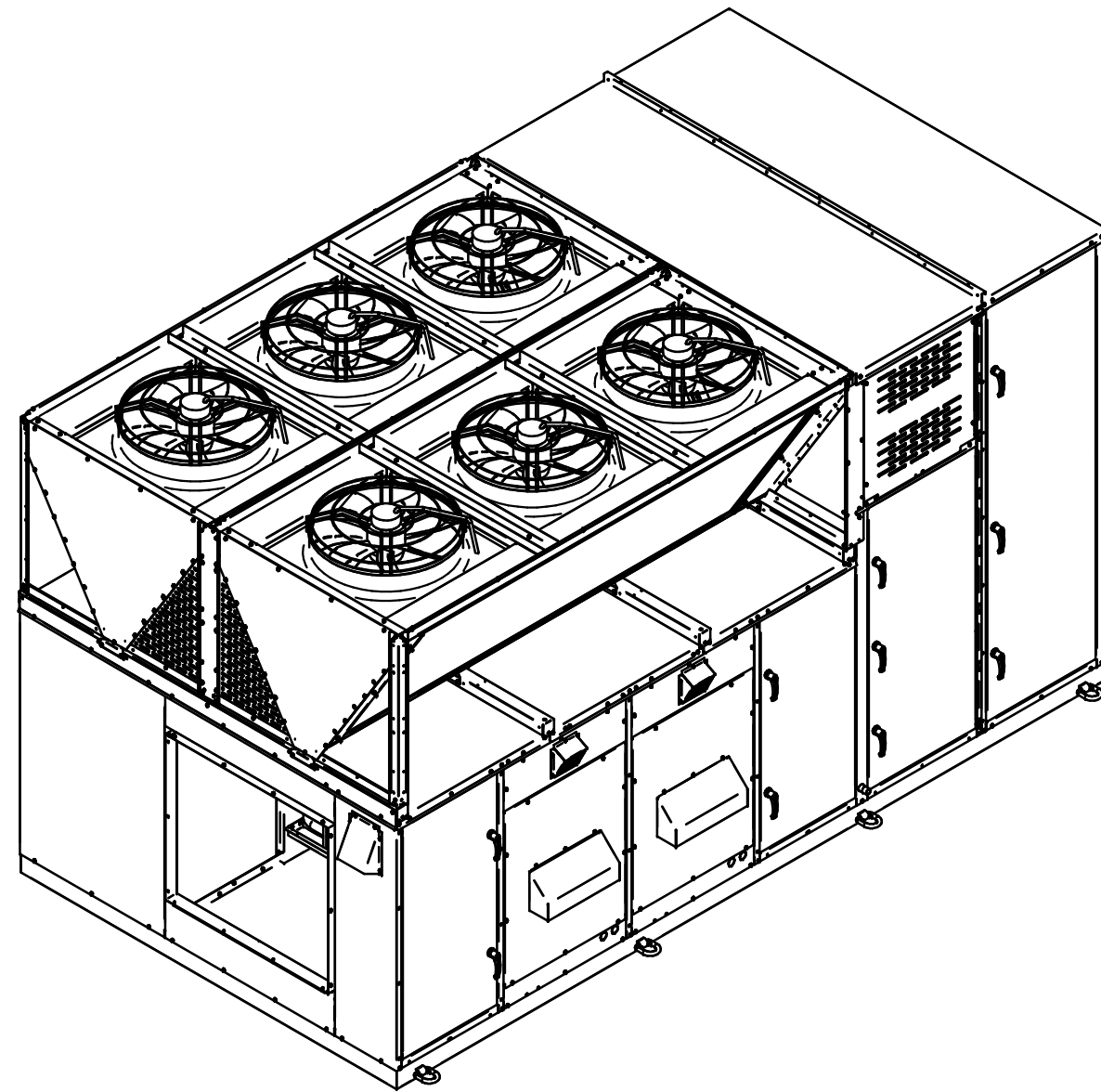


REV	DESCRIPTION	DATE	BY	CKD BY	PCN
-	-	-	-	-	-



TITLE		*RRK RECICULATING ONLY HORIZ SPLY (45t-90t) S7			
DATE	CKD	APPD	PART #	SHEET #	REV
4/21/2021	DW	GO		1 OF 2	A
ECN:	DRWN				
253	Josh.Ramsey	0795I-5031			



TITLE		*RRK RECICULATING ONLY HORIZ SPLY (45t-90t) S7			
DATE	CKD	APPD	PART #	SHEET #	REV
4/21/2021	DW	GO		2 OF 2	A
ECN:	DRWN	0795I-5031			
253	Josh.Ramsey				