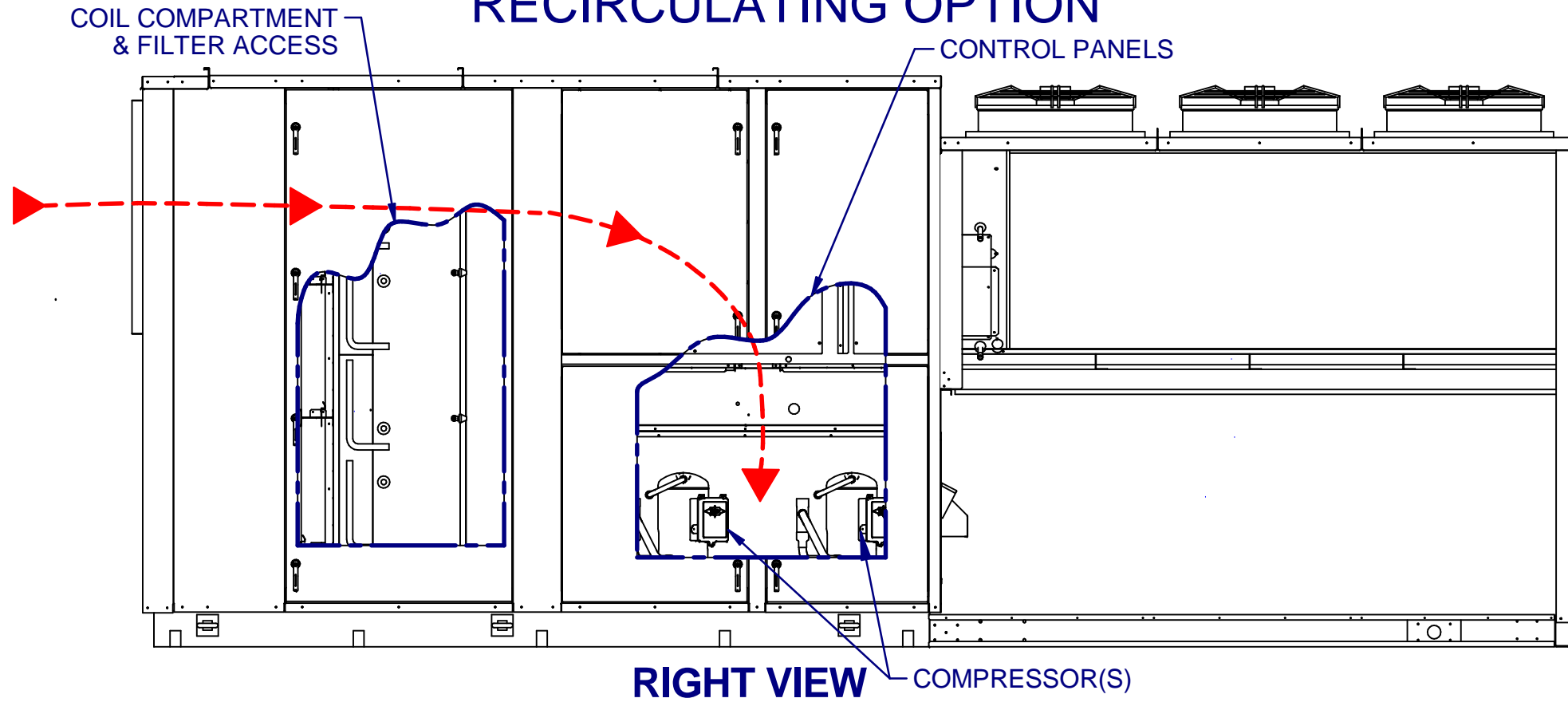
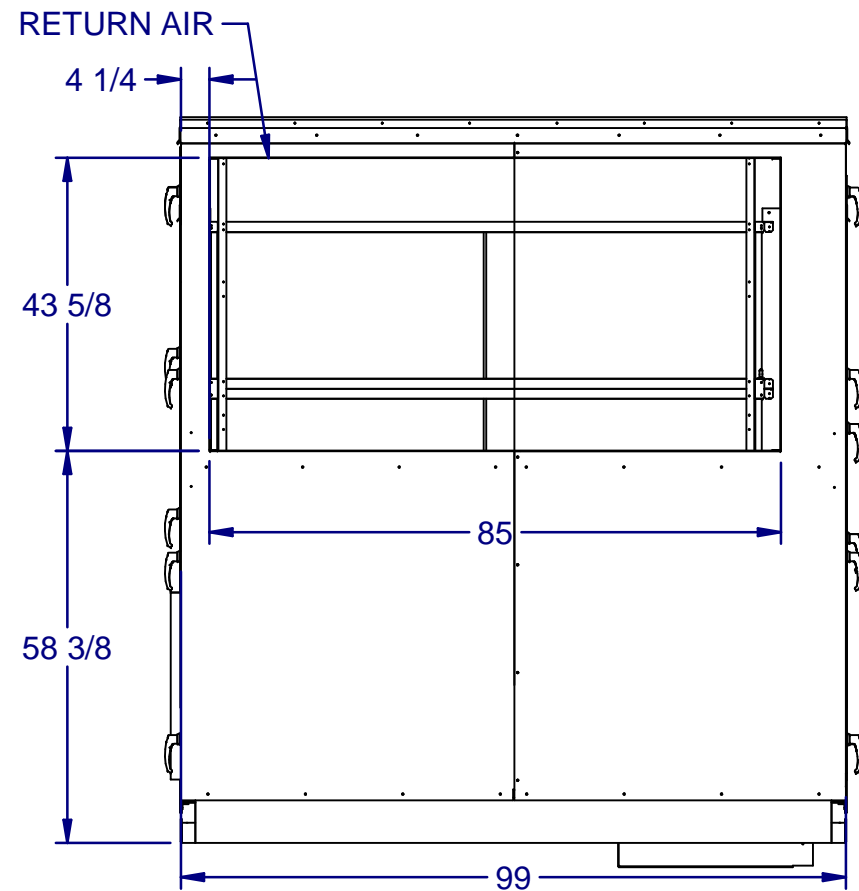


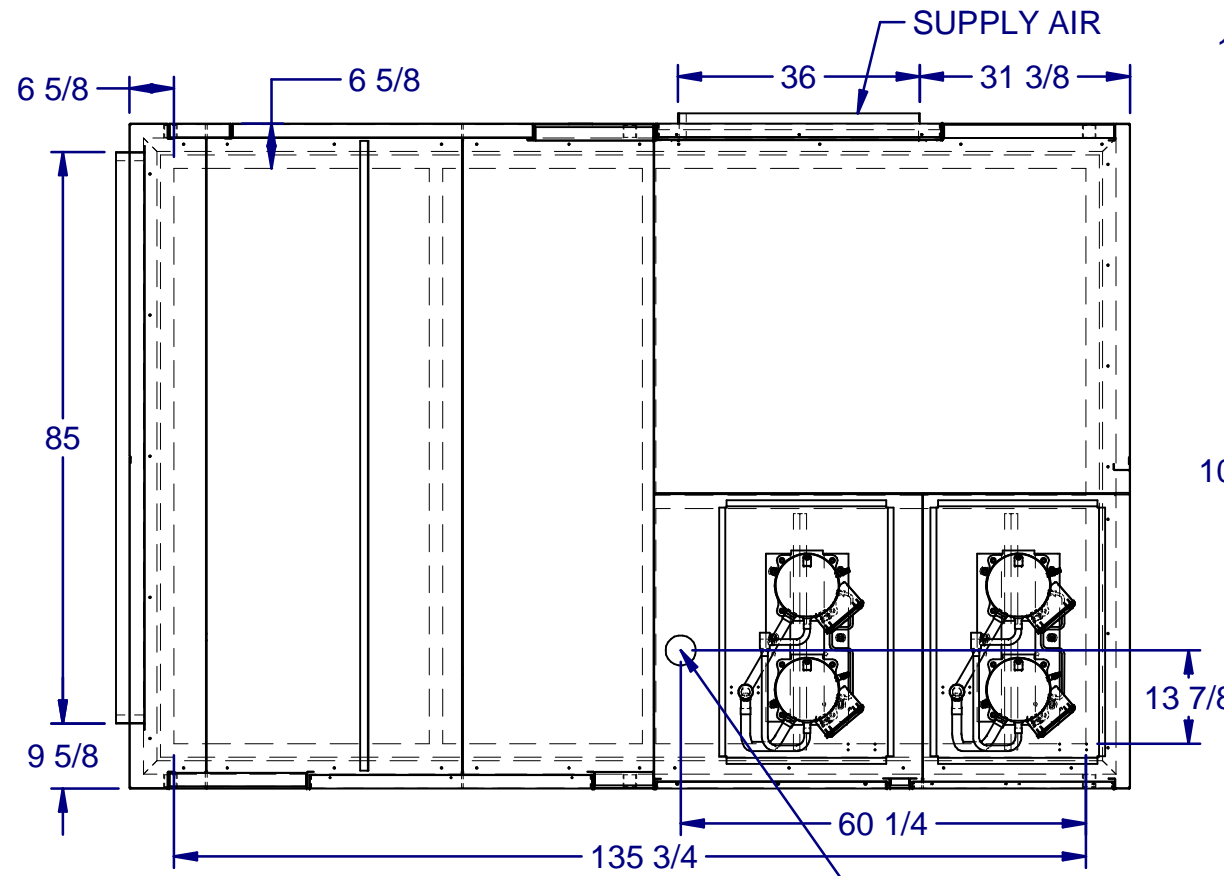
RECIRCULATING OPTION



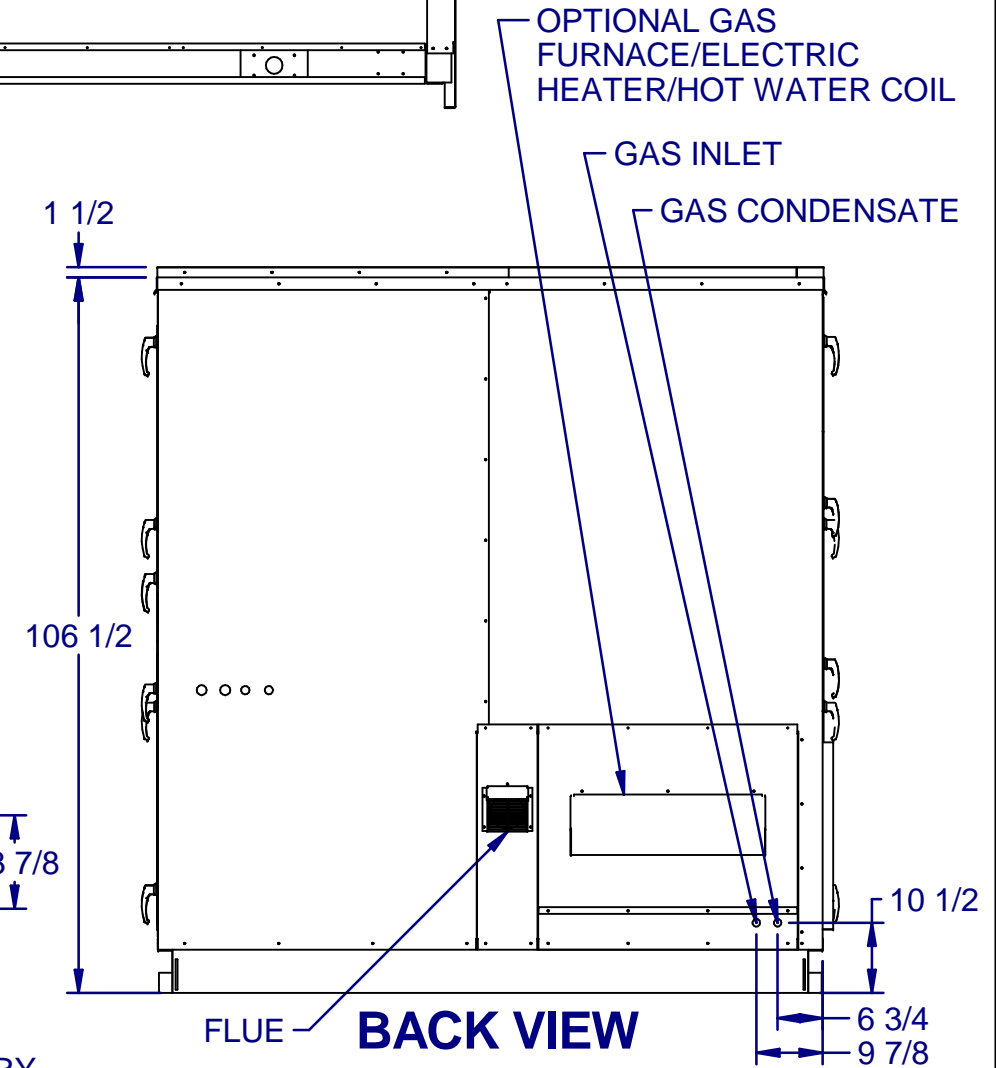
RIGHT VIEW



FRONT VIEW



**TOP PLAN VIEW
CONDENSING SIDE
NOT SHOWN**



BACK VIEW

DRAWING NUMBER: 07951-5035-2 4/23/2021

TITLE: PR E8 SS END RTRN NO EXH CAB 1 OF 1