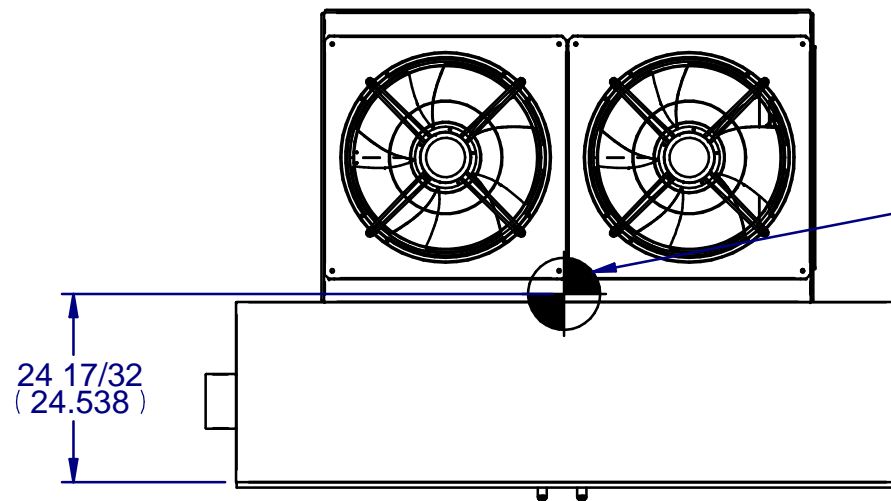
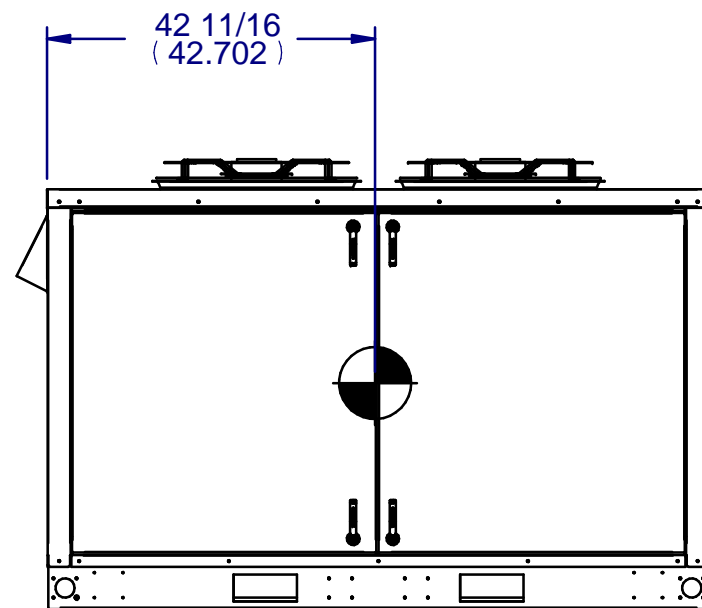
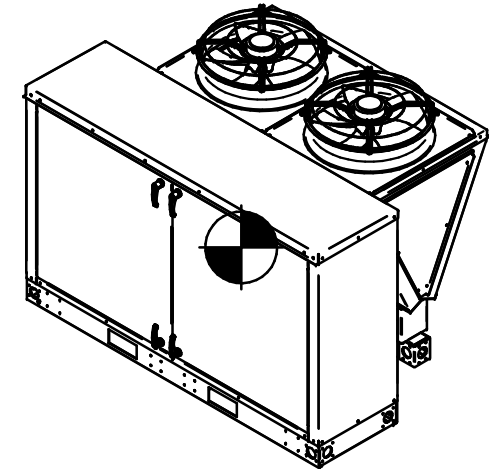


REV	DESCRIPTION	DATE	BY	CKD BY	TICKET #
-	-	-	-	-	-

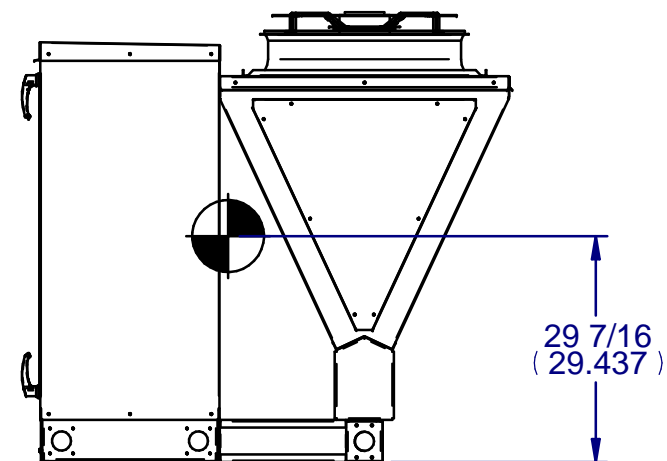


TOP VIEW


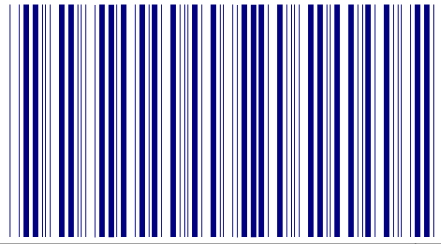
APPROXIMATE CENTER OF GRAVITY LOCATION  
(MAY SLIGHTLY VARY DEPENDING ON OPTIONS SELECTED)



FRONT VIEW



RIGHT VIEW

TITLE				<b>INSTR CENTER OF MASS ANALYSIS MC B</b>	
TICKET #:		447			
 <b>ADDISON</b> <small>www.addison-usa.com</small>					
TOLERANCES UNLESS OTHERWISE SPECIFIED					
.X = .1	HOLE = .005				
.XX = .03	< = .5				
.XXX = .031	FRACTIONS = 1/32				
DATE	CKD	APPD	PART NUMBER		
5/27/2021	JRR	GO	<b>0795I-5065</b>		
DRAWN			REV		
Michael.Michiel			A		