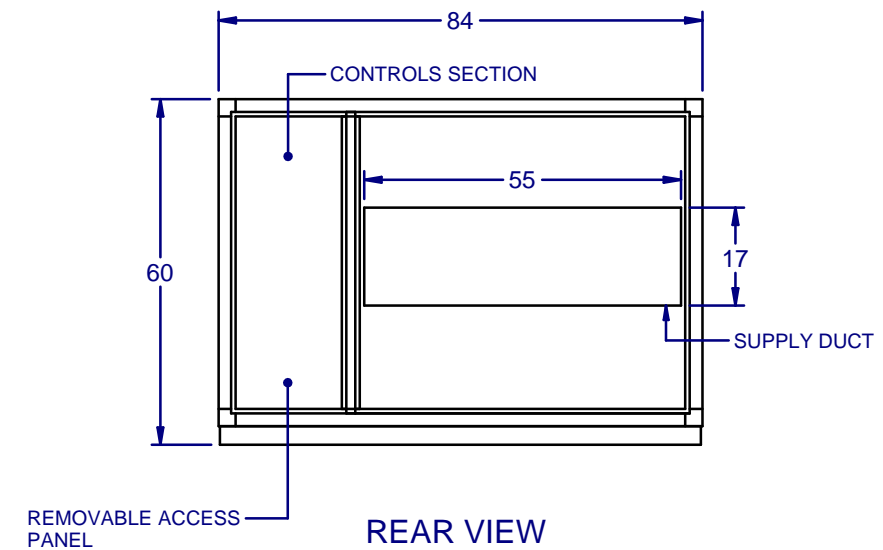
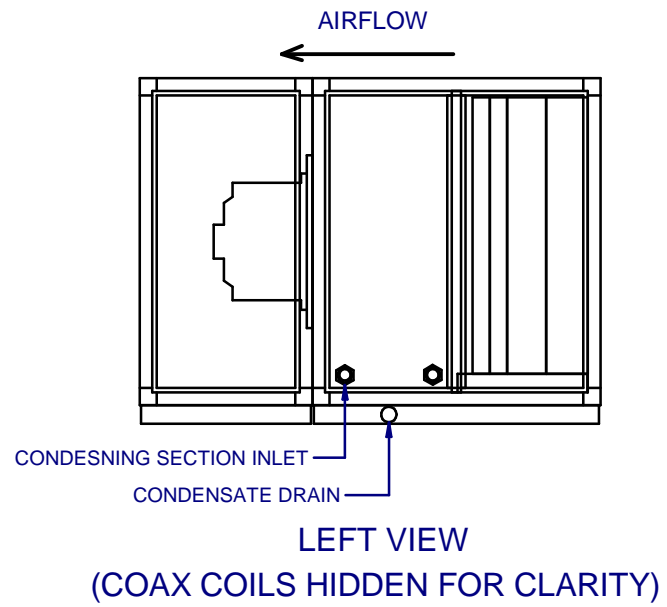
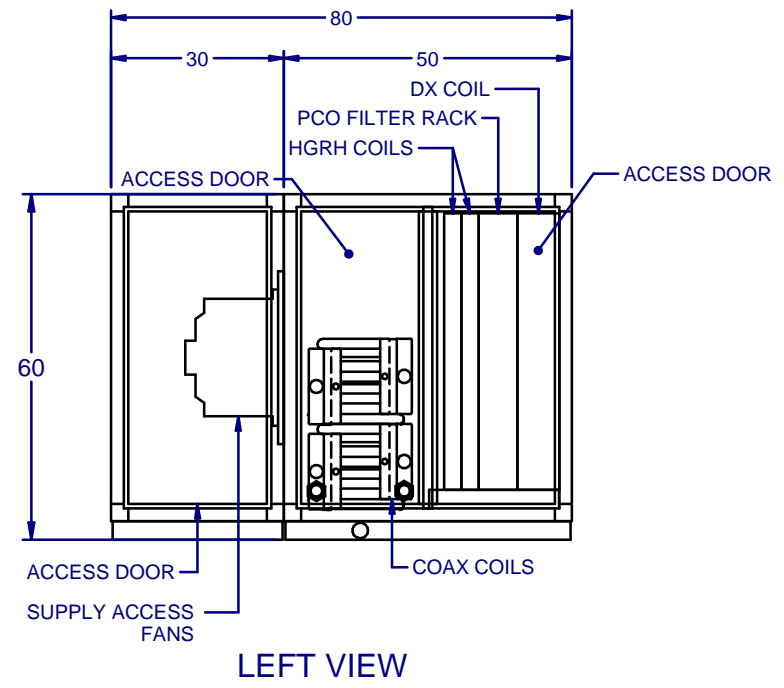
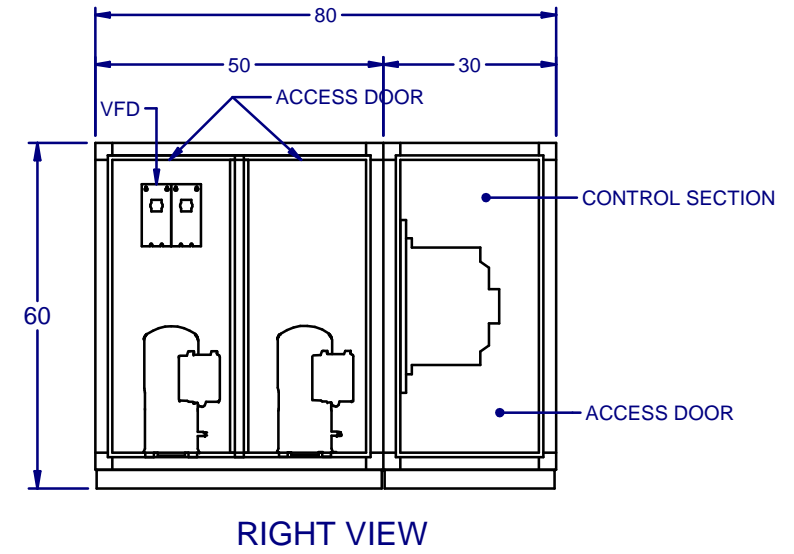
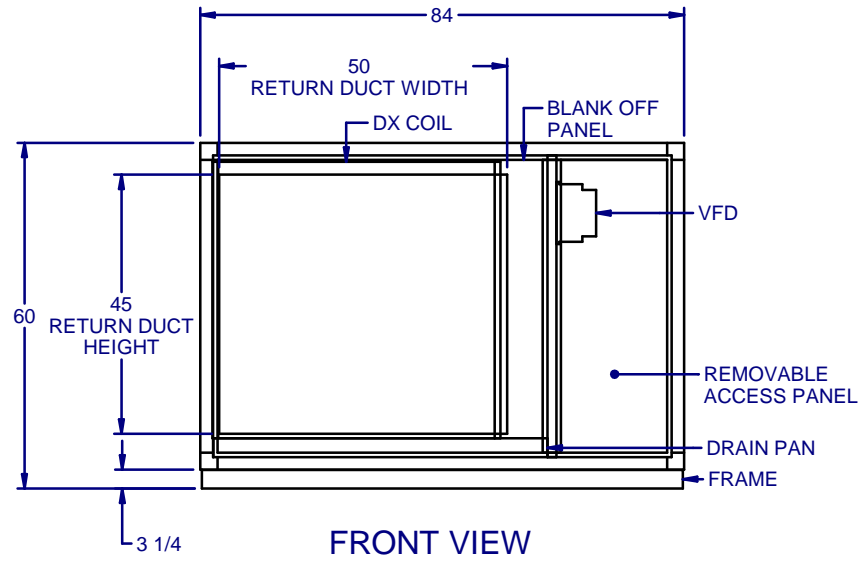
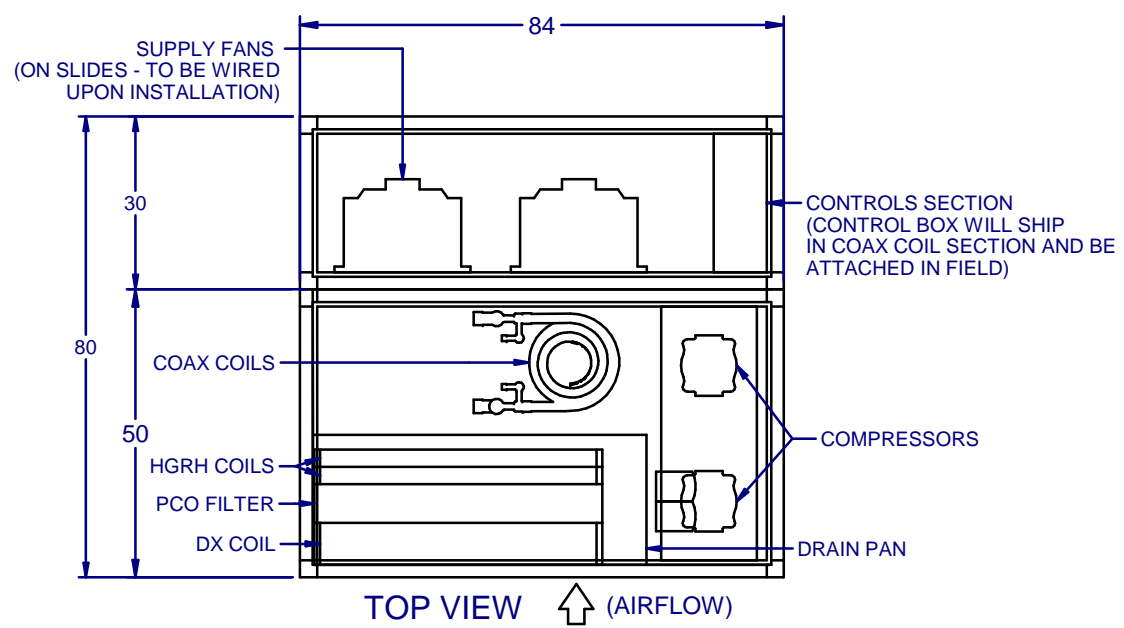


REV	DESCRIPTION	DATE	BY	CKD BY	PCN
-	INITIAL RELEASE	08/02/2021	MM	BA	-



TITLE						MI A HORIZONTAL CABINET 10T-25T		
DATE	CKD	APPD	PART #	SHEET #	REV			
8/12/2021	JRR	GO		1 OF 1	A			
DRWN		Michael.Michiel		0795I-5156				

TICKET #: -