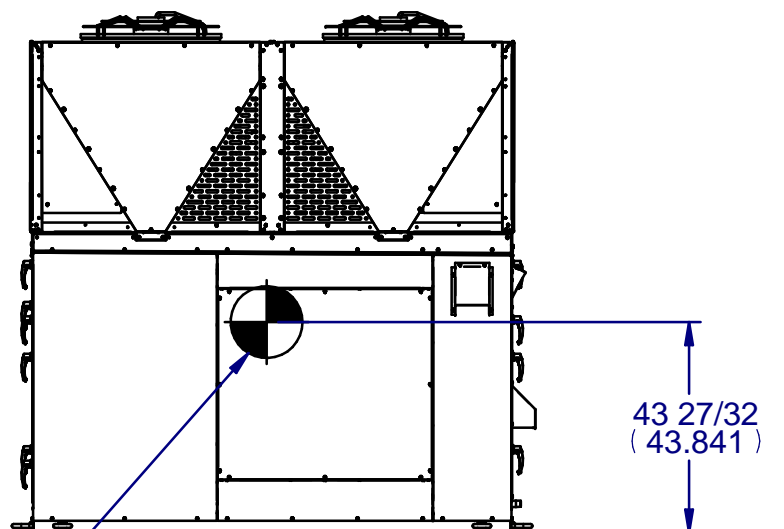
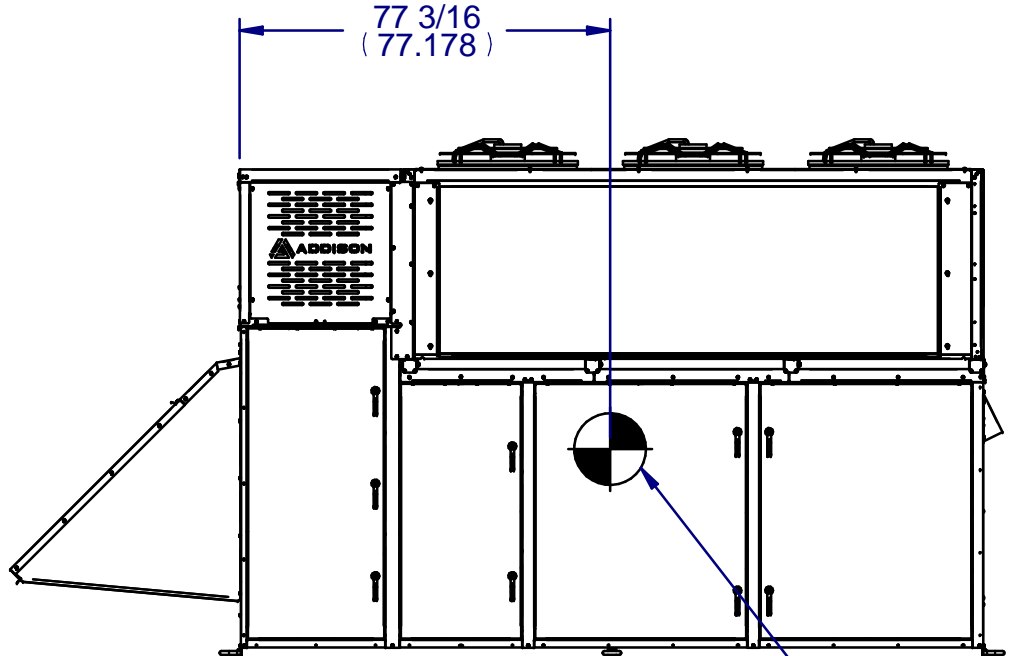
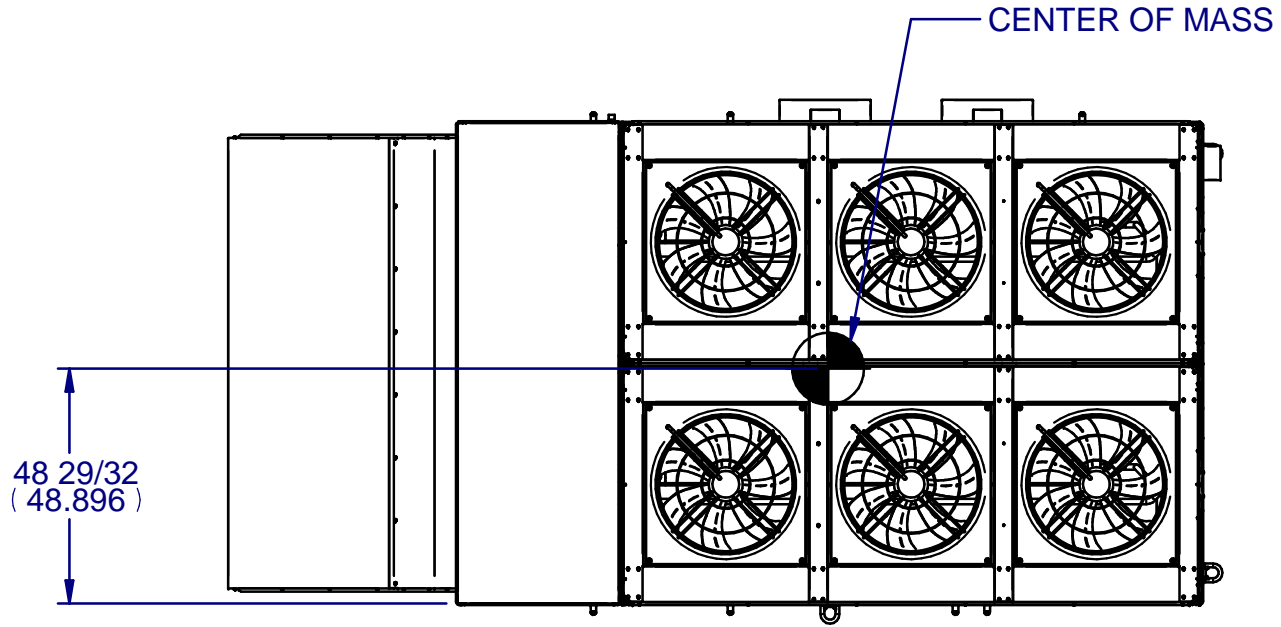

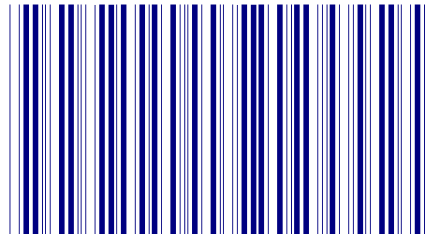


REV	DESCRIPTION	DATE	BY	CKD BY	TICKET #
-	-	-	-	-	-



CENTER OF MASS LOCATION TO BE USED AS A REFERENCE ONLY

TITLE		INSTR CNTR OF MASS PRAK 7			
TICKET #:	807				
 <small>www.addison.com</small>					
TOLERANCES UNLESS OTHERWISE SPECIFIED					
.X = .1	HOLE = .005				
.XX = .03	< = .5				
.XXX = .031	FRACTIONS = 1/32				
DATE	CKD	APPD	PART NUMBER		
9/30/2021	JRR	GO	0795I-5310		
DRAWN	Josh.Ramsey		REV		
			A		