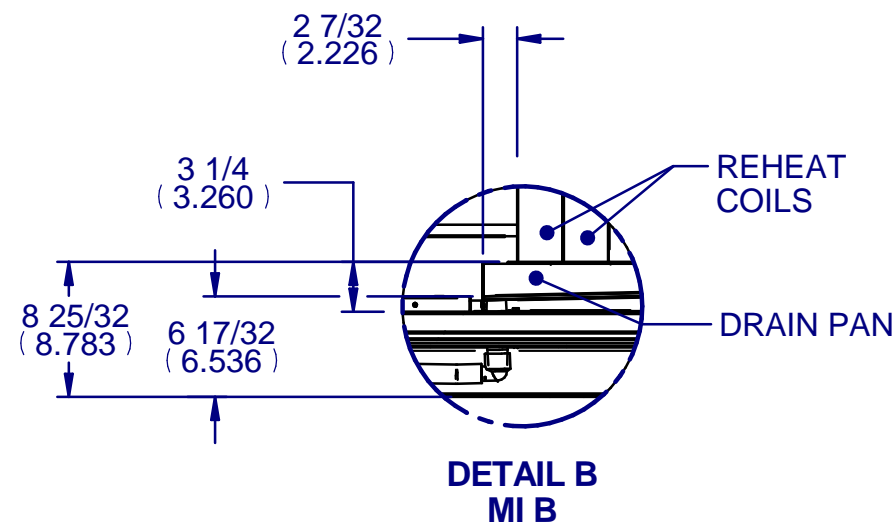
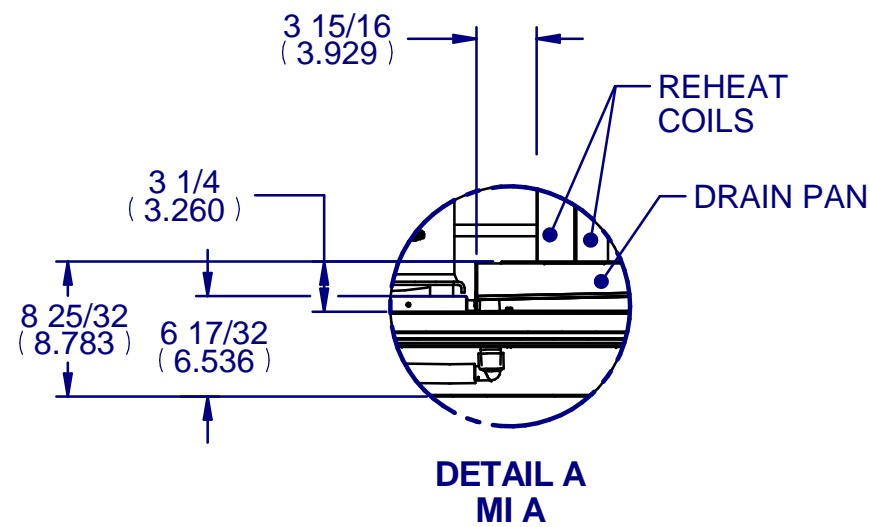
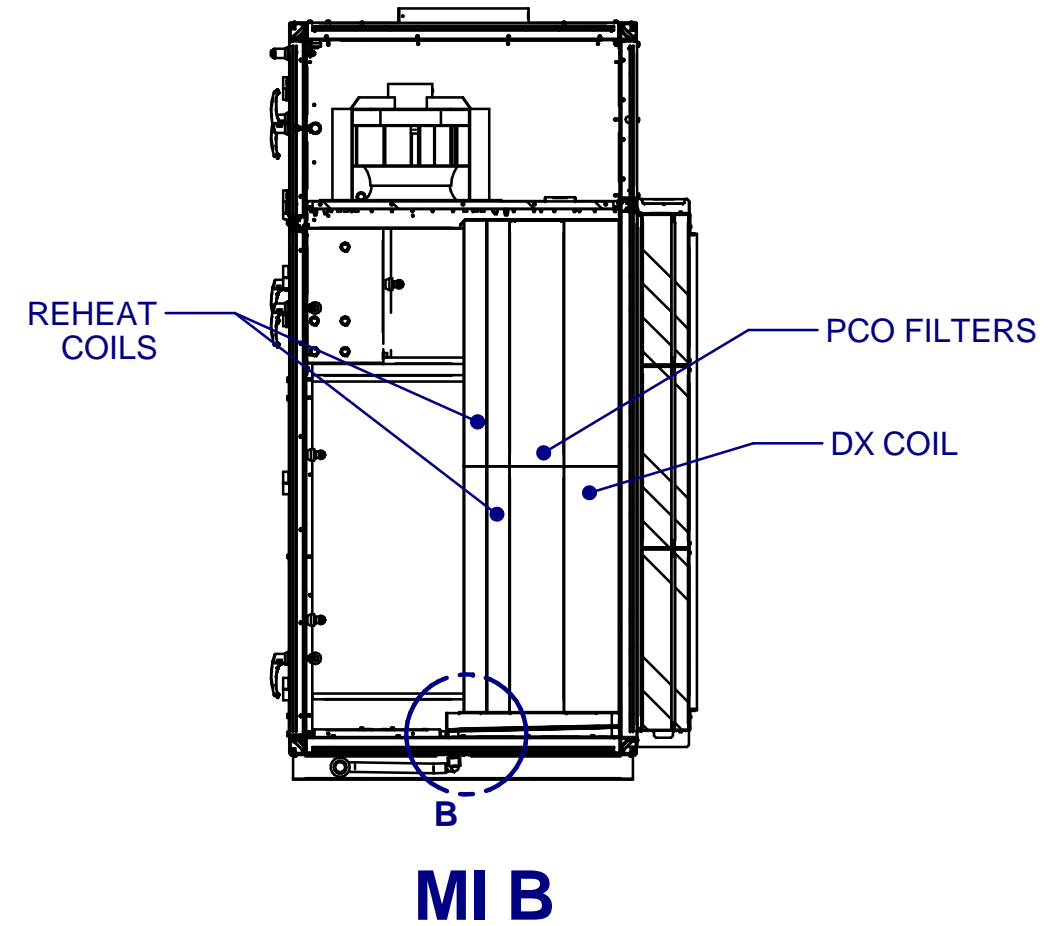
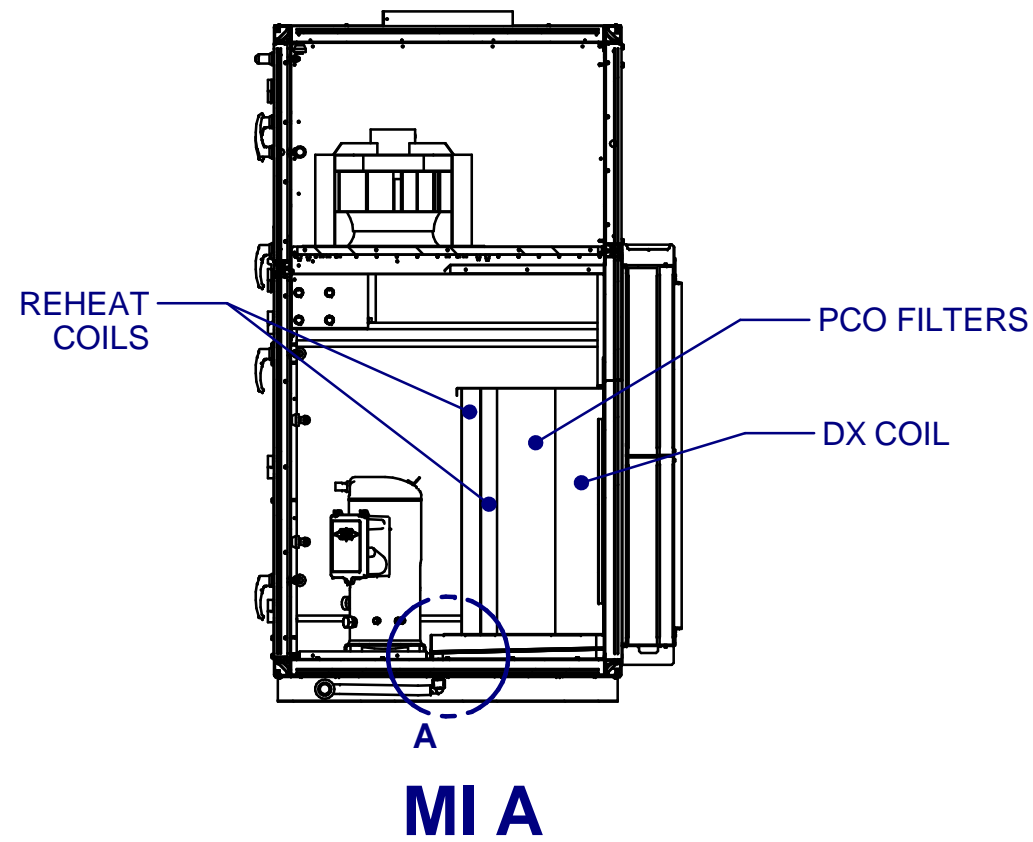

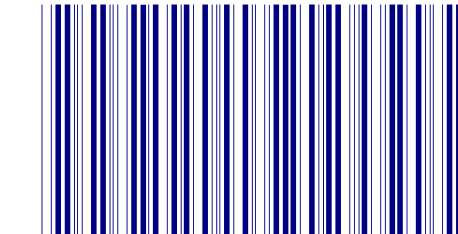


REV	DESCRIPTION	DATE	BY	CKD BY	TICKET #
-	-	-	-	-	-



TITLE INSTR CAB EVAP DRAIN PAN DISTANCE MI A/B			
TICKET #: --			
 <small>ADDISON</small> <small>www.addison.com</small>			
TOLERANCES UNLESS OTHERWISE SPECIFIED			
.X = .1	HOLE = .005		
.XX = .03	∠ = .5		
.XXX = .031	FRACTIONS = 1/32		
DATE 10/1/2021	CKD JRR	APPD GO	PART NUMBER 0795I-5315
DRAWN Josh.Ramsey			REV A