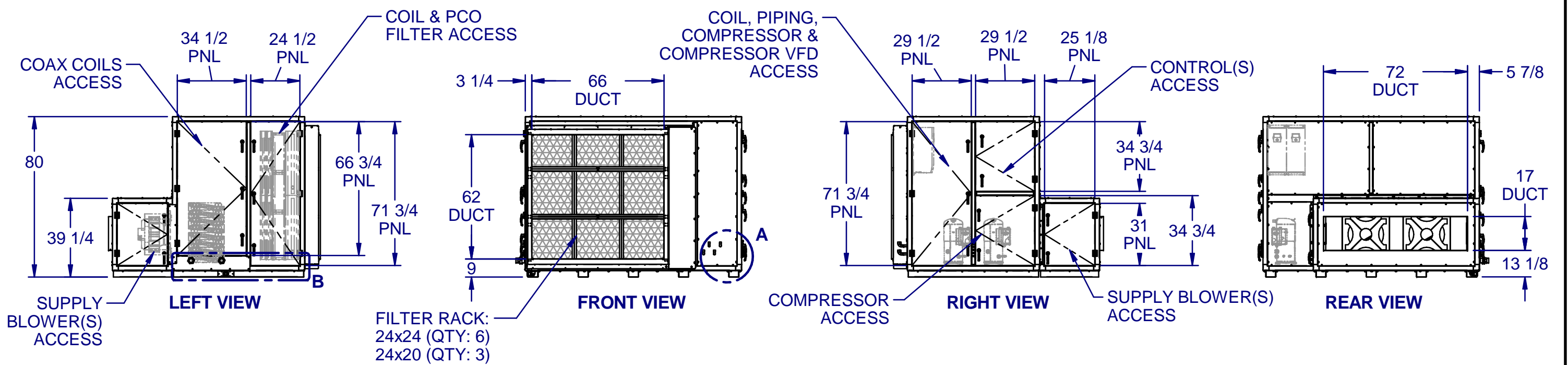
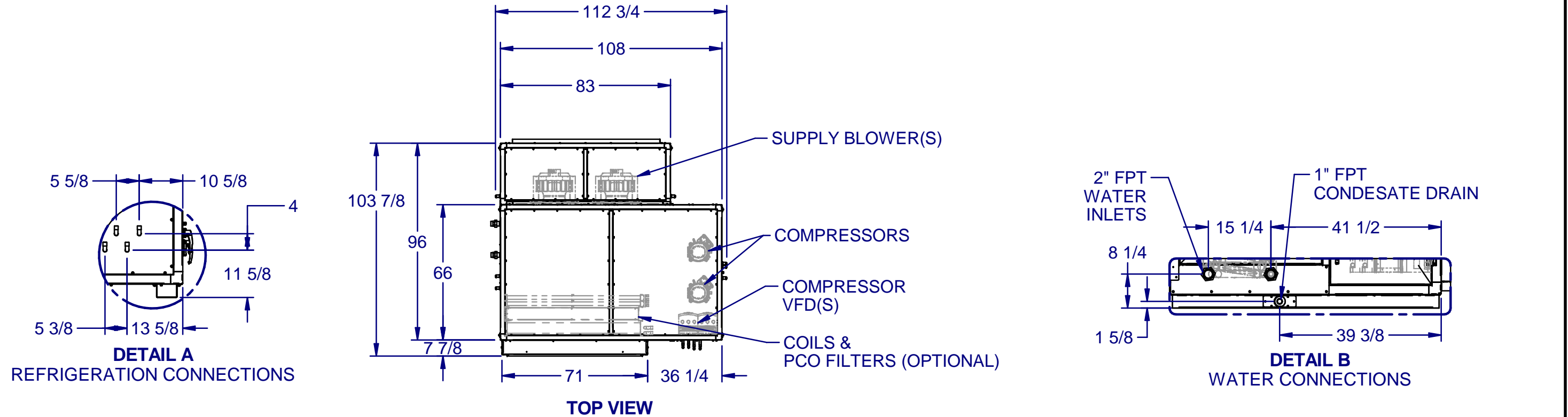

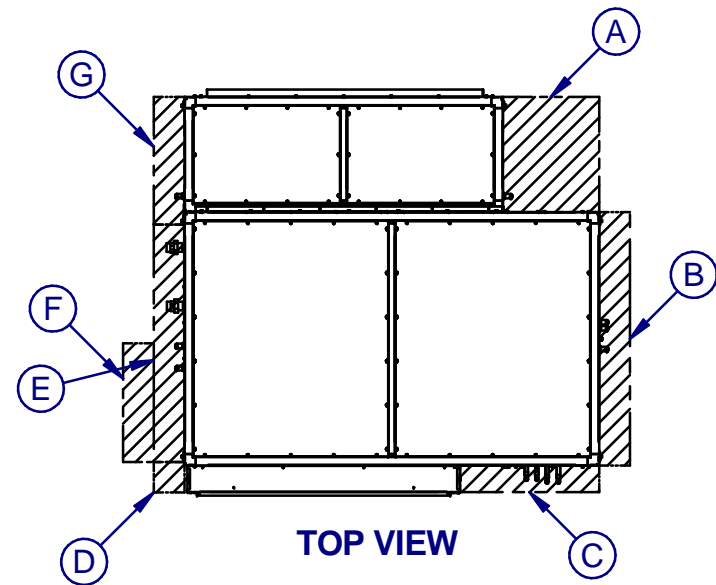


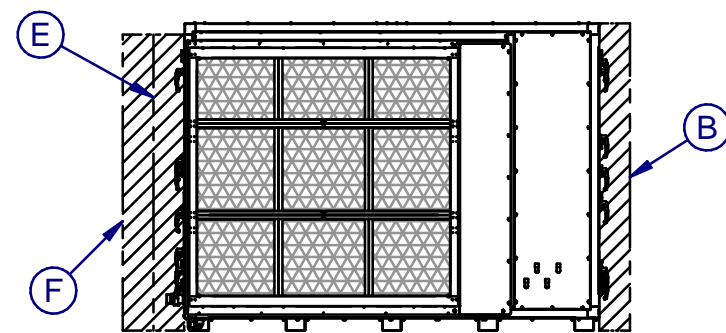
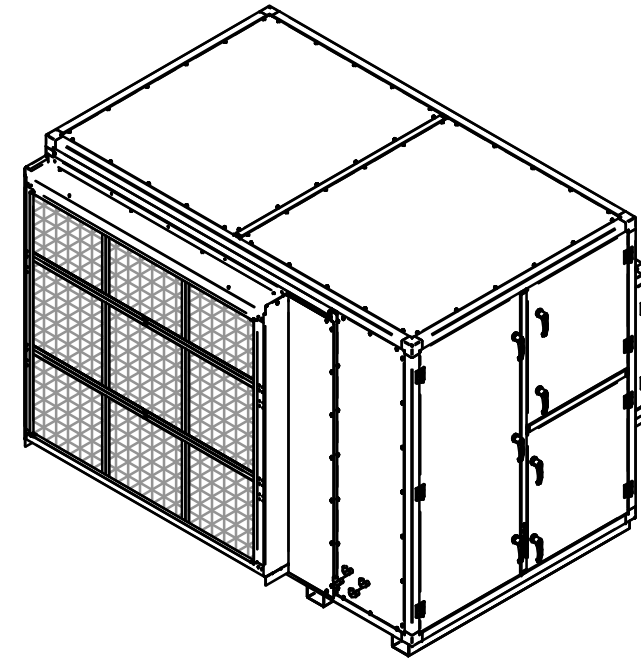
REV	DESCRIPTION	DATE	BY	CKD BY	PCN
-	-	-	-	-	-



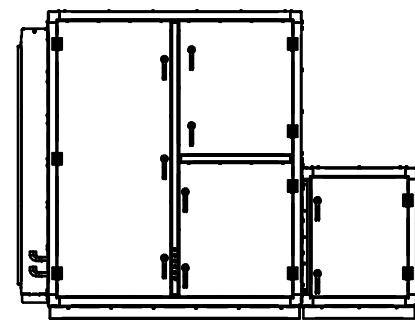
 www.addison-hvac.com	TITLE <b>MI B HORIZ CABINET 30T-45T (LH)</b>			
	DATE 2/9/2022	CKD JRR	APPD GO	PART #
TICKET #: 1083	DRWN Josh.Ramsey	07951-5488		SHEET # 1 OF 2
				REV A



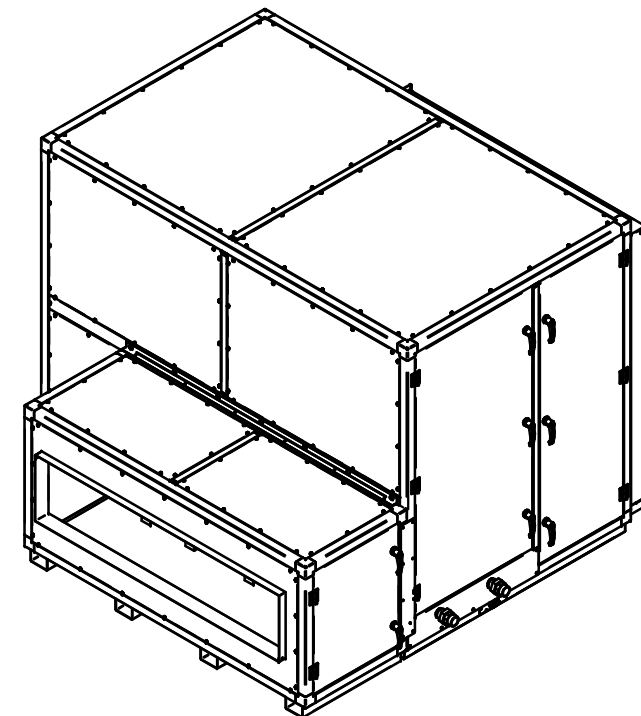
TOP VIEW



FRONT VIEW



RIGHT VIEW



UNIT CLEARANCES

AREA	DIM	DESCRIPTION	REQUIRED/SUGGESTED	NOTE
A	36	BLOWER REMOVAL	SUGGESTED	MINIMUM CLEARANCE FROM GROUNDED AND UNGROUNDED STRUCTURES.
B		COMPRESSORS, CONTROLS, DX ACCESS	REQUIRED	
C	8	PIPING CONNECTIONS		
D	36	FILTER REMOVAL	SUGGESTED	
E		COAX COIL, DX COIL, PCO FILTER ACCESS		
F	80	DX COIL & PCO FILTER REMOVAL	REQUIRED	
G	36	BLOWER REMOVAL/ACCESS	SUGGESTED	

 www.addison-hvac.com	TITLE: <b>MI B HORIZ CABINET 30T-45T (LH)</b>				
	DATE: <b>2/9/2022</b>	CKD: <b>JRR</b>	APPD: <b>GO</b>	PART #	SHEET #
TICKET #: <b>1083</b>	DRWN: <b>Josh.Ramsey</b>	<b>07951-5488</b>		<b>2</b> OF <b>2</b>	<b>A</b>