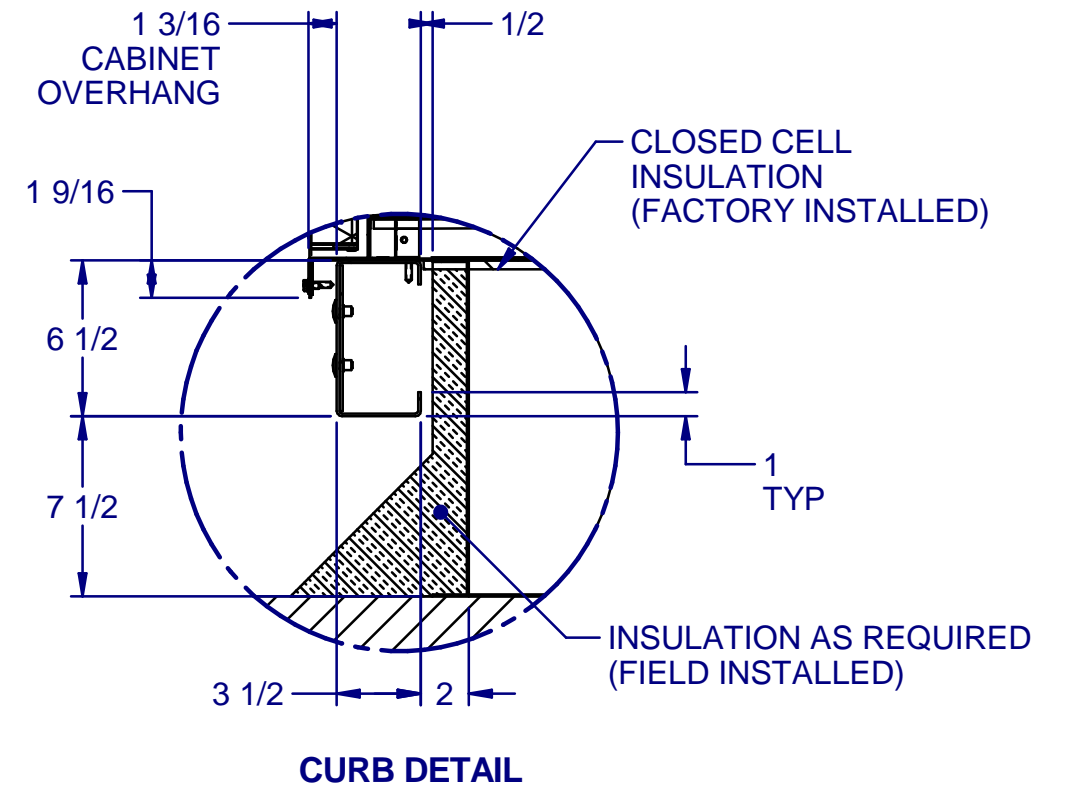
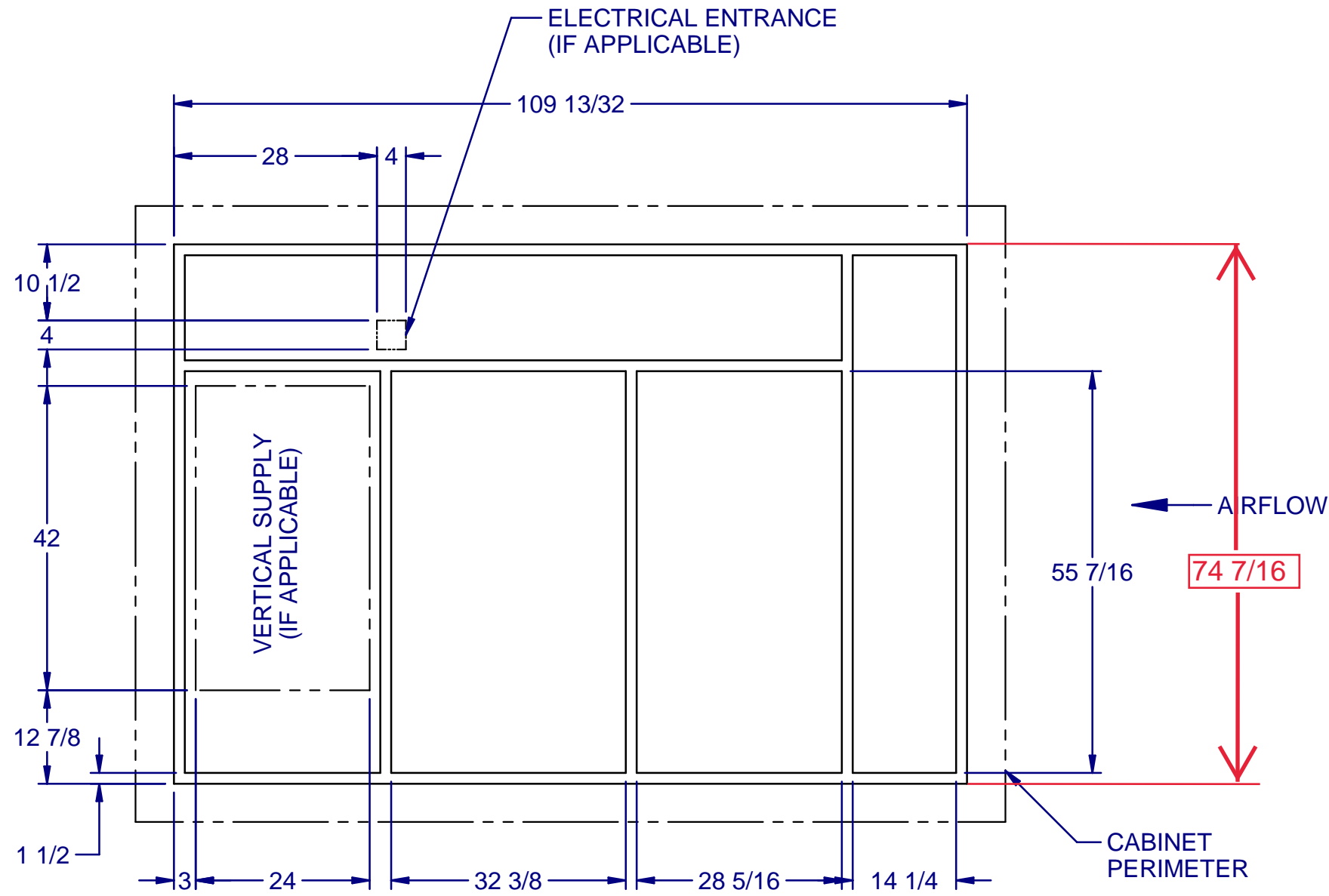


REV	DESCRIPTION	DATE	BY	CKD BY	TICKET #
-	-	-	-	-	-



TITLE		<b>CURB *RAK NO RETURN (20t-45t) S5</b>	
TICKET #:		253	
TOLERANCES UNLESS OTHERWISE SPECIFIED			
.X = .1	HOLE = .005		
.XX = .03	< = .5		
.XXX = .031	FRACTIONS = 1/32	PART NUMBER	
DATE	CKD	APPD	REV
5/9/2019	JRR	GO	A
DRAWN		PART NUMBER	
Josh.Ramsey		<b>0851P-2003</b>	