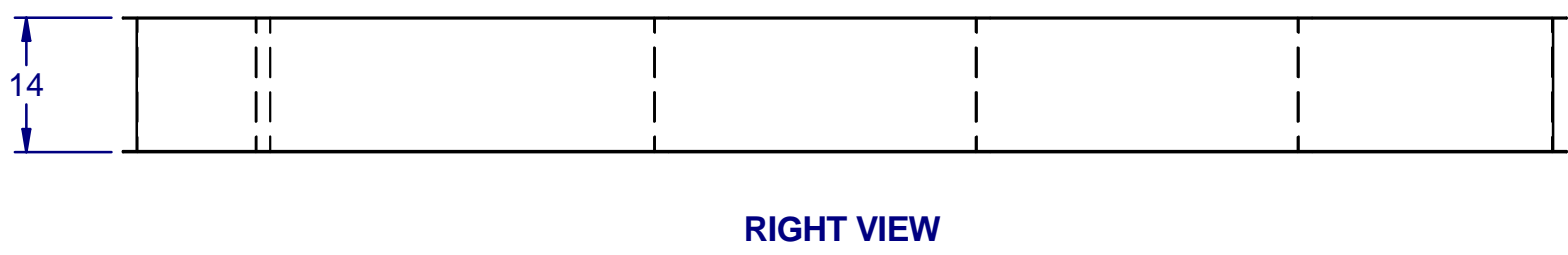
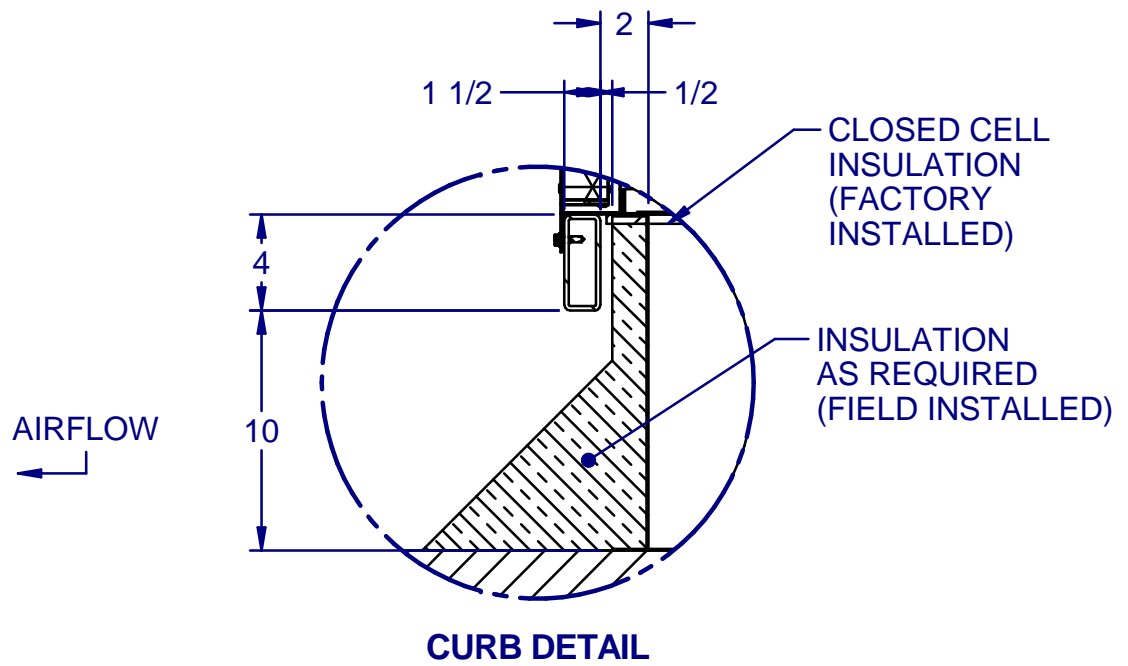
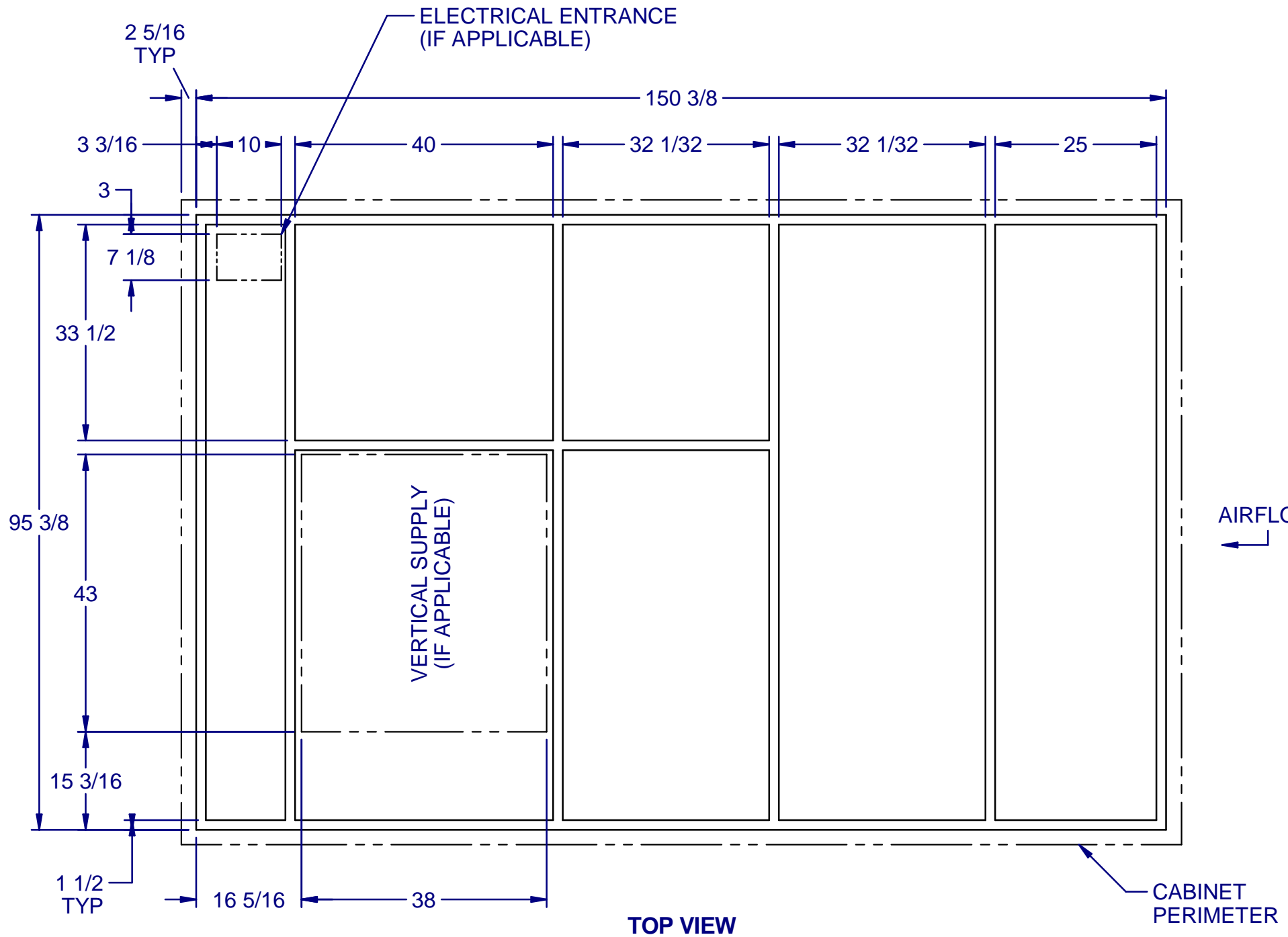


REV	DESCRIPTION	DATE	BY	CKD BY	TICKET #
-	-	-	-	-	-



TITLE		CURB *RAK NO RETURN (45t-90t) S7		
TICKET #:		1803		
TOLERANCES UNLESS OTHERWISE SPECIFIED				
.X = .1	HOLE = .005			
.XX = .03	FRACTIONS = 1/32			
.XXX = .031		DATE	CKD	APPD
9/4/2019	JRR	GO	PART NUMBER	
DRAWN		0851P-2013		REV
Josh.Ramsey				A