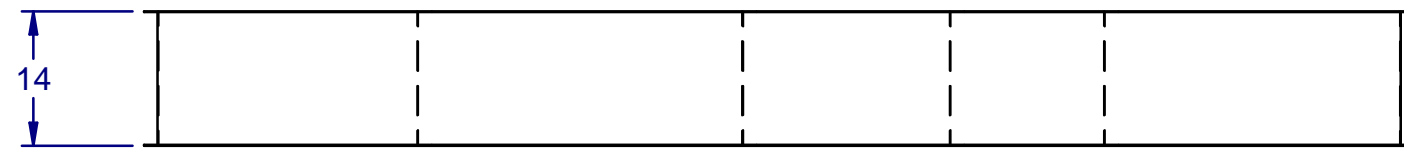
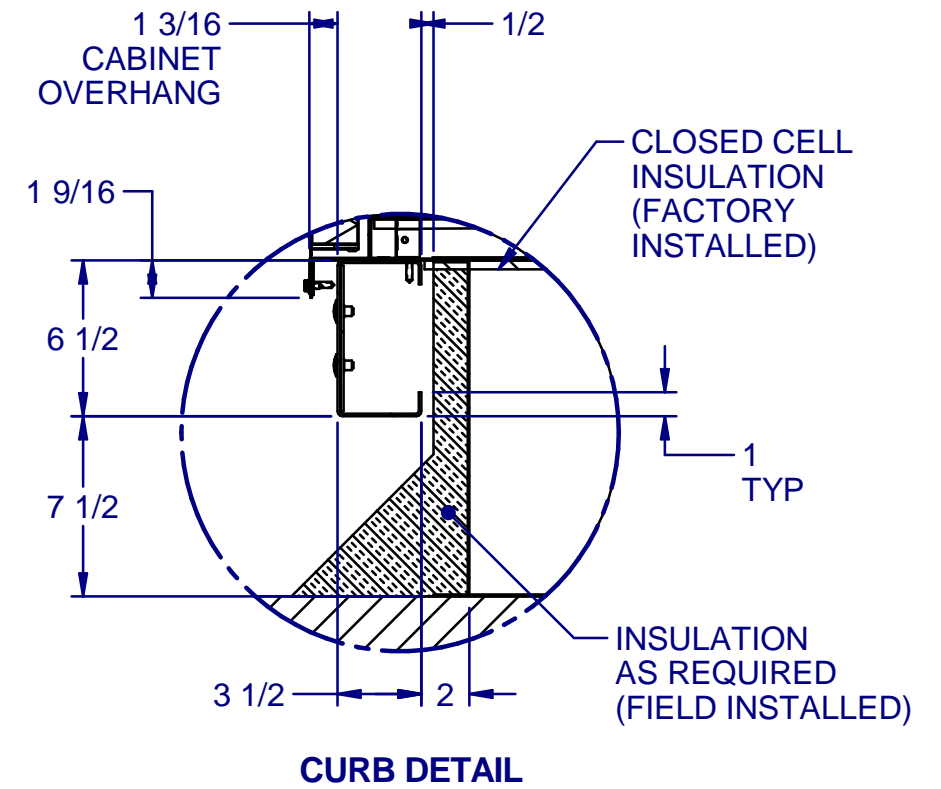
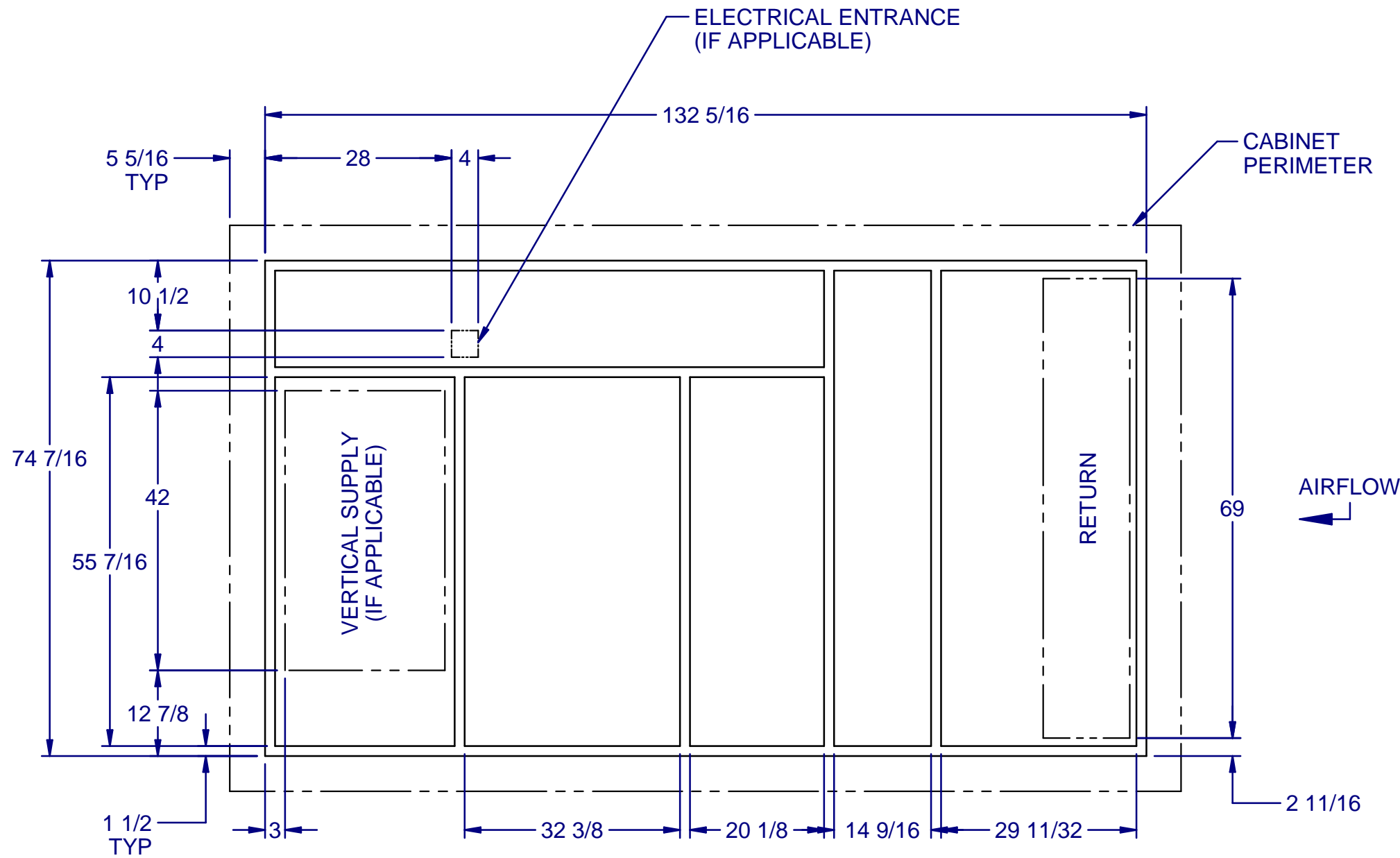



REV	DESCRIPTION	DATE	BY	CKD BY	TICKET #
-	-	-	-	-	-



TITLE																			
CURB *RAK/*RMK/*RRK WITH RETURN (20t-45t) S5																			
TICKET #:		253																	
																			
				<table border="1"> <thead> <tr> <th colspan="4">TOLERANCES UNLESS OTHERWISE SPECIFIED</th> </tr> </thead> <tbody> <tr> <td>.X = .1</td> <td>HOLE = .005</td> <td colspan="2"></td> </tr> <tr> <td>.XX = .03</td> <td>< = .5</td> <td colspan="2"></td> </tr> <tr> <td>.XXX = .031</td> <td>FRACTIONS = 1/32</td> <td colspan="2"></td> </tr> </tbody> </table>				TOLERANCES UNLESS OTHERWISE SPECIFIED				.X = .1	HOLE = .005			.XX = .03	< = .5		
TOLERANCES UNLESS OTHERWISE SPECIFIED																			
.X = .1	HOLE = .005																		
.XX = .03	< = .5																		
.XXX = .031	FRACTIONS = 1/32																		
DATE	CKD	APPD	PART NUMBER																
1/26/2021	JRR	GO	0851P-2014																
DRAWN		REV																	
Josh.Ramsey		A																	