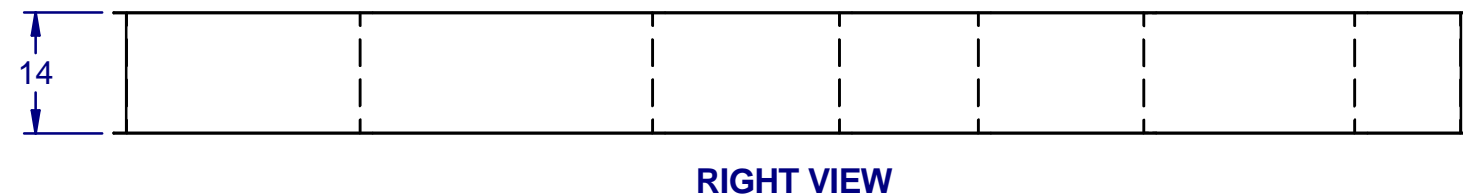
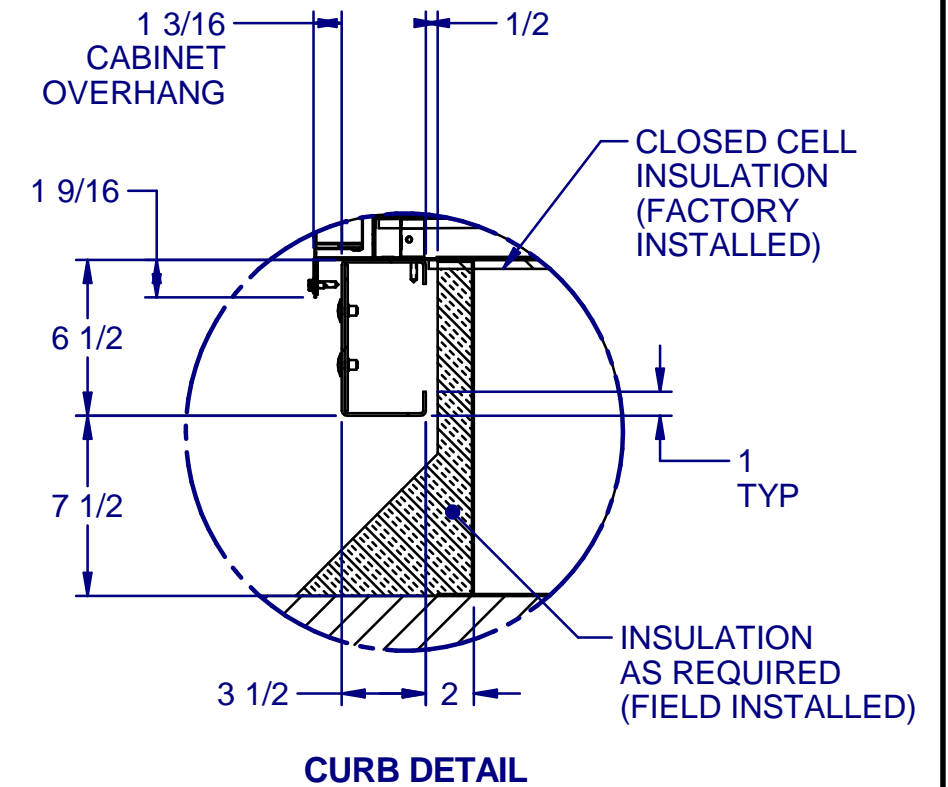
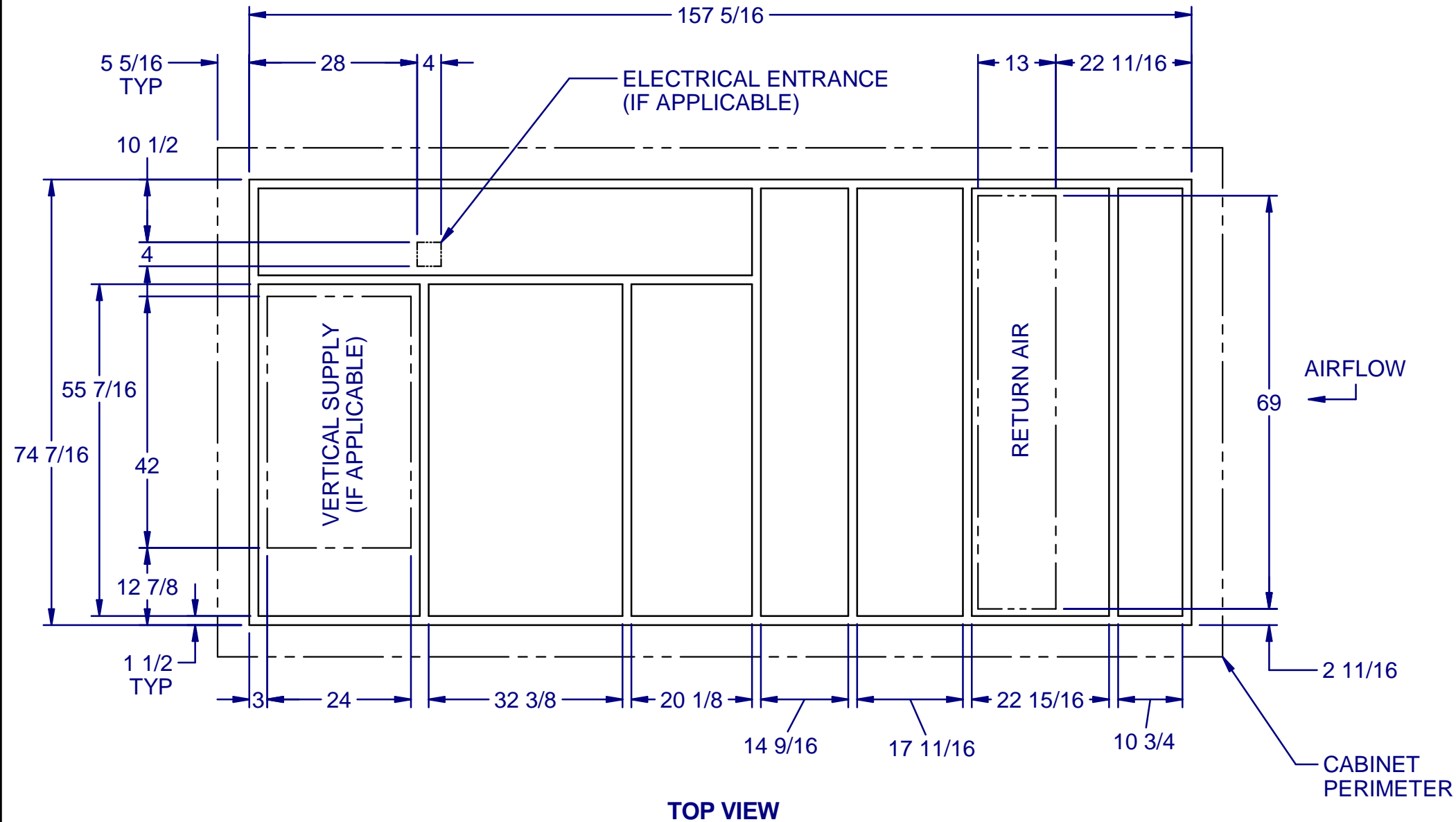

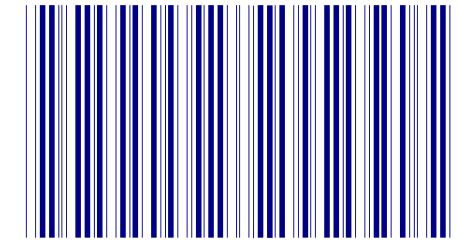


REV	DESCRIPTION	DATE	BY	CKD BY	TICKET #
-	-	-	-	-	-



TITLE CURB *REK/*RMK/*RRK WITH ECW (20t-45t) S5			
TICKET #:		253	
 ADDISON <small>www.addison.com</small>			
TOLERANCES UNLESS OTHERWISE SPECIFIED			
.X = .1	HOLE = .005		
.XX = .03	< = .5		
.XXX = .031	FRACTIONS = 1/32		
DATE 4/21/2021	CKD JRR	APPD GO	PART NUMBER 0851P-2015
DRAWN Josh.Ramsey			REV A