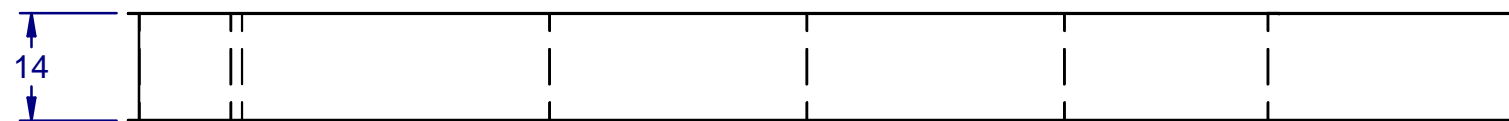
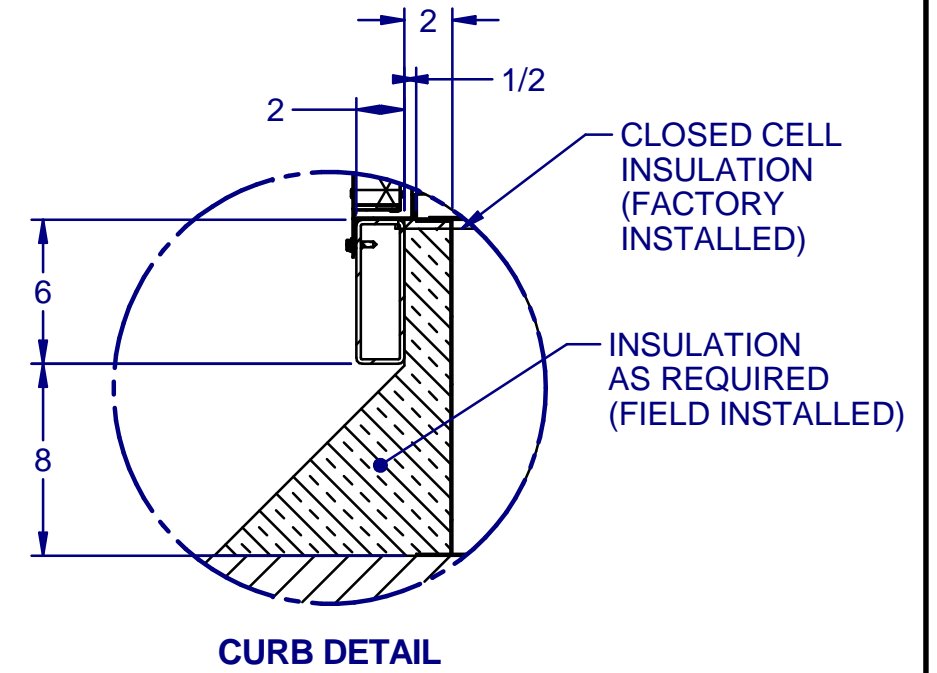
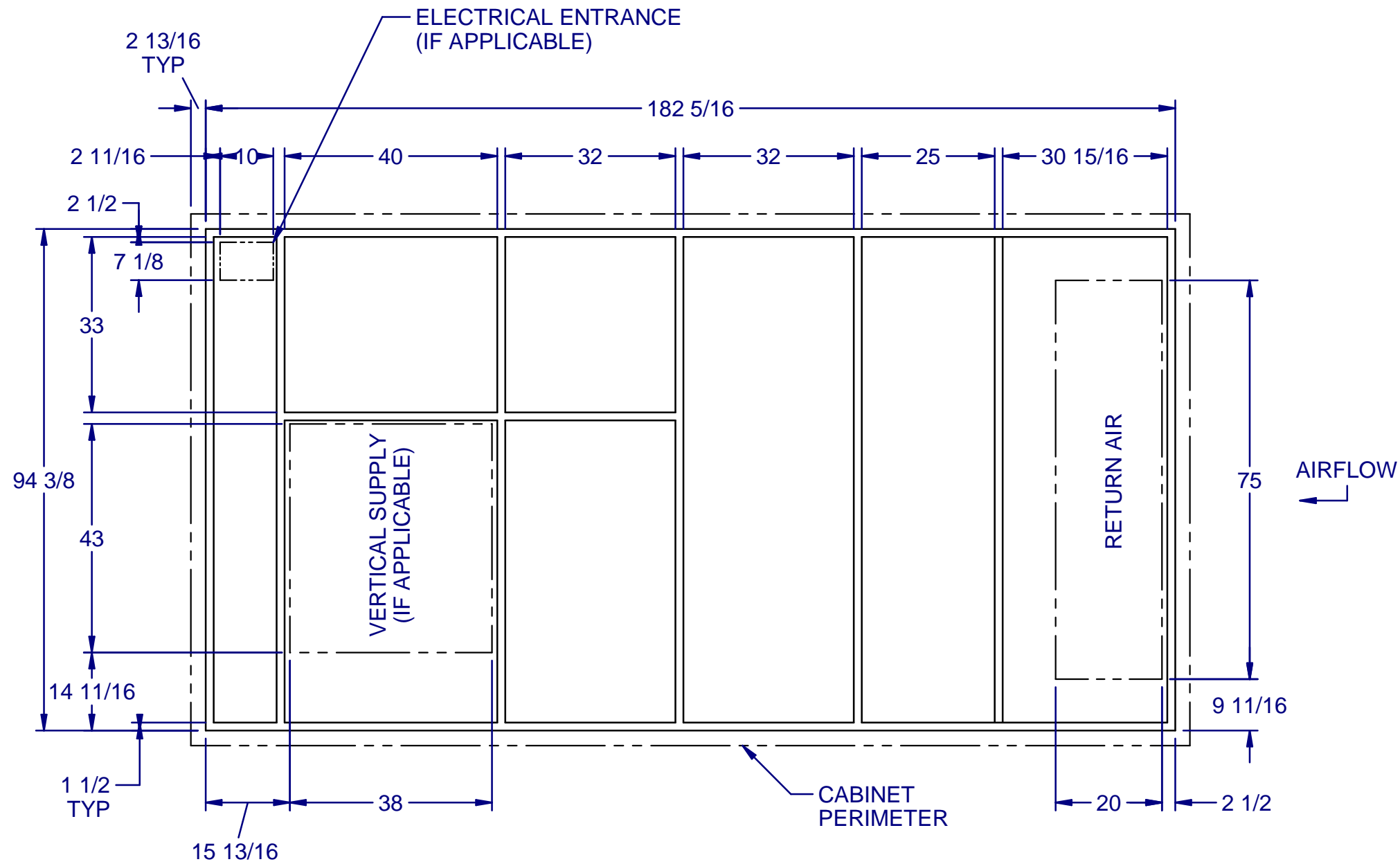


REV	DESCRIPTION	DATE	BY	CKD BY	TICKET #
-	-	-	-	-	-



TITLE CURB *RAK*/RMK*/RRK WITH RETURN (45t-90t) S7					
TICKET #:		253			
TOLERANCES UNLESS OTHERWISE SPECIFIED					
.X = .1	HOLE = .005	PART NUMBER 0851P-2017			
.XX = .03	FRACTIONS = 1/32				
.XXX = .031					
DATE 4/22/2021	CKD JRR	APPD GO	REV A		
DRAWN Josh.Ramsey					