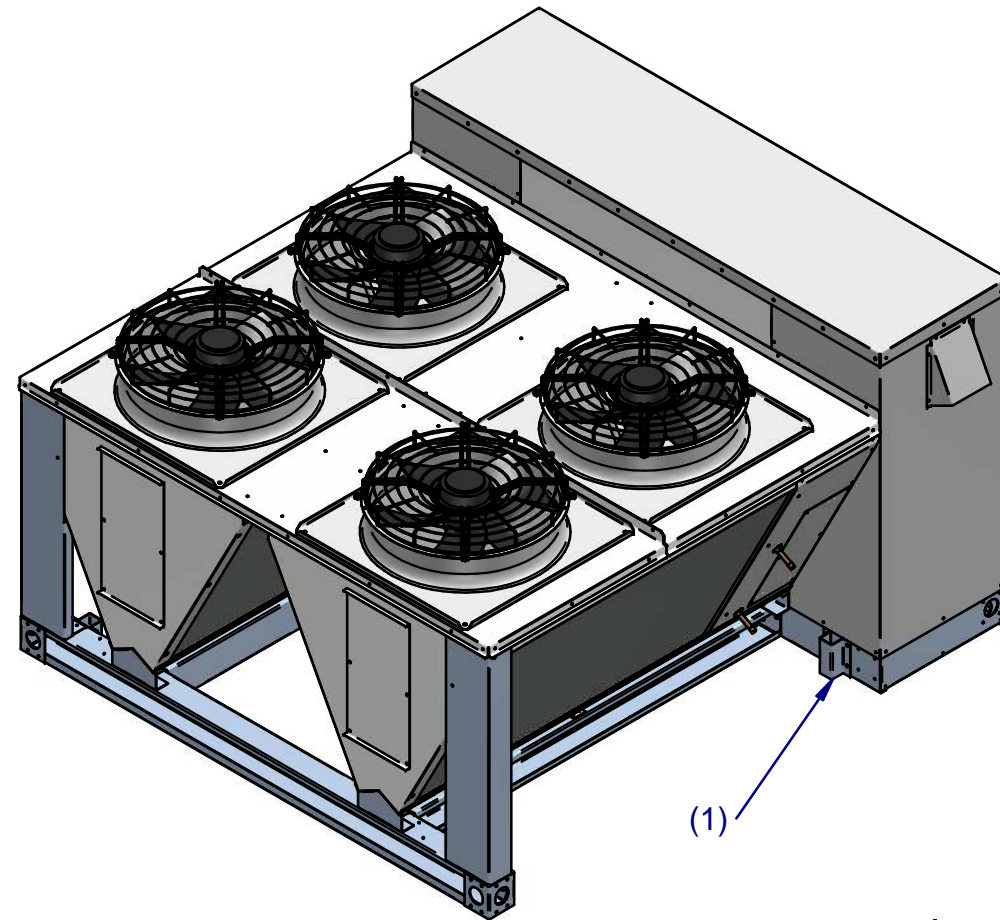
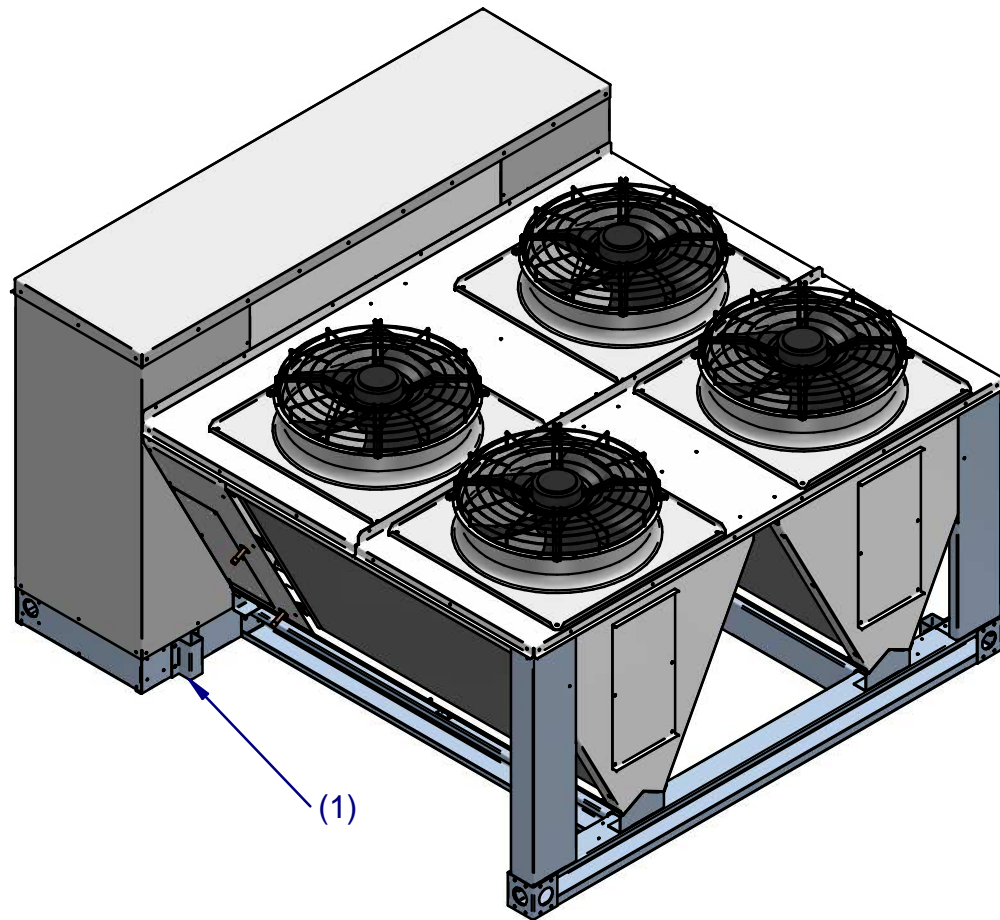
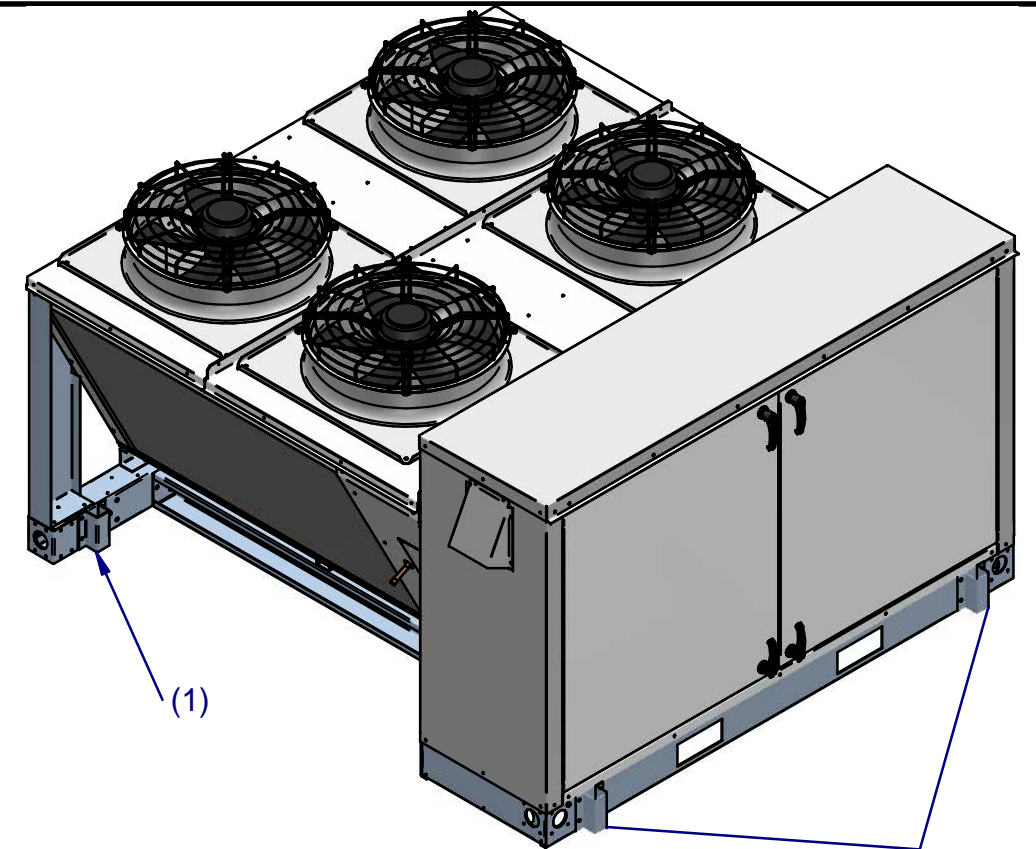
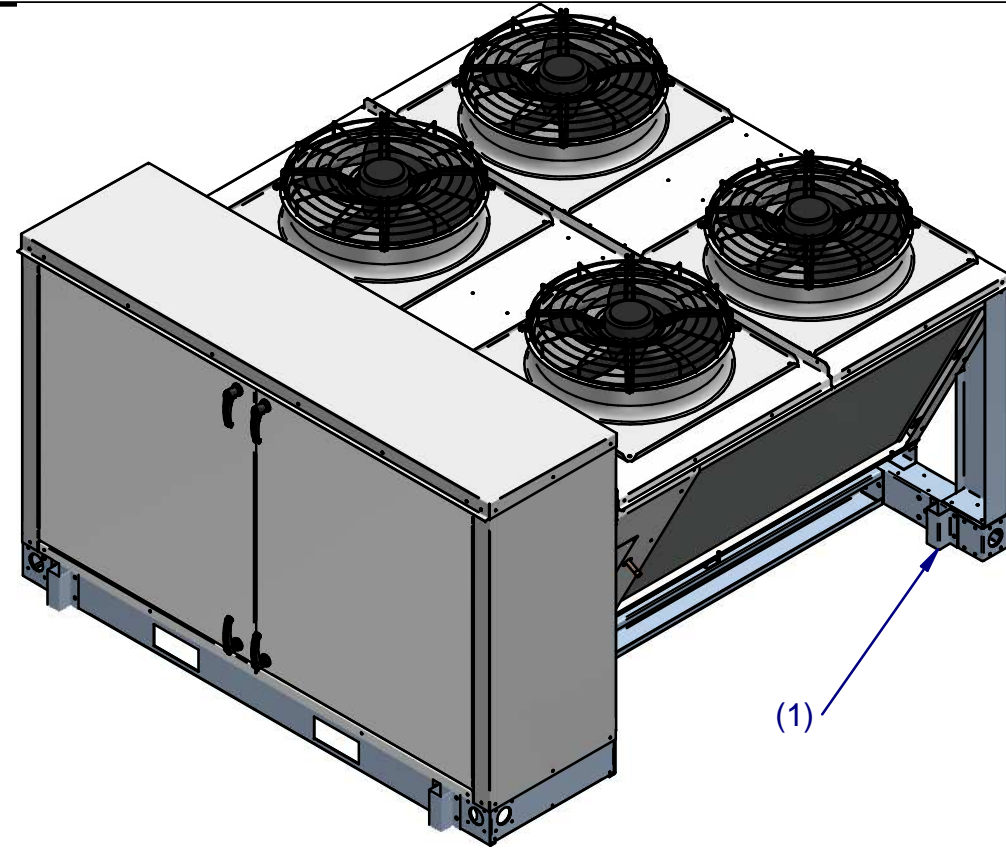

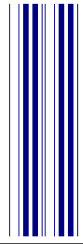


ISOLATOR RECOMMENDED LOCATION



 ADDISON <small>www.addison.com</small>		
TOLERANCES UNLESS OTHERWISE SPECIFIED		
.X = .1	HOLE = .005	
.XX = .03	< = .5	
.XXX = .031	FRACTIONS = 1/32	
DATE 4/17/2020	CKD DW	APPD GO
DRAWN david.piaggio		

	PART NUMBER
	REV