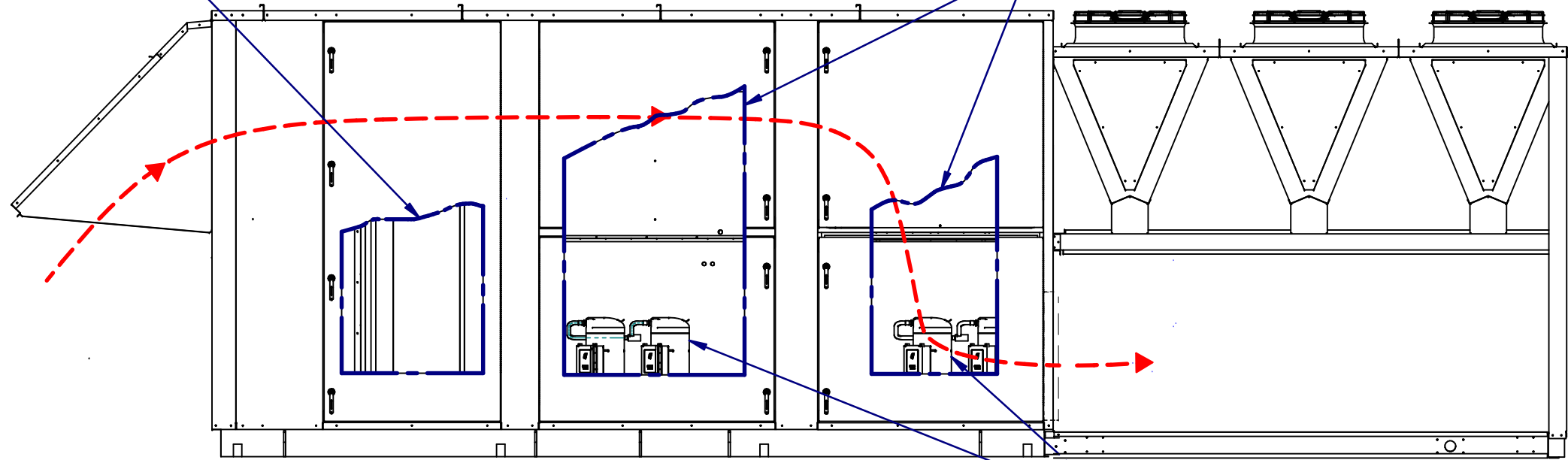


100% OUTSIDE AIR

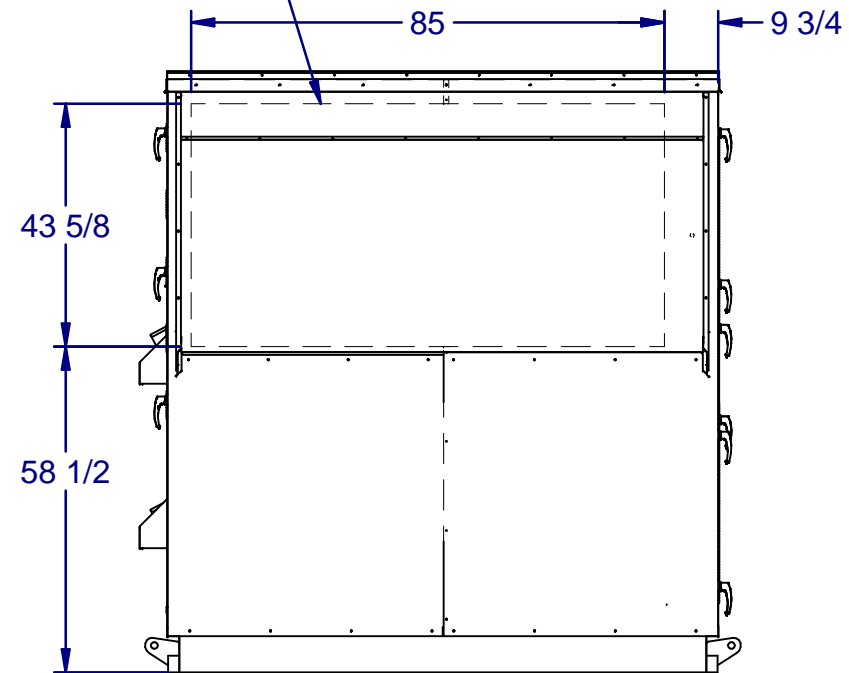
COIL COMPARTMENT & FILTER ACCESS

CONTROL PANELS

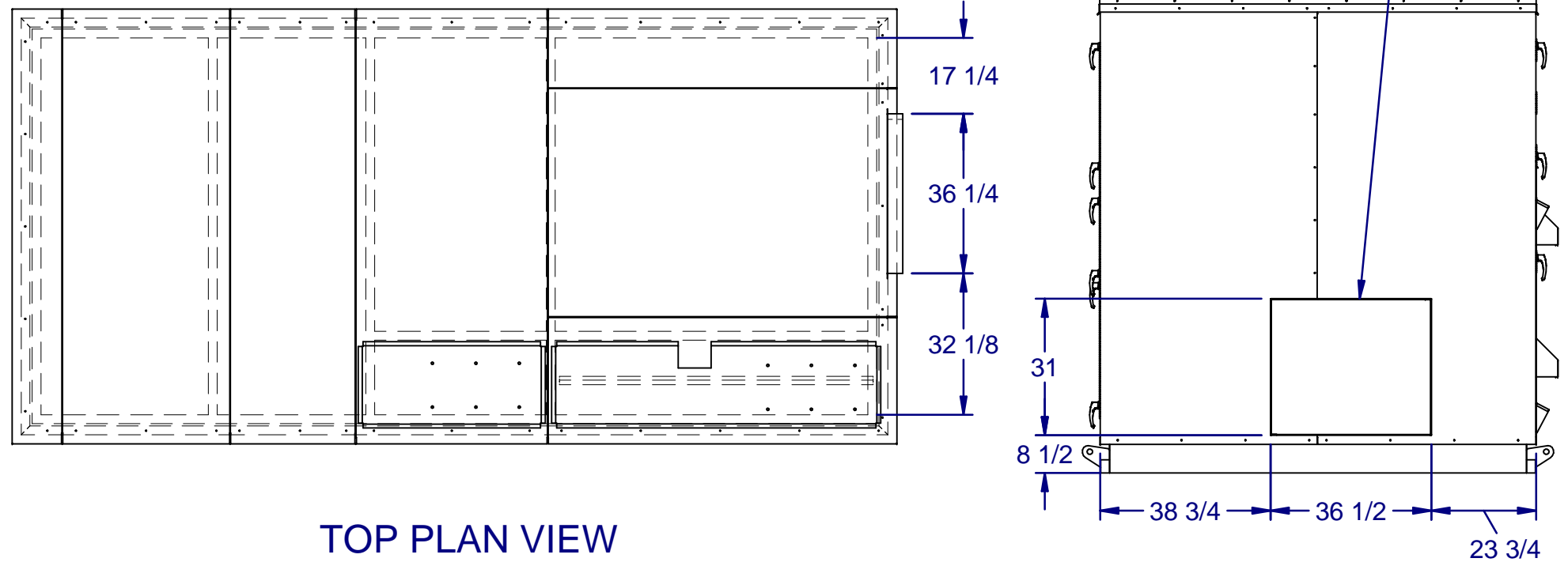


COMPRESSORS

OUTSIDE AIR INTAKE



SUPPLY AIR



TOP PLAN VIEW
CONDENSING SIDE
NOT SHOWN

DRAWING NUMBER: 05041-2693-4	12/21/2015
TITLE: PR E8XL CAB NO EXH HOR	1 OF 1