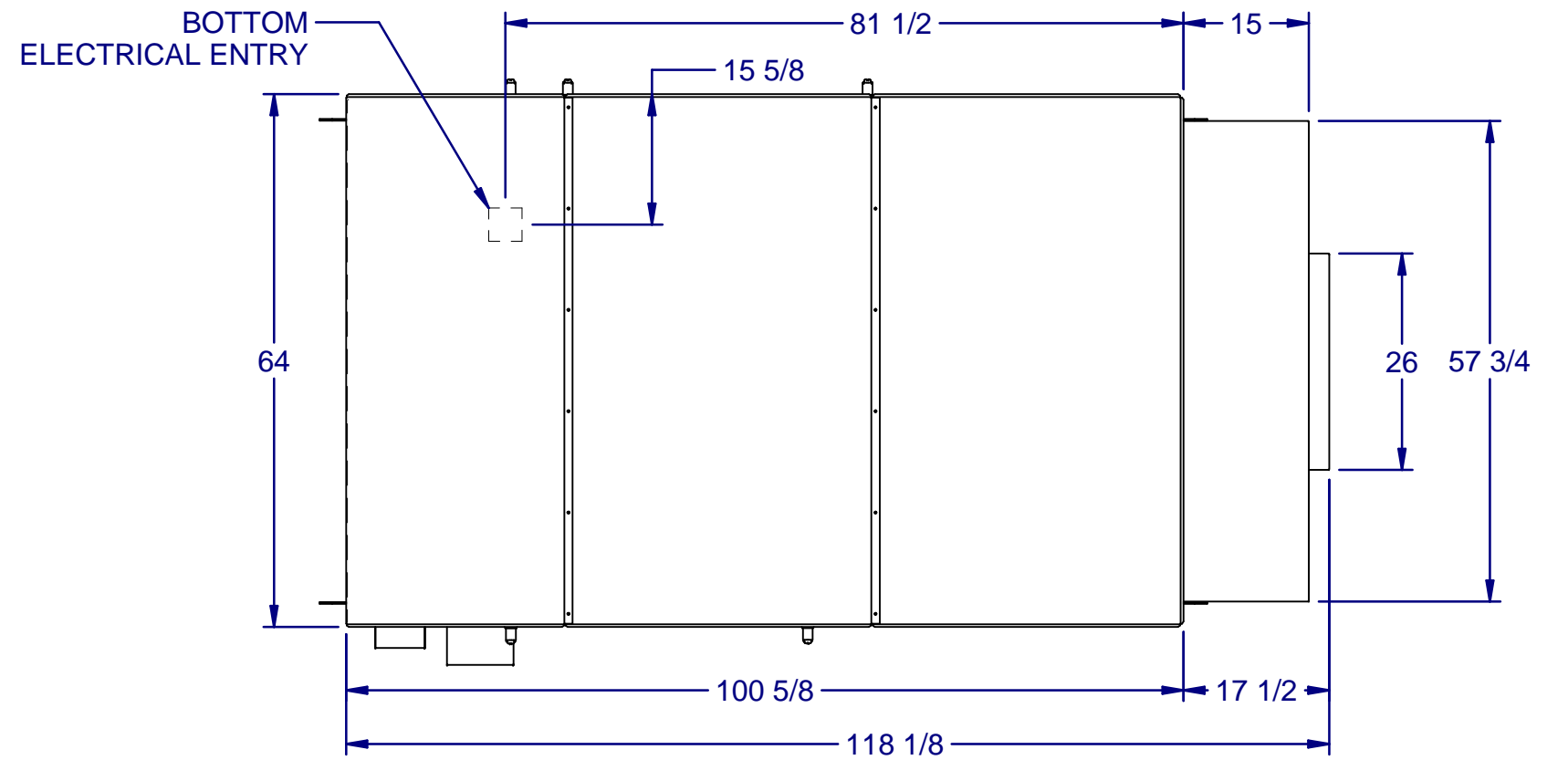
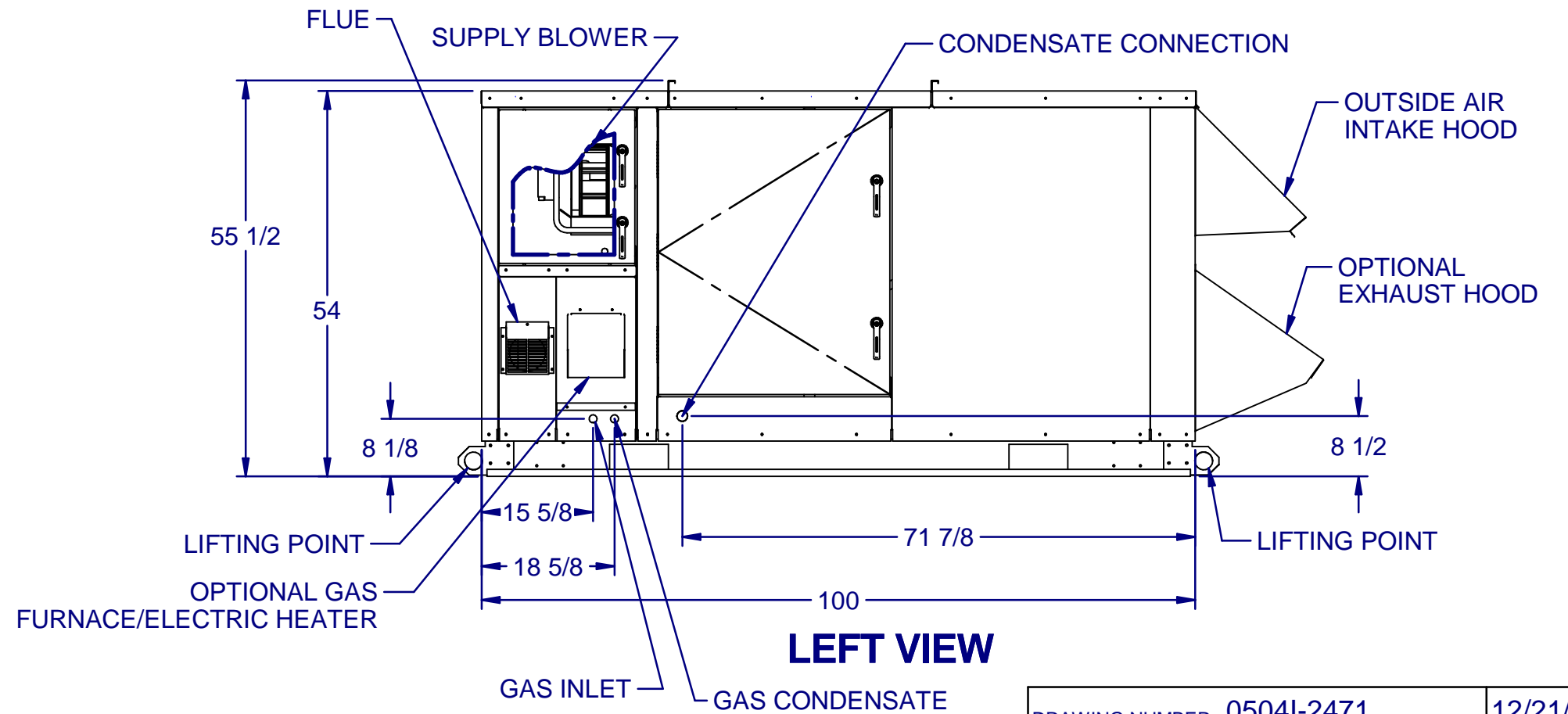


OPTIONAL DISCONNECT LOCATION



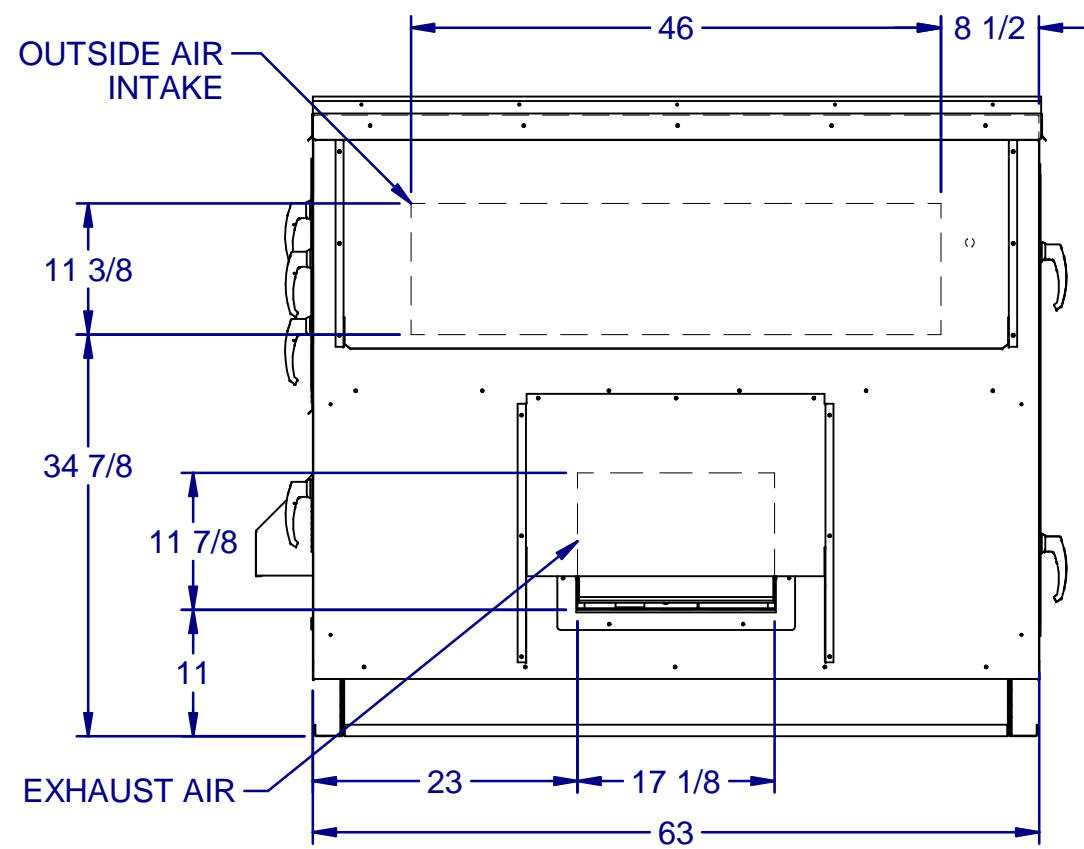
**TOP VIEW**



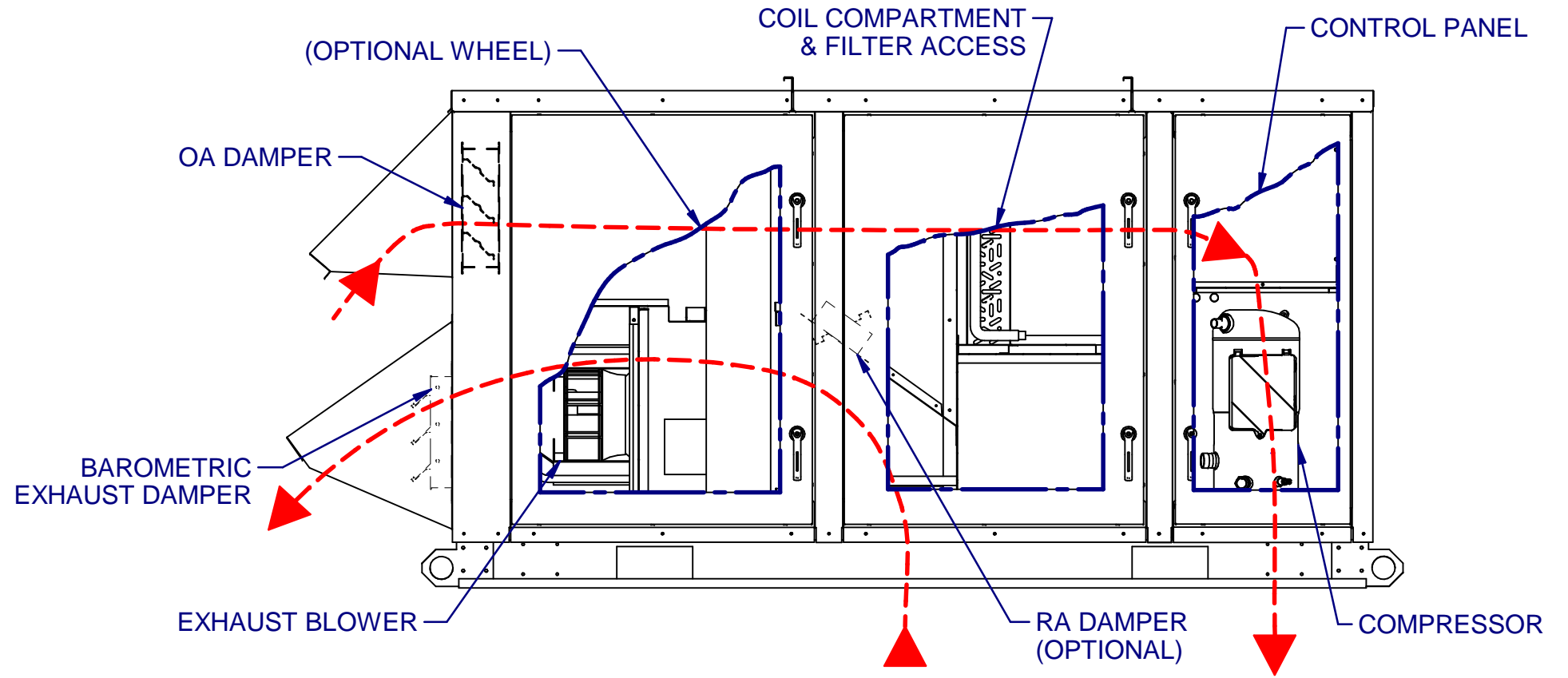
**LEFT VIEW**

COND. CONN.	GAS COND. CONN.	GAS INLET CONN.	CWC CONN.	HWC CONN.
3/4" Ø SLIP CONN.	1/2" Ø FPT	75-100 MBH - 1/2" Ø NPT	1 3/8" Ø	N/A

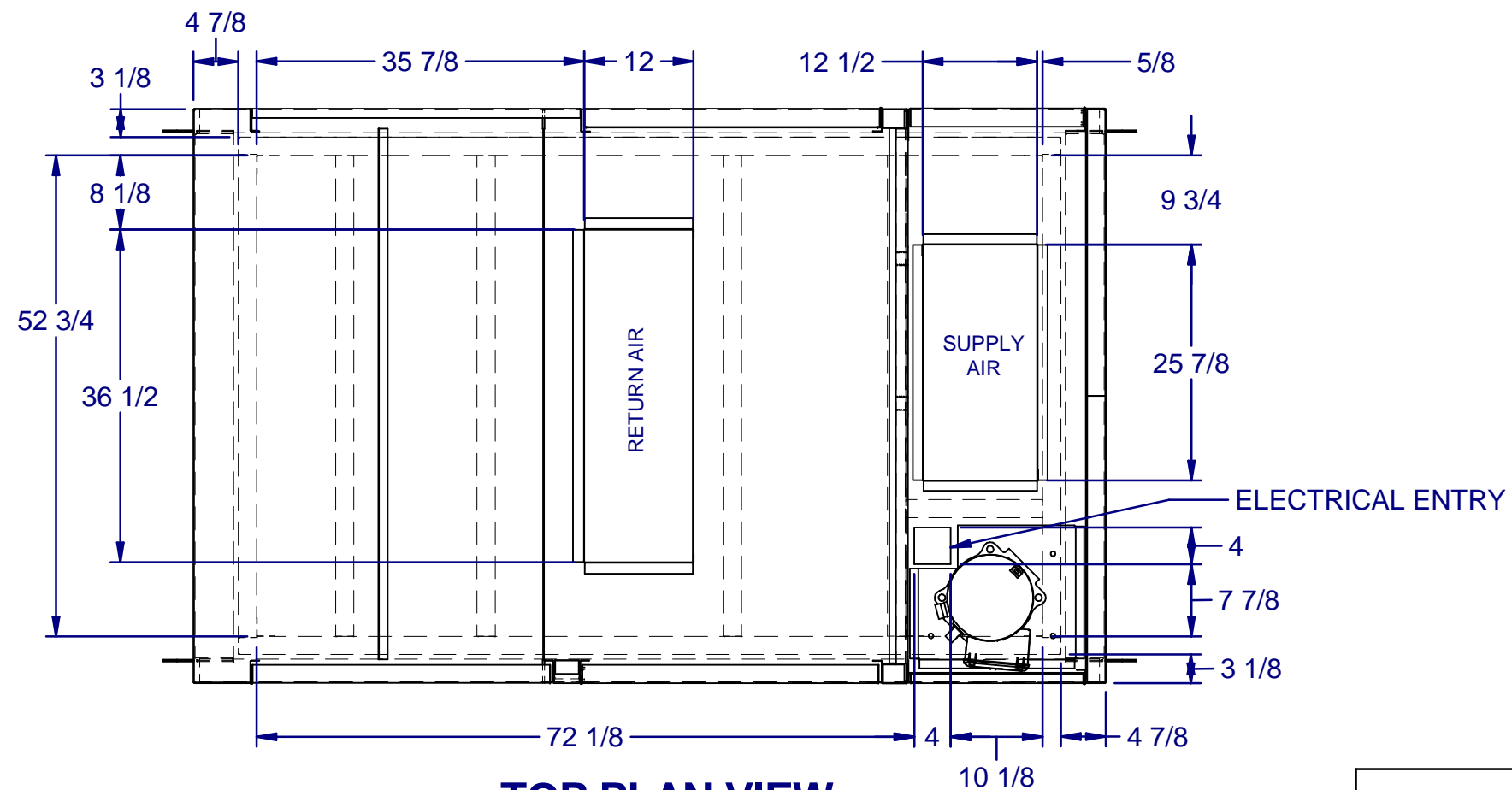
DRAWING NUMBER: 05041-2471	12/21/2015
TITLE: PR F A CAB	1 OF 2



**FRONT VIEW**



**RIGHT VIEW**



**TOP PLAN VIEW**

DRAWING NUMBER: 05041-2471	12/21/2015
TITLE: PR F A CAB	2 OF 2