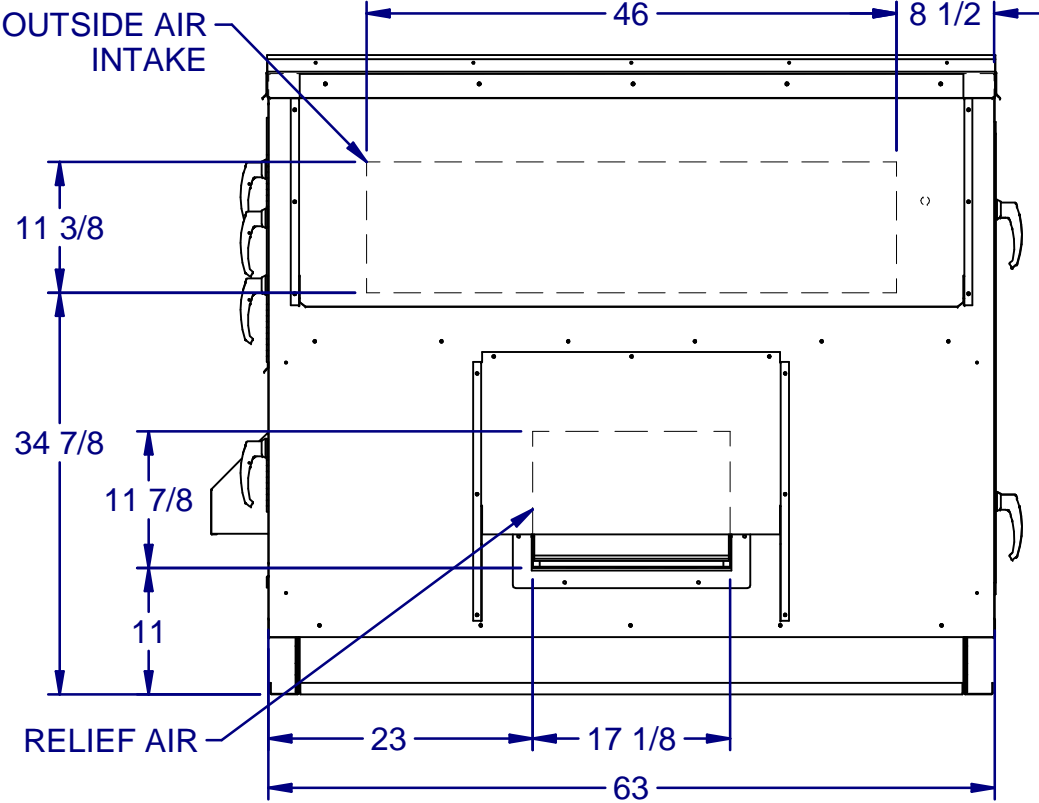
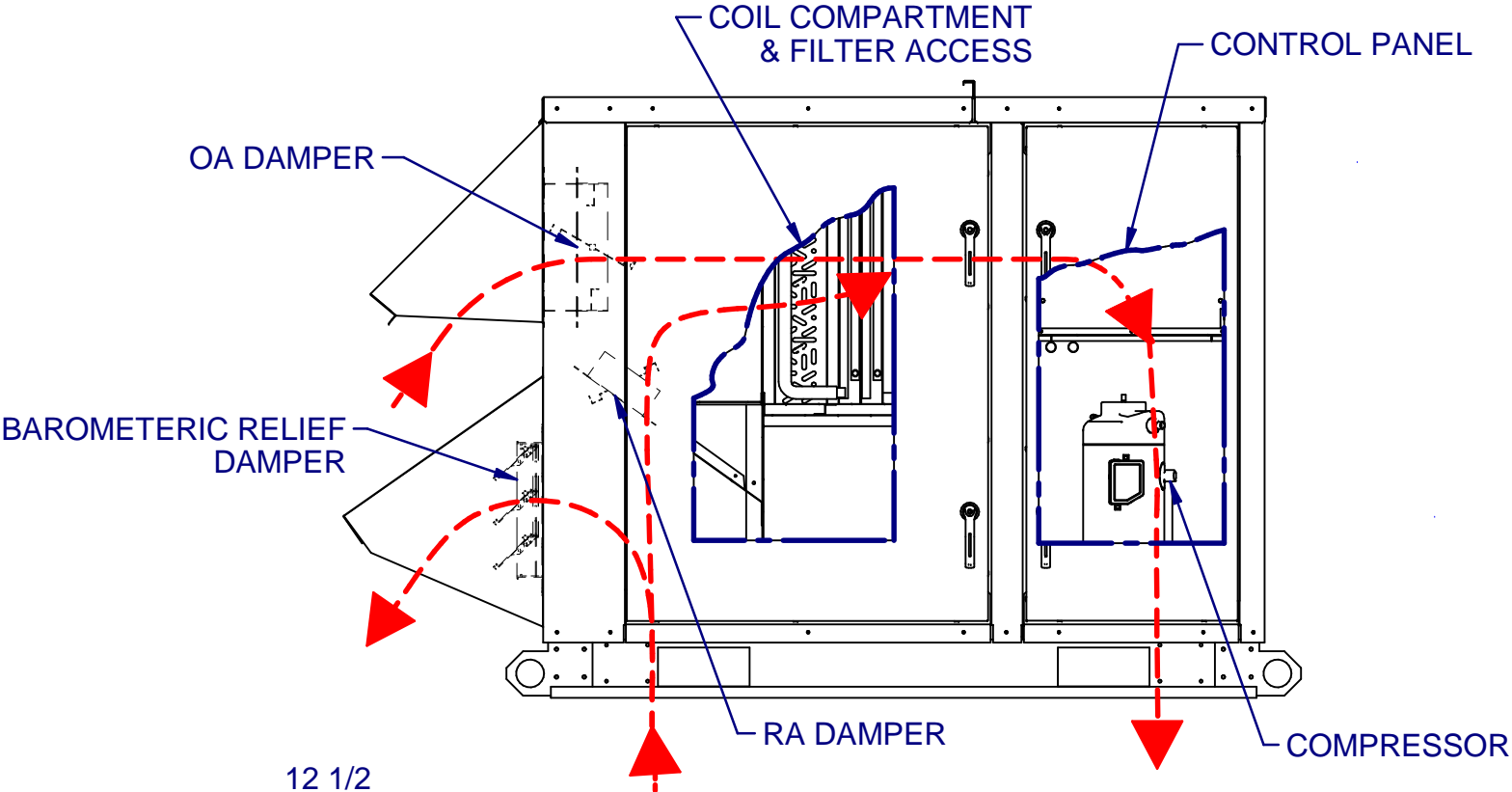


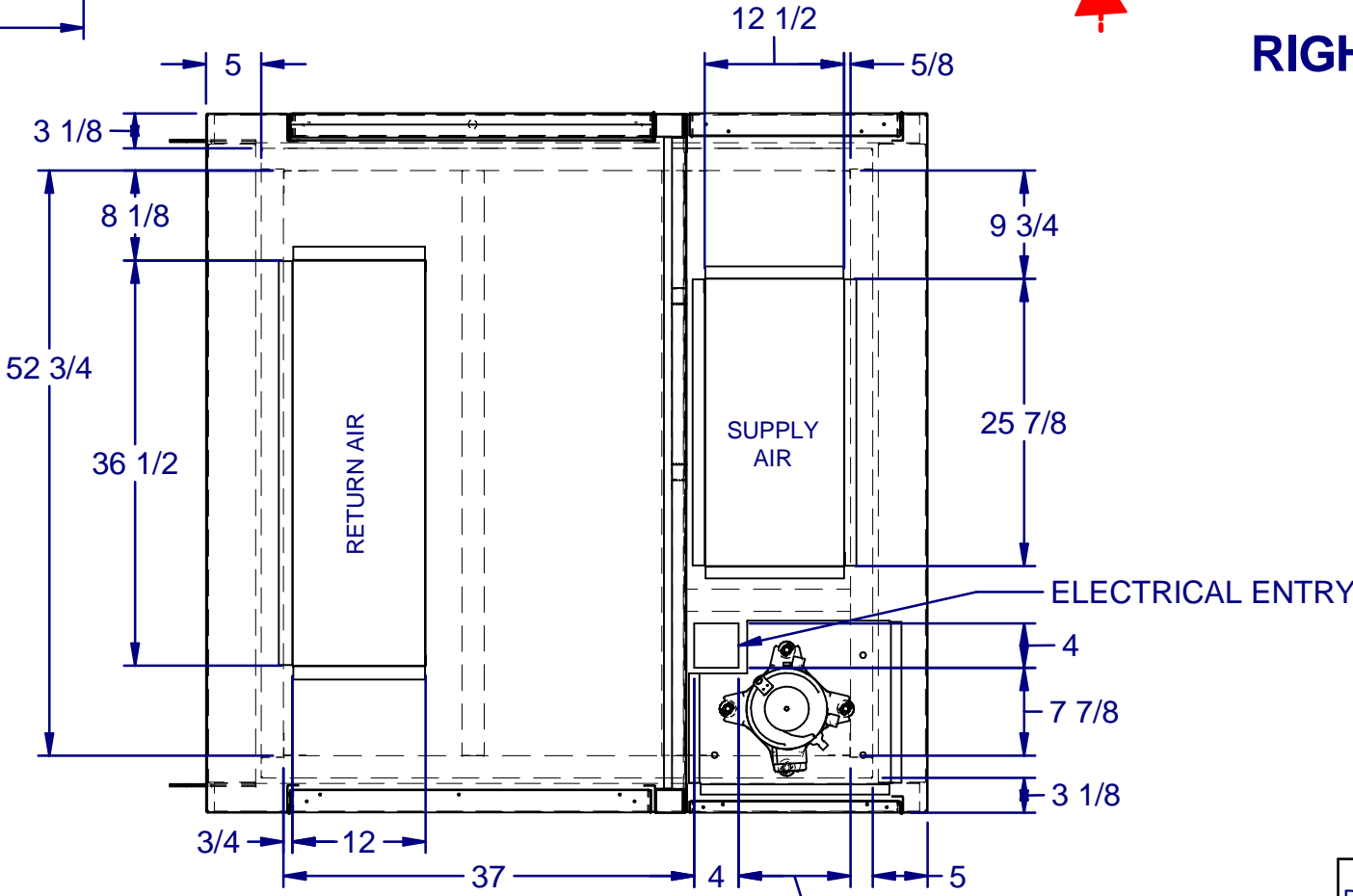
100% OUTSIDE AIR WITH RECIRCULATING OPTION OR MIXED AIR



FRONT VIEW



RIGHT VIEW



TOP PLAN VIEW

DRAWING NUMBER: 05041-2472-3	12/21/2015
TITLE: PR F A CAB NO EXH	1 OF 1