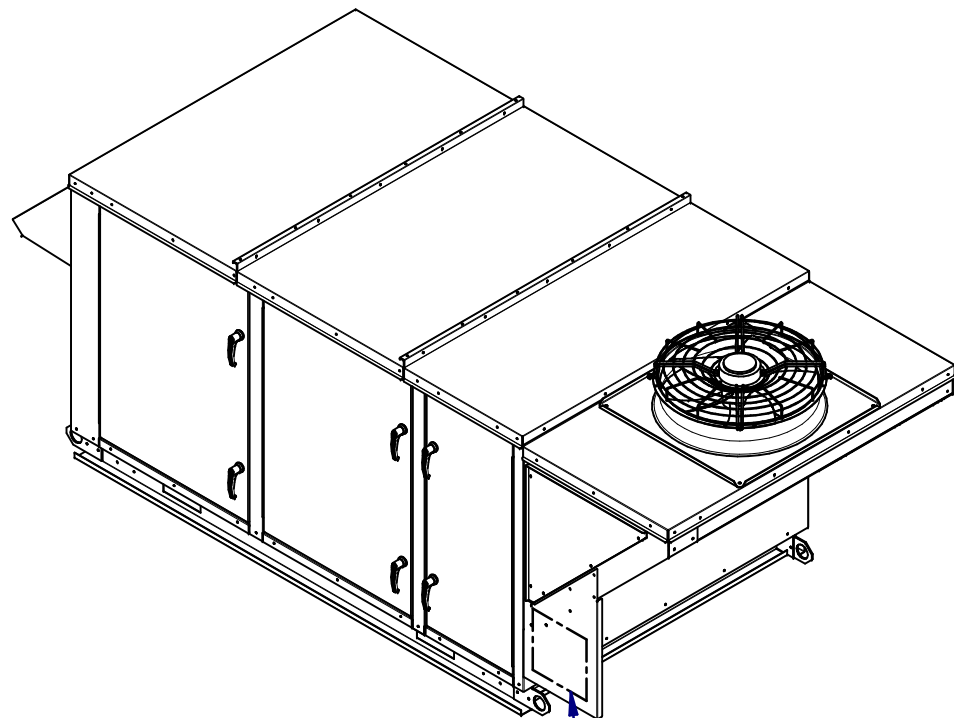
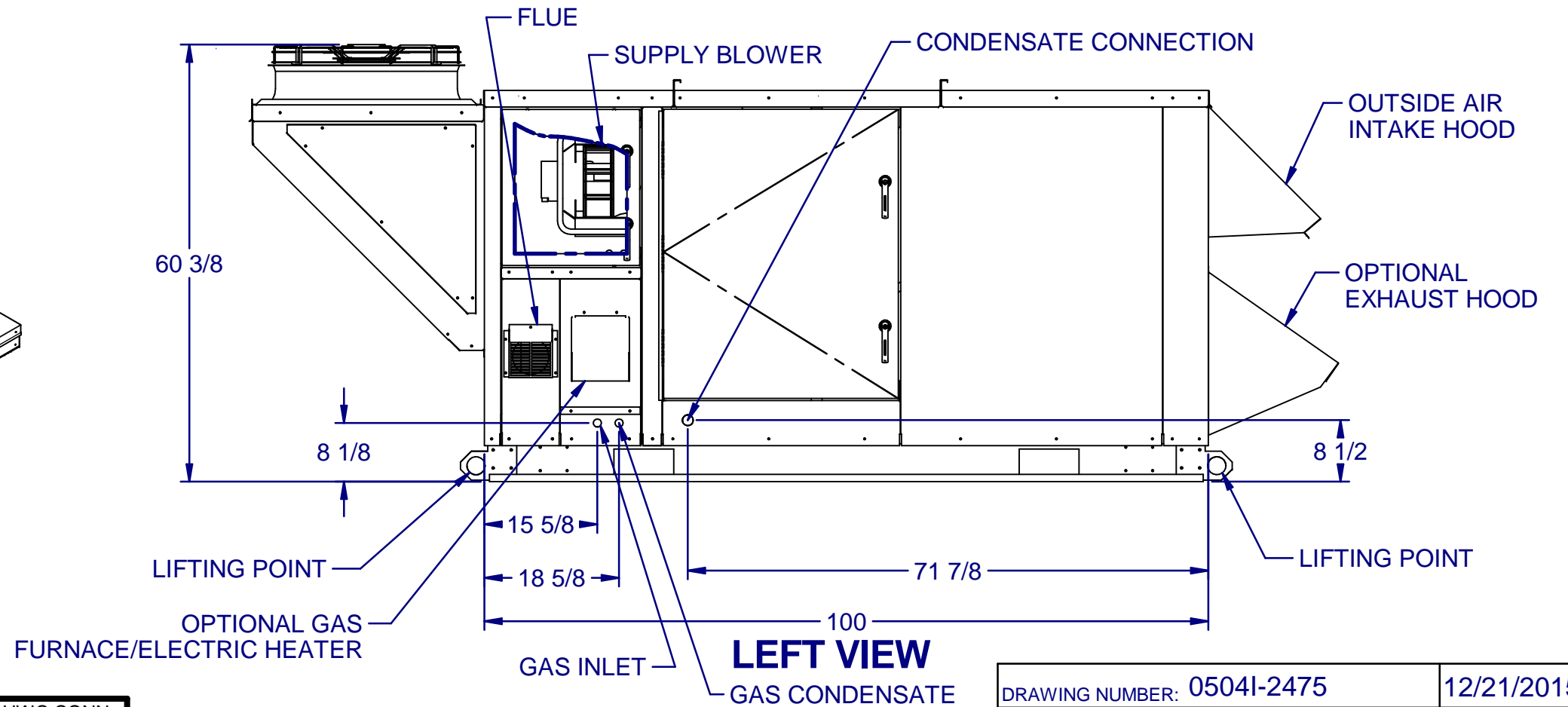


TOP VIEW



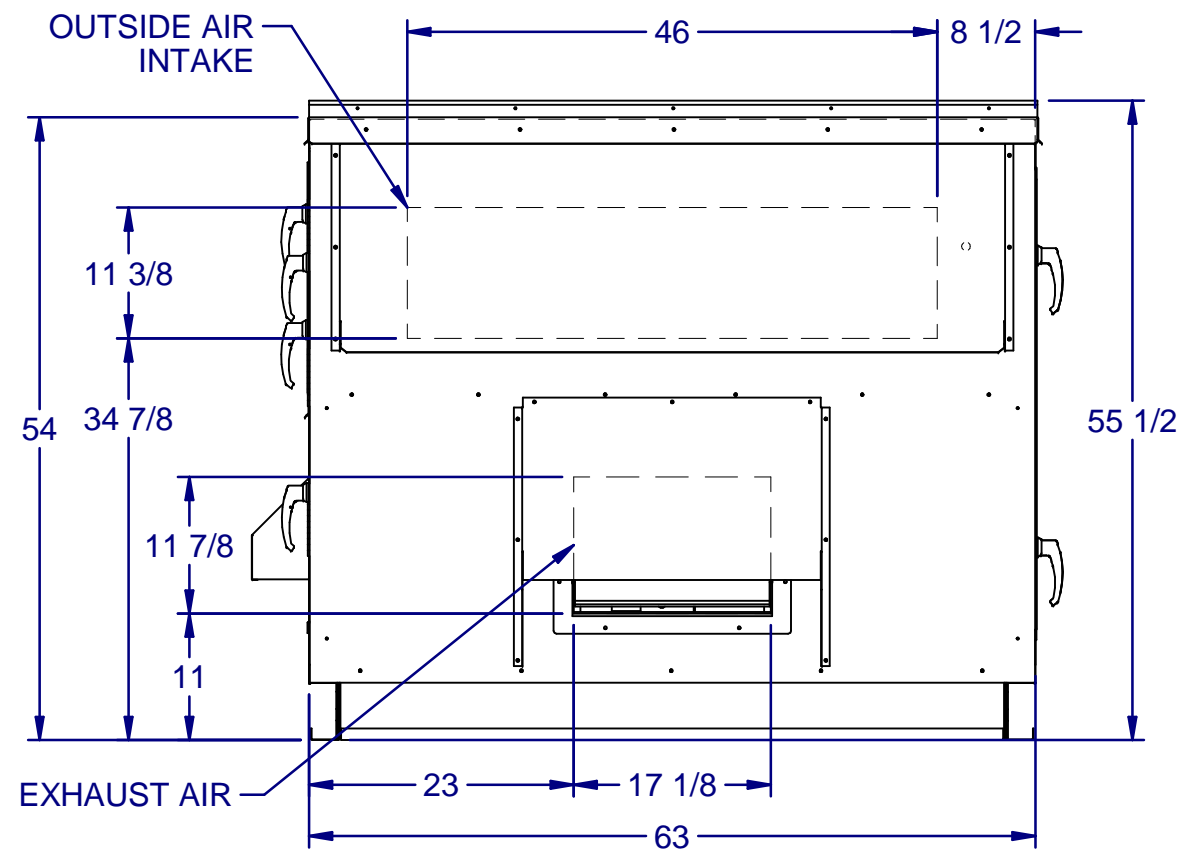
OPTIONAL DISCONNECT LOCATION



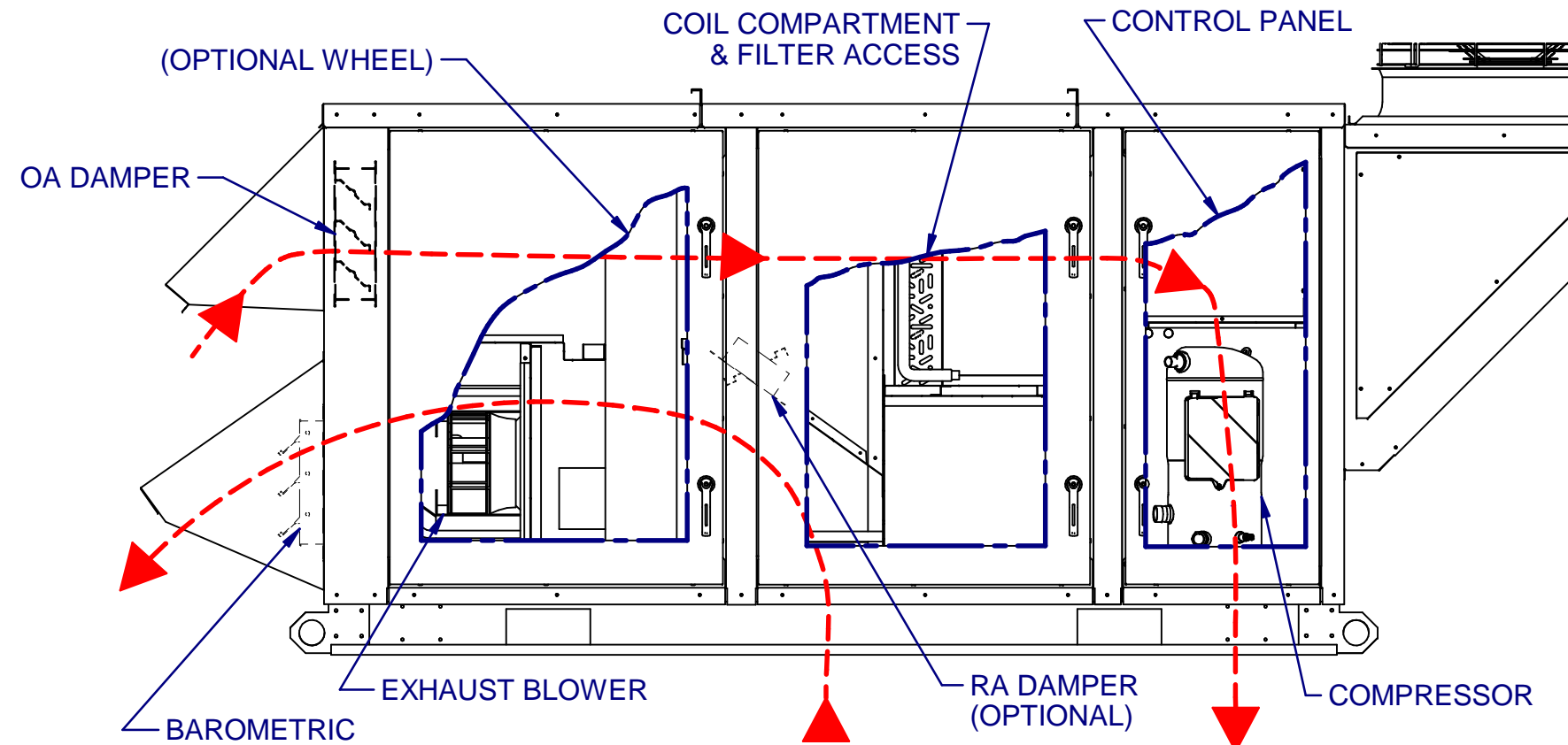
LEFT VIEW

| COND. CONN. | GAS COND. CONN. | GAS INLET CONN. | CWC CONN. | HWC CONN. |
|-------------------|-----------------|-------------------------|-----------|-----------|
| 3/4" Ø SLIP CONN. | 1/2" Ø FPT | 75-100 MBH - 1/2" Ø NPT | 1 3/8" Ø | N/A |

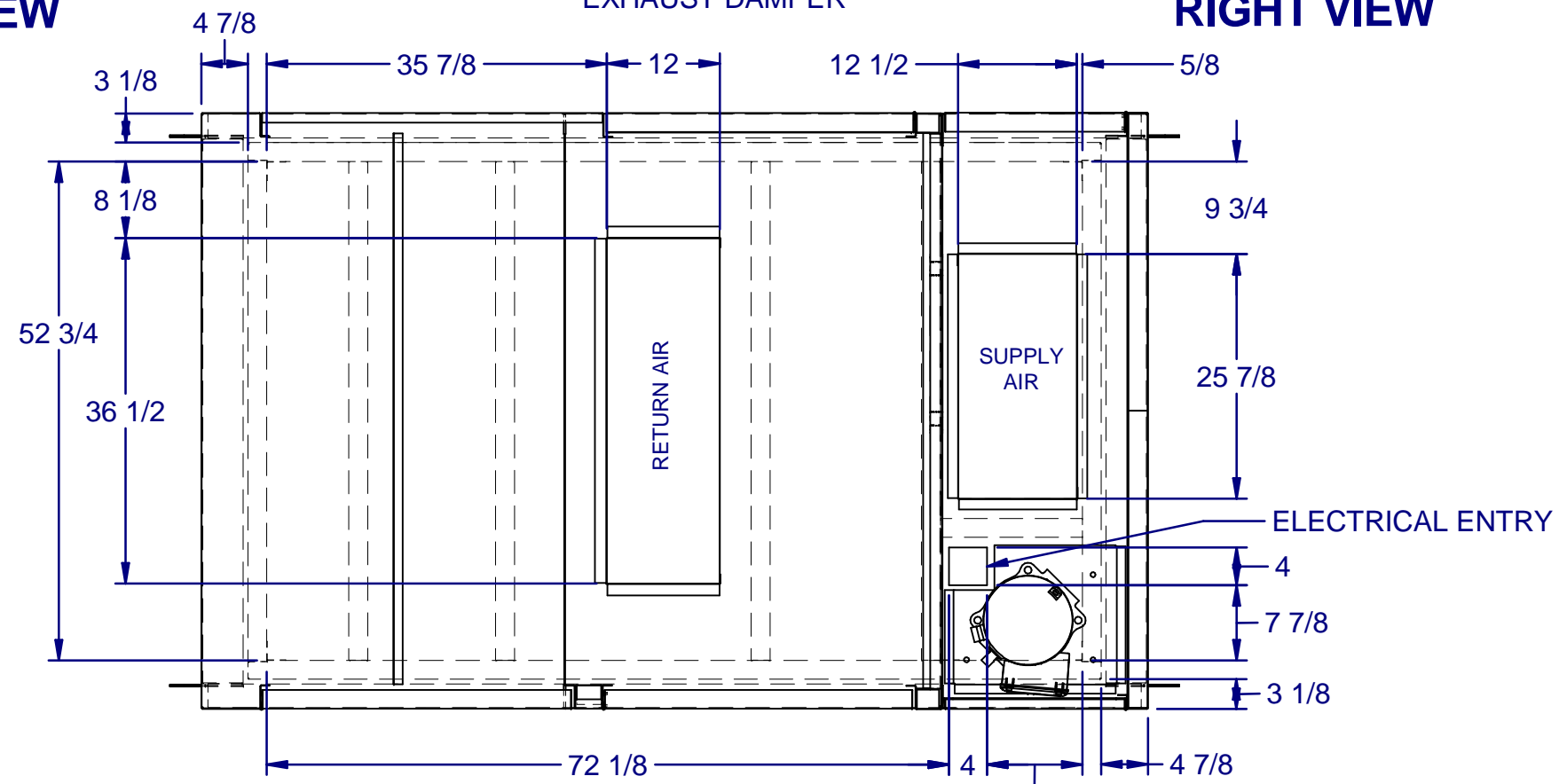
| | |
|----------------------------|------------|
| DRAWING NUMBER: 05041-2475 | 12/21/2015 |
| TITLE: PR A1 CAB | 1 OF 2 |



FRONT VIEW



RIGHT VIEW



**TOP PLAN VIEW
CONDENSING SIDE
NOT SHOWN**

| | |
|----------------------------|------------|
| DRAWING NUMBER: 05041-2475 | 12/21/2015 |
| TITLE: PR A1 CAB | 2 OF 2 |