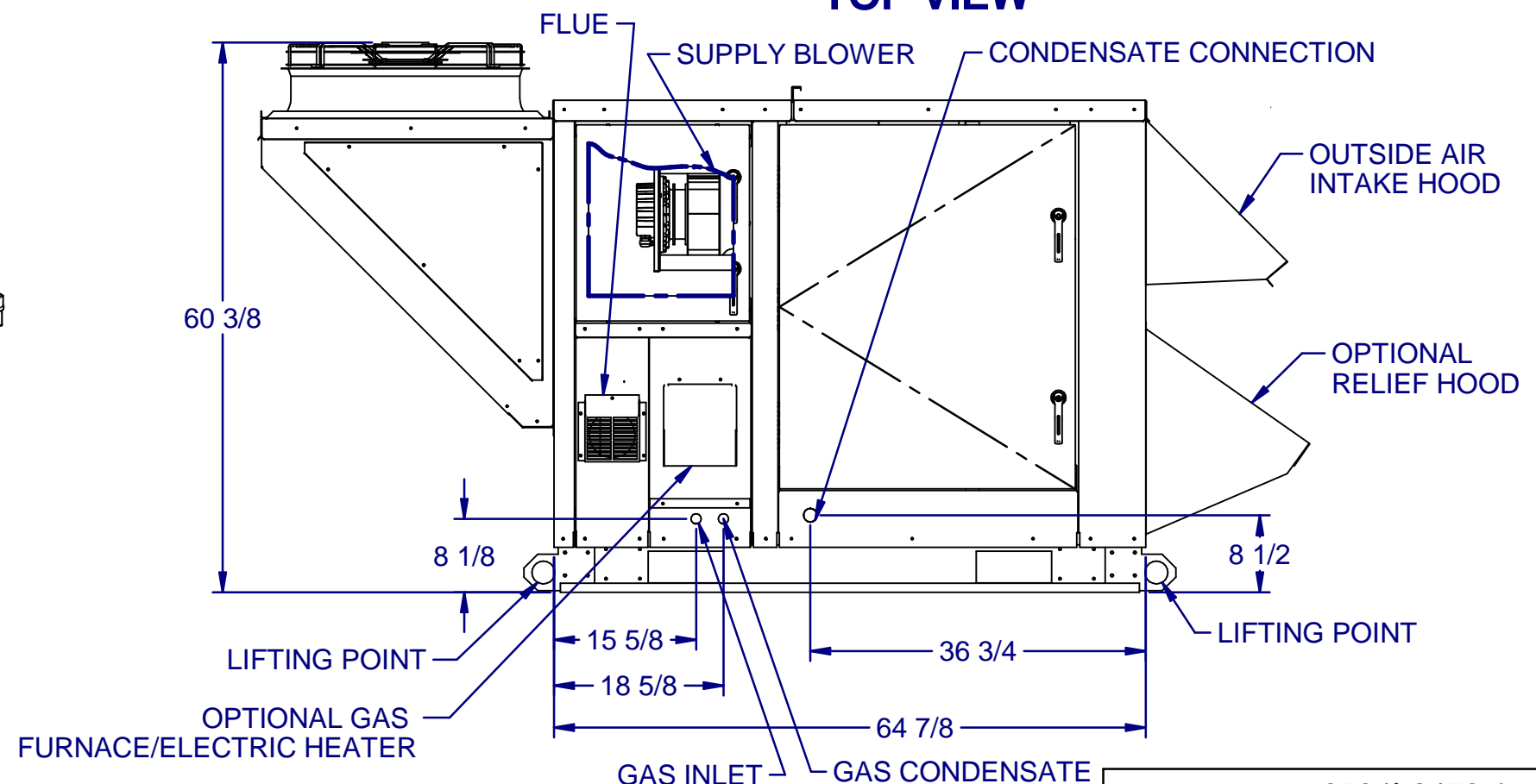


OPTIONAL DISCONNECT LOCATION



COND. CONN.	GAS COND. CONN.	GAS INLET CONN.	CWC CONN.	HWC CONN.
3/4" Ø SLIP CONN.	1/2" Ø FPT	75-100 MBH - 1/2" Ø NPT	1 3/8" Ø	N/A

DRAWING NUMBER: 05041-2476-1	12/21/2015
TITLE: PR A1 CAB NO EXH	1 OF 1